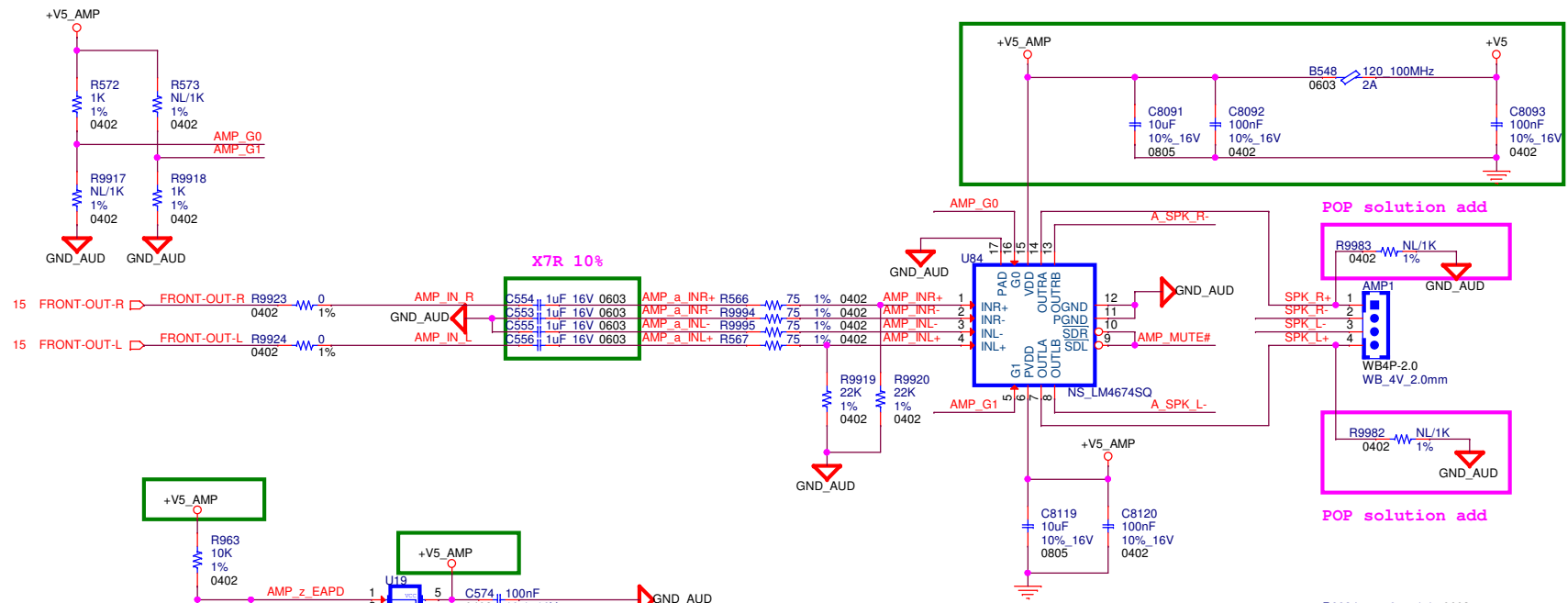


Amplifier



MUTE

