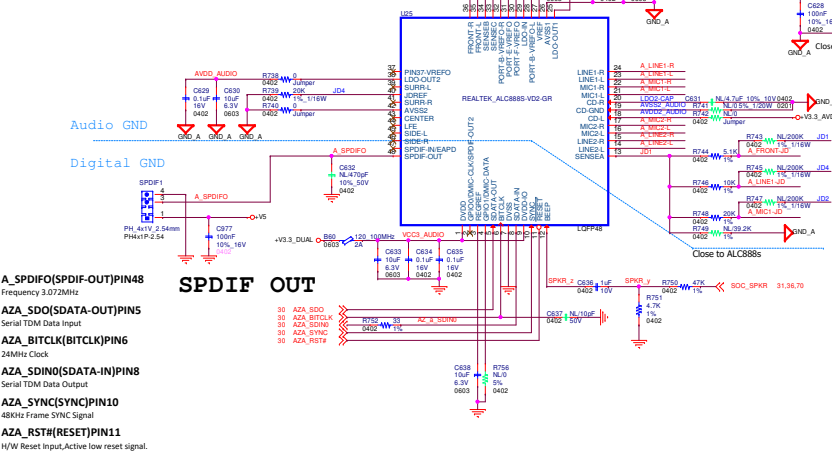


ALC888s/ALC897/Audio Jack/AMP

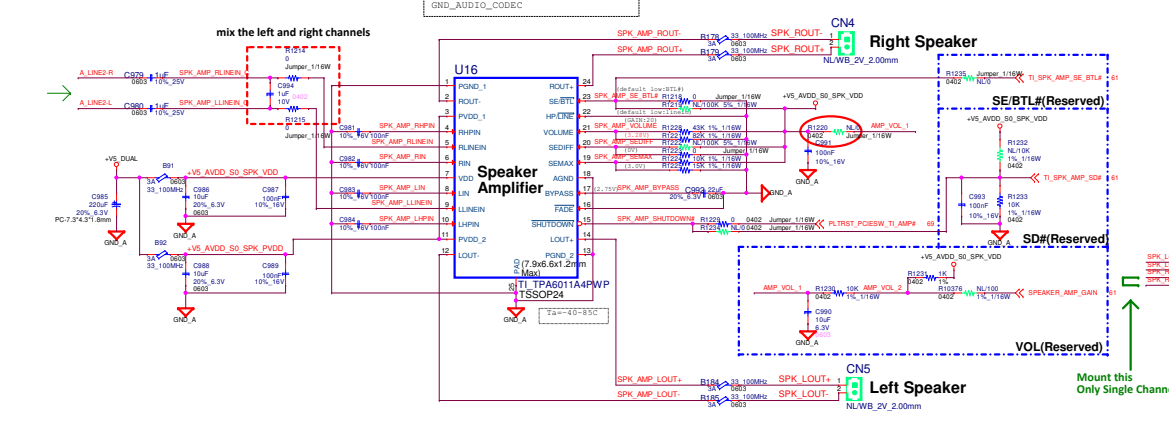
SENSE A(JD1)PIN13
Jack Detect for Resistor Network
Connector(5.1K,10K,20K,39.2K)with 1% accuracy

SENSE B(JD2)PIN34
Jack Detect for Resistor Network
Connector(5.1K,10K,20K,39.2K)with 1% accuracy

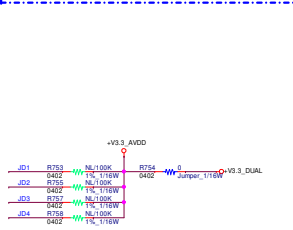
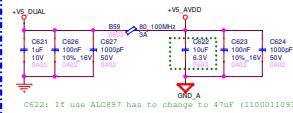
SENSE C(JD3)PIN33
Jack Detect for Resistor Network
Connector(5.1K,10K,20K,39.2K)with 1% accuracy



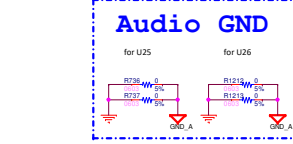
AMP_TI_TPA6011A4PWP



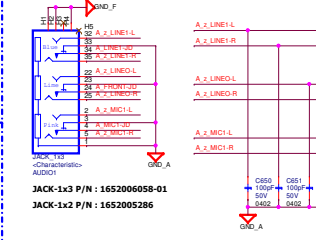
Audio Power



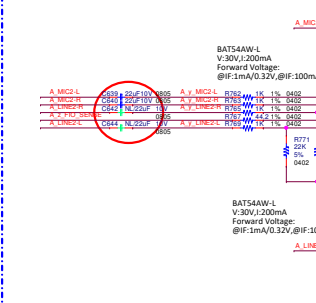
Full-Scale Input Voltage
All inputs(Gain=0dB) to ADC1.5Vrms(Typ)
SOC_SPKR(BEEP)PIN12
Analog Input 1.0Vrms of full-scale input



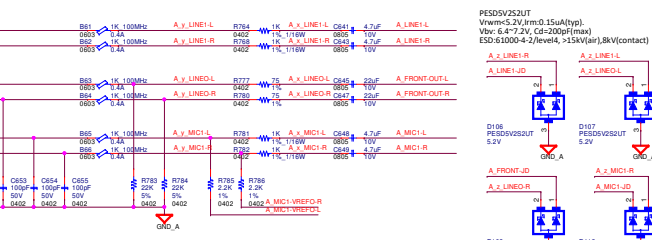
Audio Jack



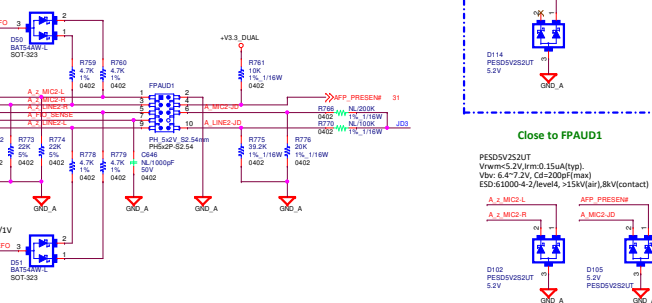
Front I/O CONN.



Close to AUDIO1



Close to FPAUD1



Power Rating

PACKAGE	T _a = 25 °C		DERATING FACTOR ABOVE T _a = 25 °C		T _a = 70 °C		T _a = 85 °C	
	POWER RATING	FWD	POWER RATING	FWD	POWER RATING	FWD	POWER RATING	FWD
FWP	2.7 mW	2.1 mW	21.8 mW	1.7 W	1.4 W			

DC Volume Table

Table 1. DC Volume Control (BTL Mode, V _{DD} = 5 V) ⁽¹⁾			GAIN OF AMPLIFIER (FWD)
FROM (V)	TO (V)	ΔV	
0.00	0.25	0.25	-85 ⁽²⁾
0.25	0.37	0.12	-40
0.44	0.48	0.04	-38
0.56	0.59	0.03	-30
0.67	0.70	0.03	-28
0.78	0.82	0.02	-32
0.89	0.93	0.04	-30
1.01	1.04	0.03	-28
1.16	1.16	0.00	-28
1.32	1.38	0.06	-22
1.46	1.47	0.01	-28
1.58	1.60	0.02	-30
1.66	1.72	0.06	-18
1.79	1.83	0.04	-14
1.91	1.94	0.03	-12
2.02	2.06	0.04	-10
2.13	2.17	0.04	-8
2.26	2.28	0.02	-6 ⁽¹⁾
2.39	2.39	0.00	-4
2.47	2.50	0.03	4
2.58	2.61	0.03	6
2.70	2.73	0.03	8
2.82	2.85	0.03	10
2.94	2.96	0.02	12
3.02	3.17	0.15	10
3.20	3.20	0.00	12
3.38	3.40	0.02	14
3.49	3.51	0.02	16
3.60	3.63	0.03	18
3.71	3.90	0.19	20 ⁽²⁾

(1) For other values of V_{DD}, scale the voltage values in the table by a factor of V_{DD}/5.
(2) Tested in production. Manufacturing gain steps are specified by design.

OS Control

57_AUDIO_ALC888/ALC897

Doc No: U5M-500_12TH

Rev: R10-1

Issue: Friday, May 26, 2017

Page: 17 of 38