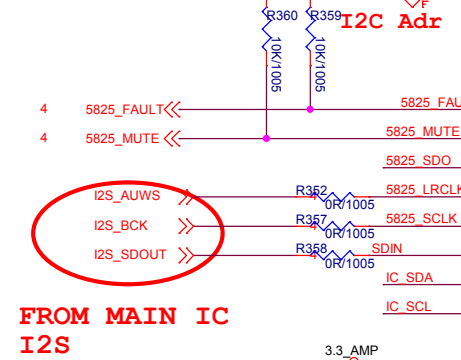
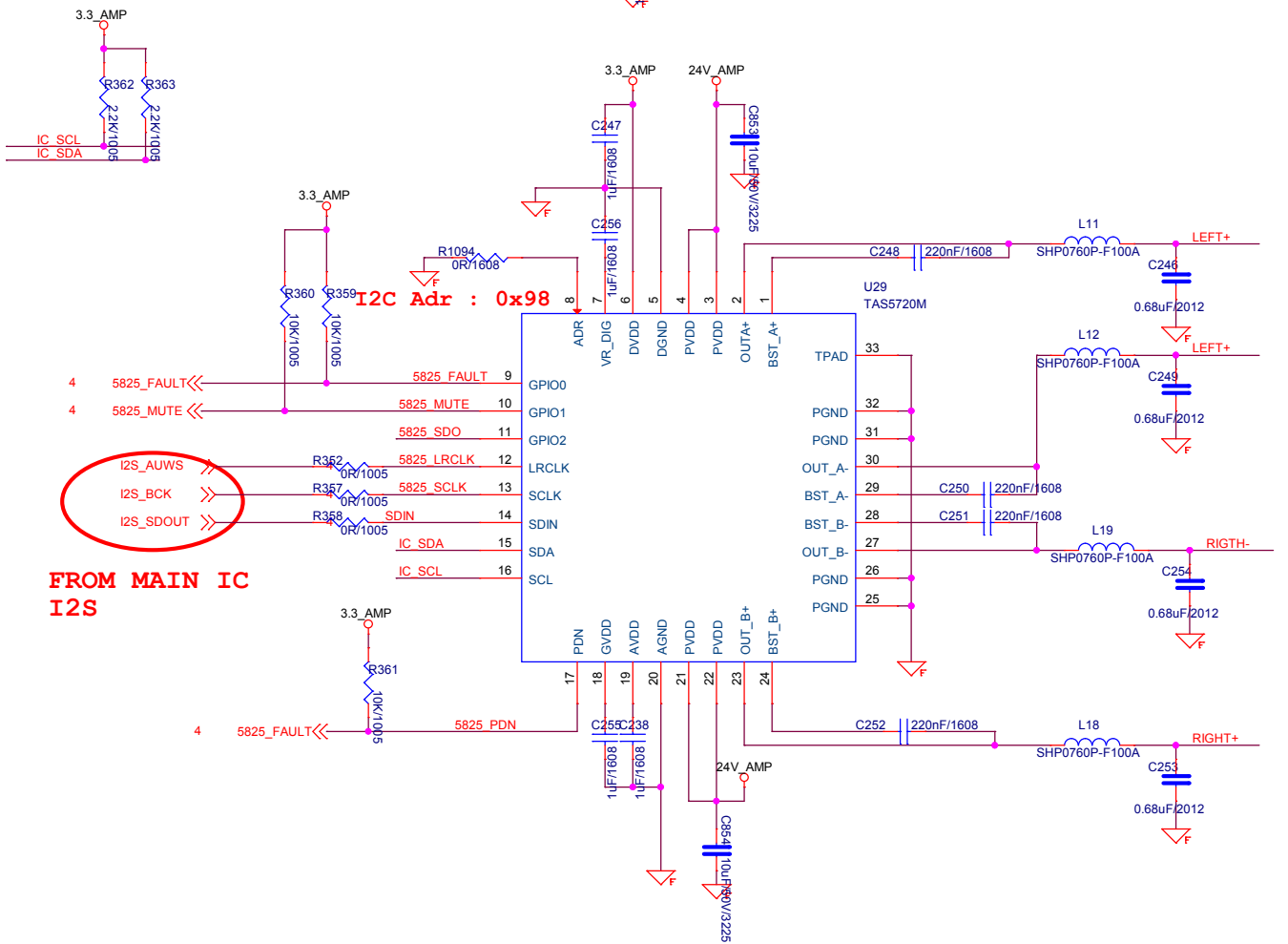
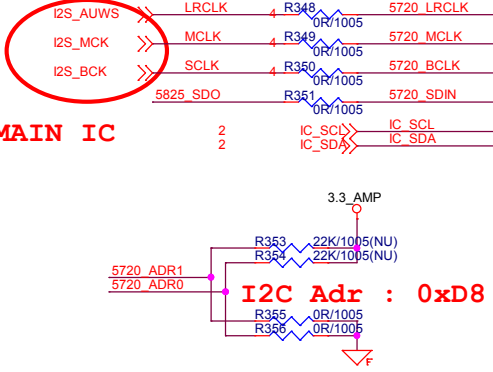


FROM MAIN IC  
I2S



FROM MAIN IC  
I2S

Title		<Title>
Size	Document Number	Rev
C	<Doc>	<RevCode>
Date:	Friday, August 25, 2023	Sheet 1 of 1