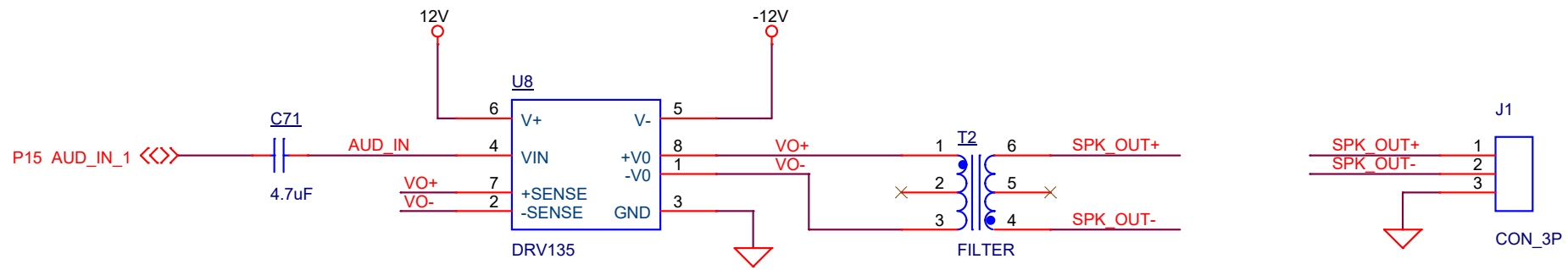


AUDIO DRIVER



Mono-out signal from Audio
codec passed through unity
gain power amplifier

DRV135UA/2K5

Nominal Impedance : 600 OHM
Turns Ratio : 1 : 1

TO EXTERNAL BOARD
THROUGH CABLE