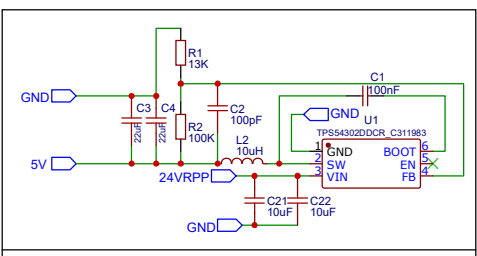
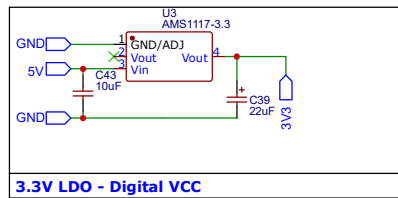


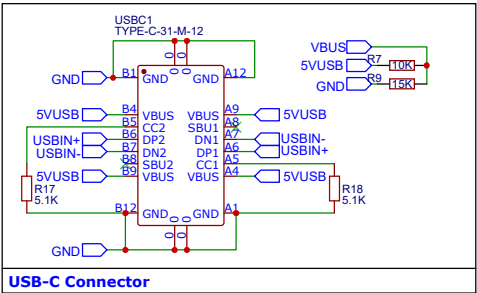
Power Inputs



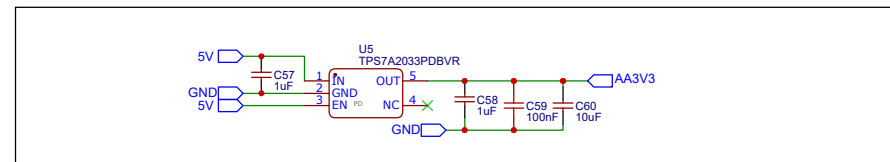
24V to 5V 1A SMPS



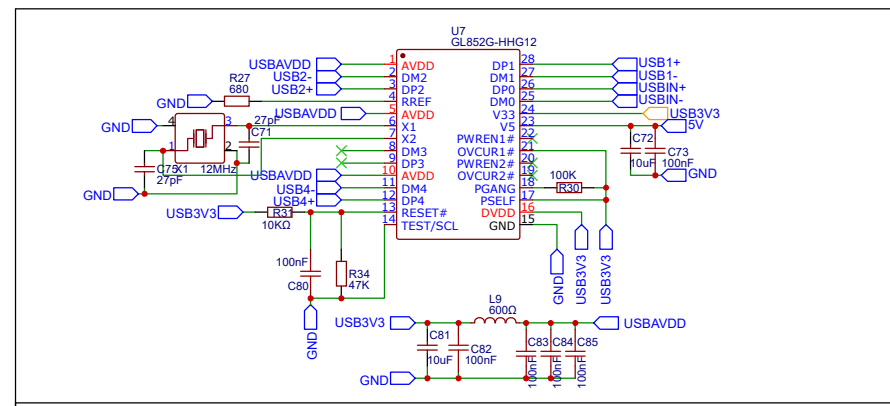
3.3V LDO - Digital VCC



USB-C Connector



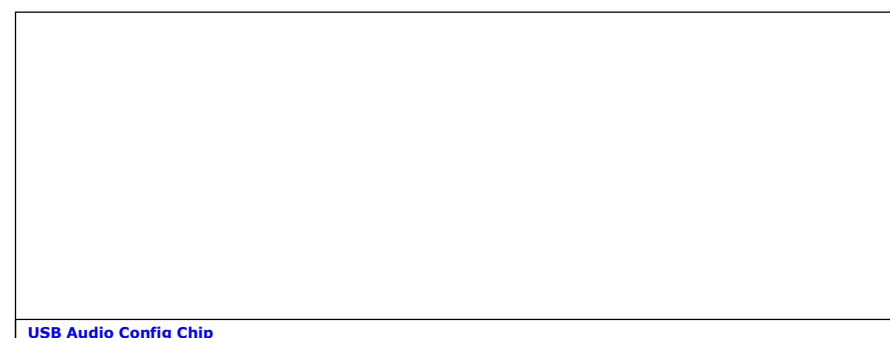
5D to 3.3V Ultra-low noise LDO



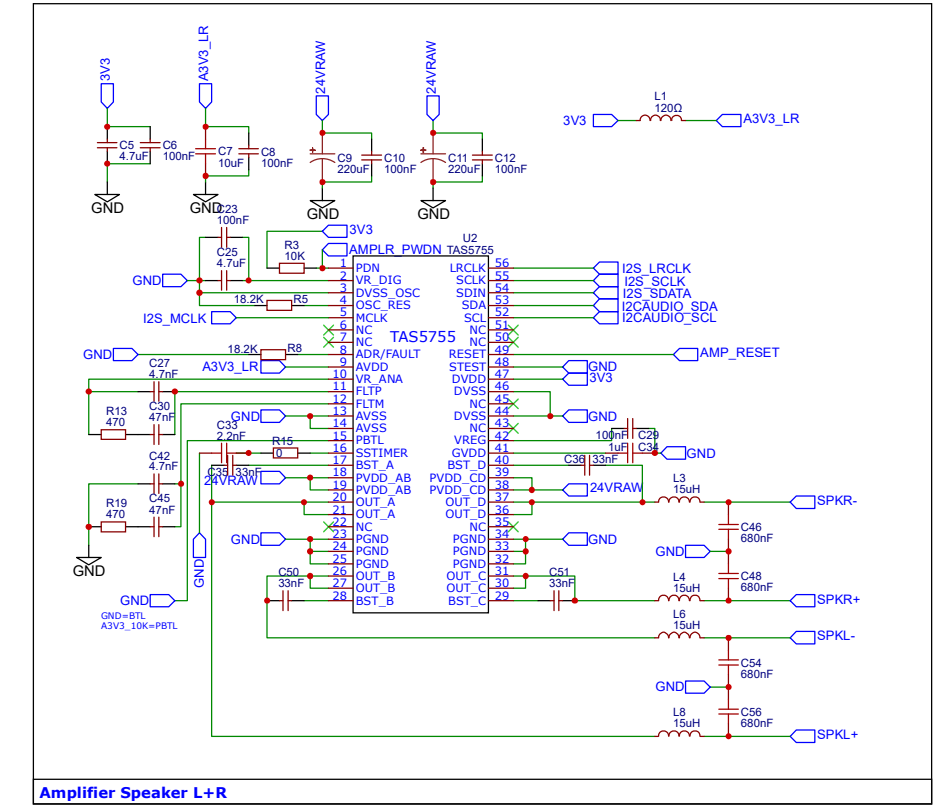
USB Hub



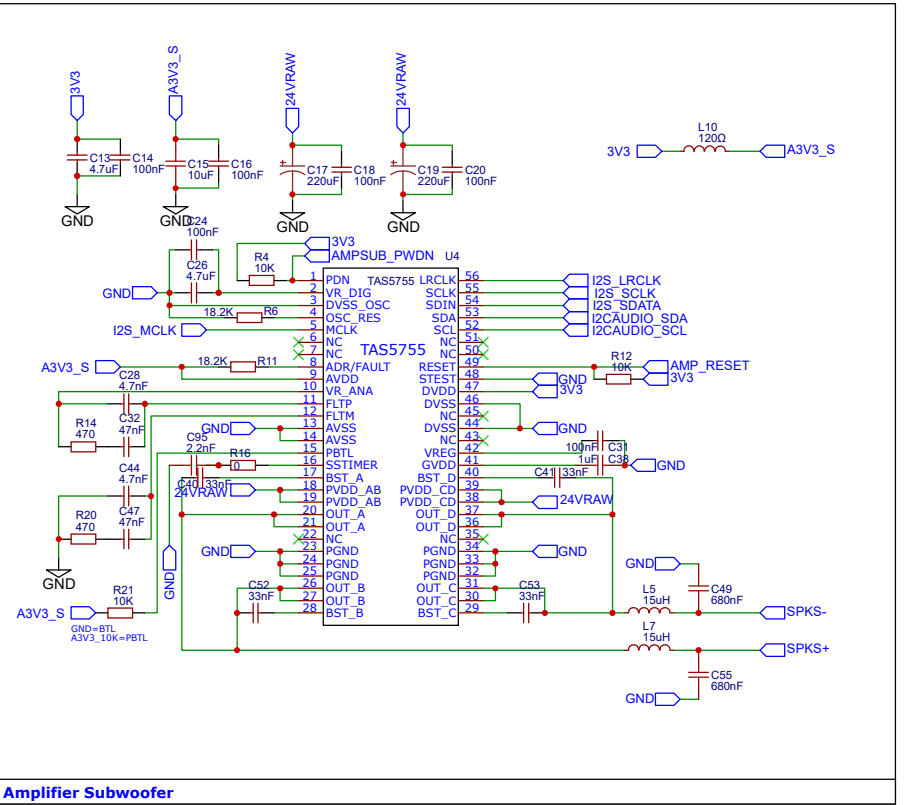
USB Audio



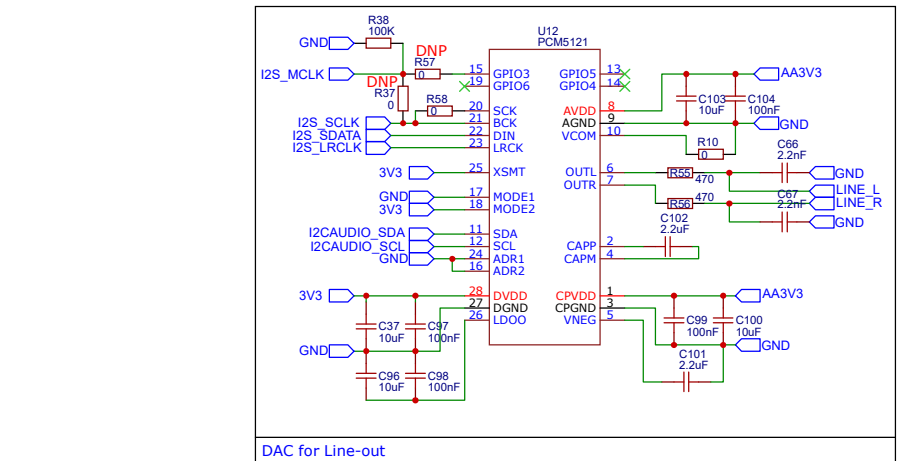
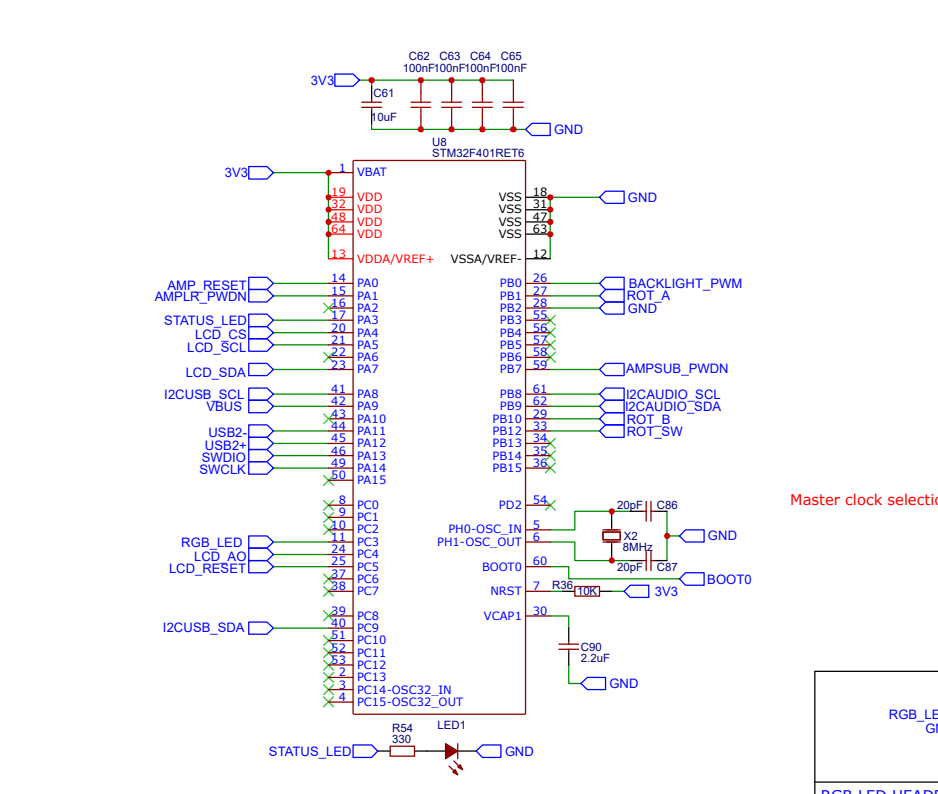
USB Audio Config Chip



Amplifier Speaker L+R

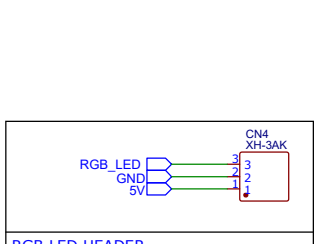


Amplifier Subwoofer

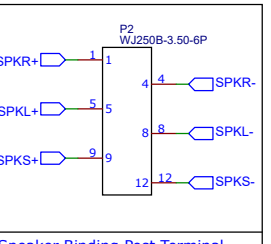


DAC for Line-out

Master clock selection. Either PD to ground, or BCLK



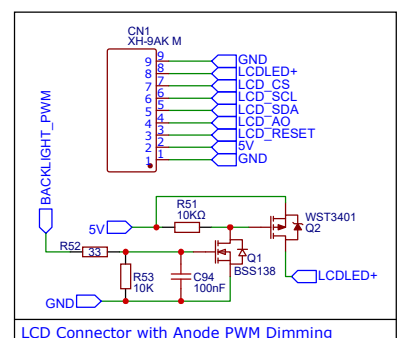
RGB LED HEADER



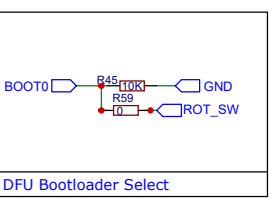
Speaker Binding Post Terminal

Add:
 Order:
 4-pin XH Housing - C442284
 Panel mount DC Socket - C319096
 Heatsink - C305996

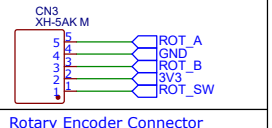
I2C Address:
 TAS5755 U2: 0011010 0x34
 TAS5755 U4: 0011011 0x36
 EPROM: 1010000 0xAD
 PCM5121: 1001100 0x98



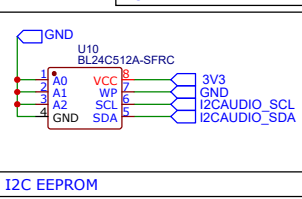
LCD Connector with Anode PWM Dimming



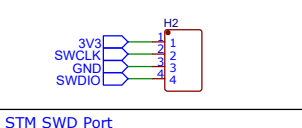
DFU Bootloader Select



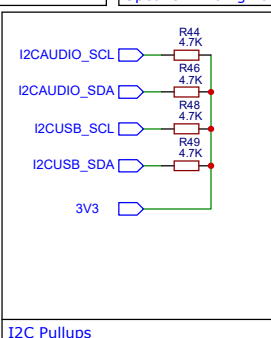
Rotary Encoder Connector



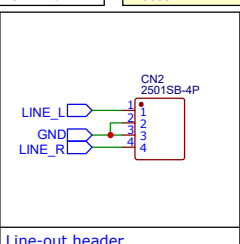
I2C EEPROM



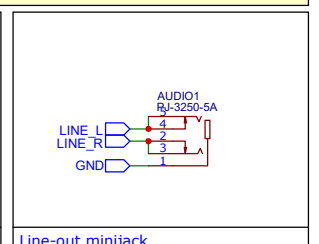
STM SWD Port



I2C Pullups



Line-out header



Line-out minijack