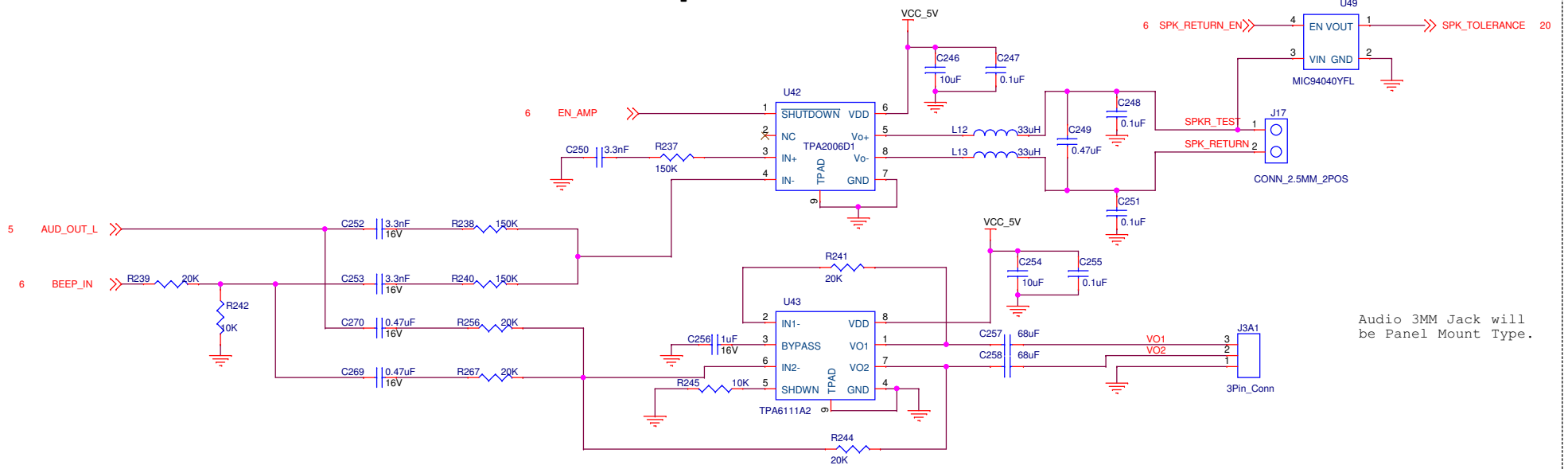


Audio Amplifier



Audio 3MM Jack will be Panel Mount Type.

Speaker Resistance Tolerance Verification Circuit

