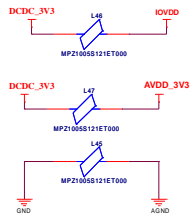
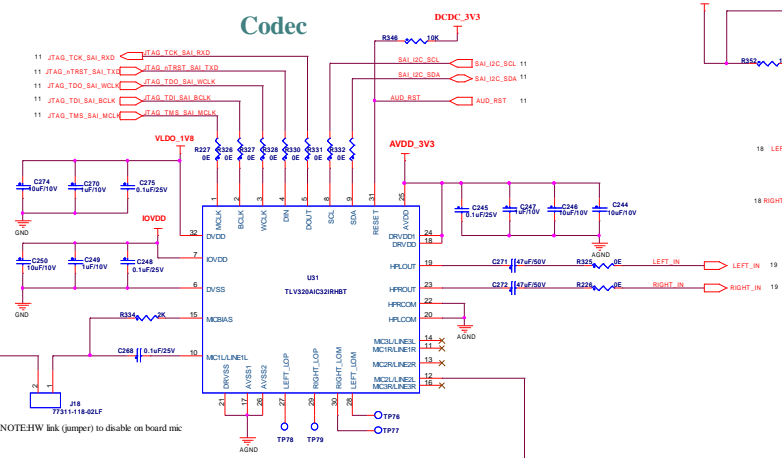


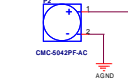
Audio Codec



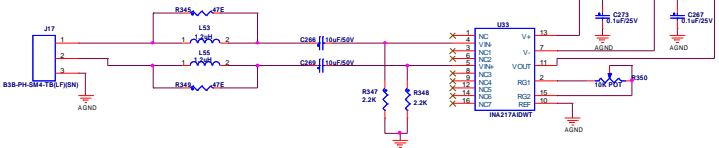
Codec



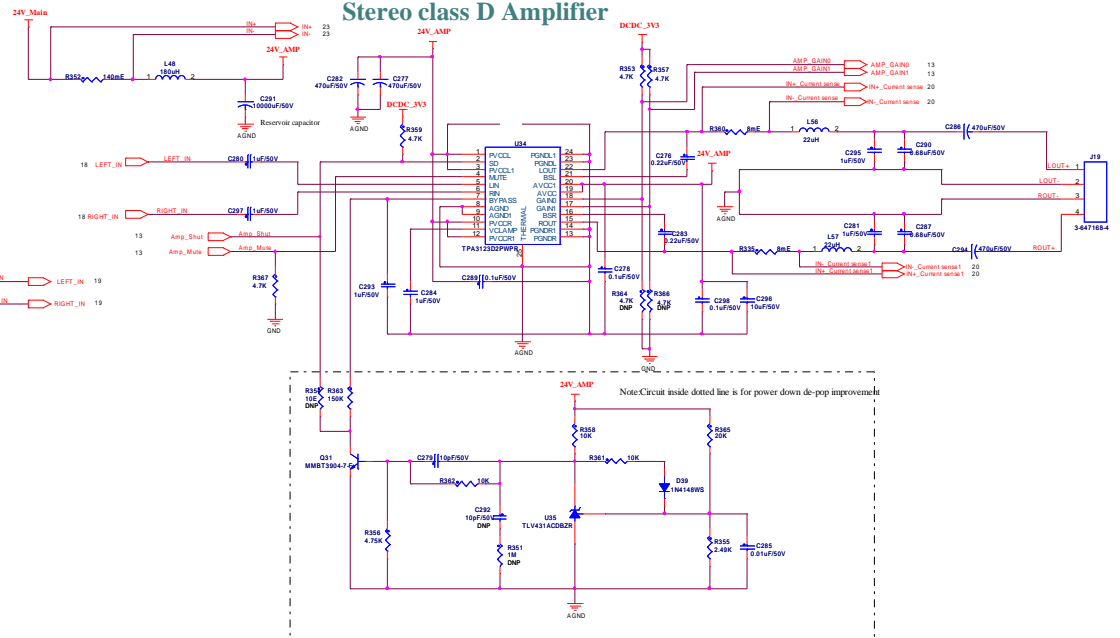
On Board MIC



Balanced Pre amplifier for Dynamic Microphone



Stereo class D Amplifier



Note: Circuit inside dotted line is for power down de-pop improvement