
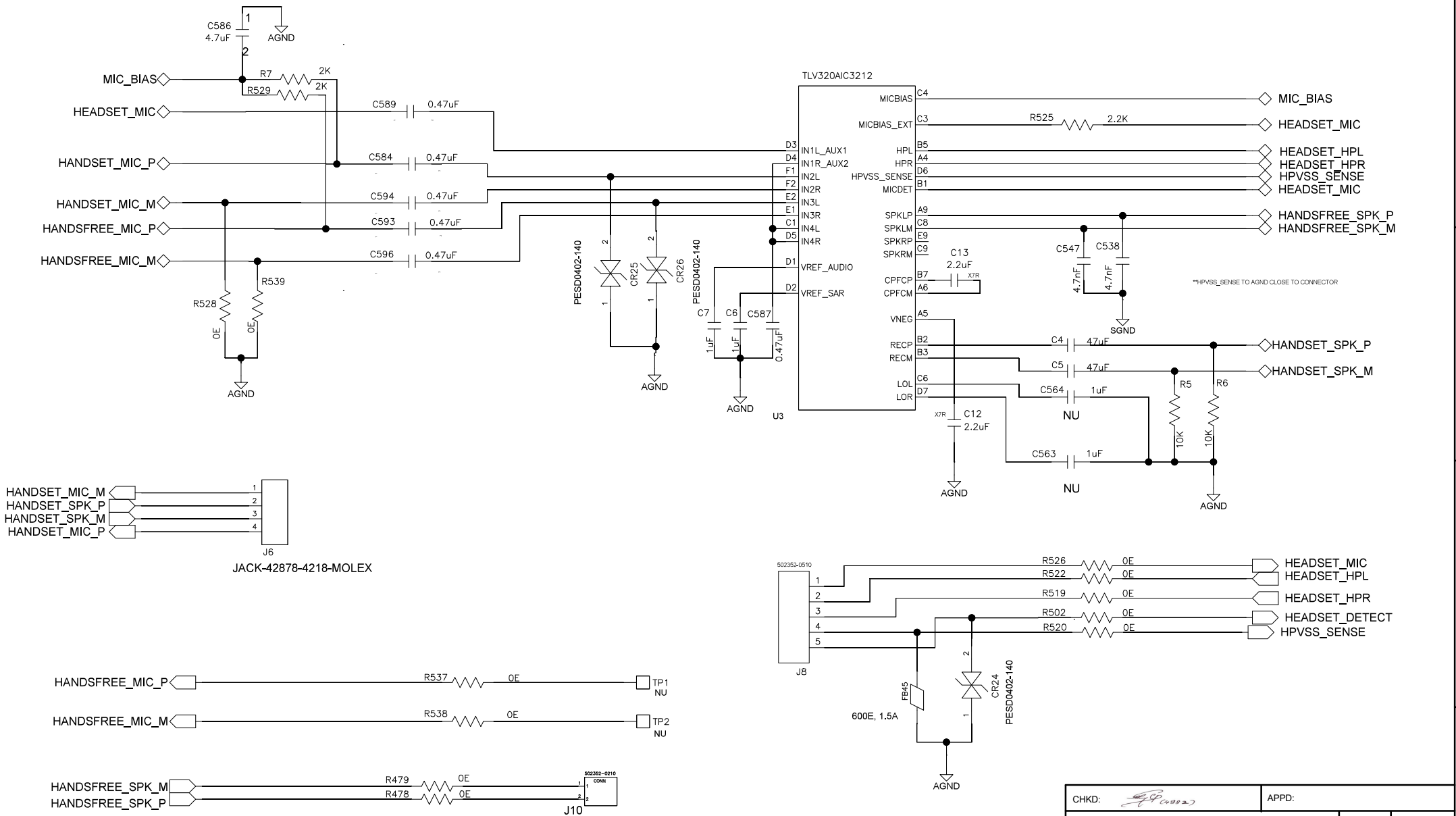



McASP INTERFACE

I2C ADDR: 0x18

CHKD: <i>[Signature]</i>	APPD:
VIDEO IP PHONE CONTROLLER CARD CIRCUIT SCHEMATICS	
ISSUE: 01	REV.: 01
DWG. No.: APC-VICQ42/D-SE1 (CS)	
 CENTRE FOR DEVELOPMENT OF TELEMATICS - BANGALORE	DATE: 30-11-2023
	SHEET 23 OF 42



ANALOG AUDIO INTERFACE

CHKD: <i>[Signature]</i>	APPD:
VIDEO IP PHONE CONTROLLER CARD CIRCUIT SCHEMATICS	
ISSUE: 01	REV.: 02
DWG. No.: APC-VICQ42/D-SE1 (CS)	
 CENTRE FOR DEVELOPMENT OF TELEMATICS - BANGALORE	
DATE: 30-11-2023	SHEET 24 OF 42