

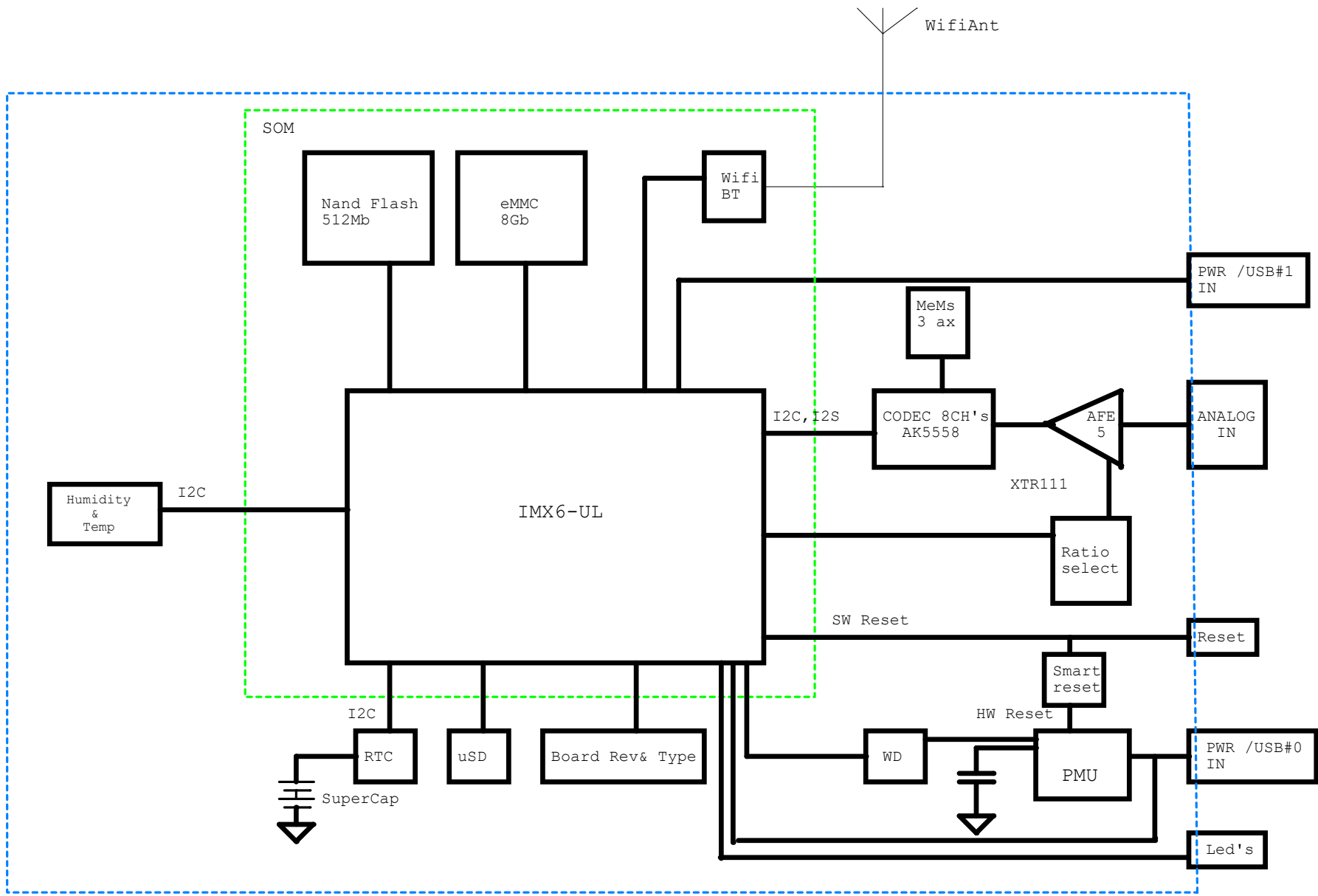
Table of Content

Page 1	00-COVER
Page 2	01-BLOCK DIAGRAM
Page 3	02-PS,HWD,SuperCaps,A2B,Leds
Page 4	03-SOM,JTAG
Page 5	04-VAR-SOM-6UL Connector
Page 6	05-uSD,USB, ETH,RTC.
Page 7	06-Btn,LED,DI,JTAG,BOOT,H&T,Rev
Page 8	07-PCM3168
Page 9	08-AnalogInput(IEPE)
Page 10	09-AnalogInput

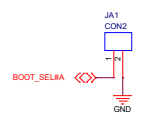
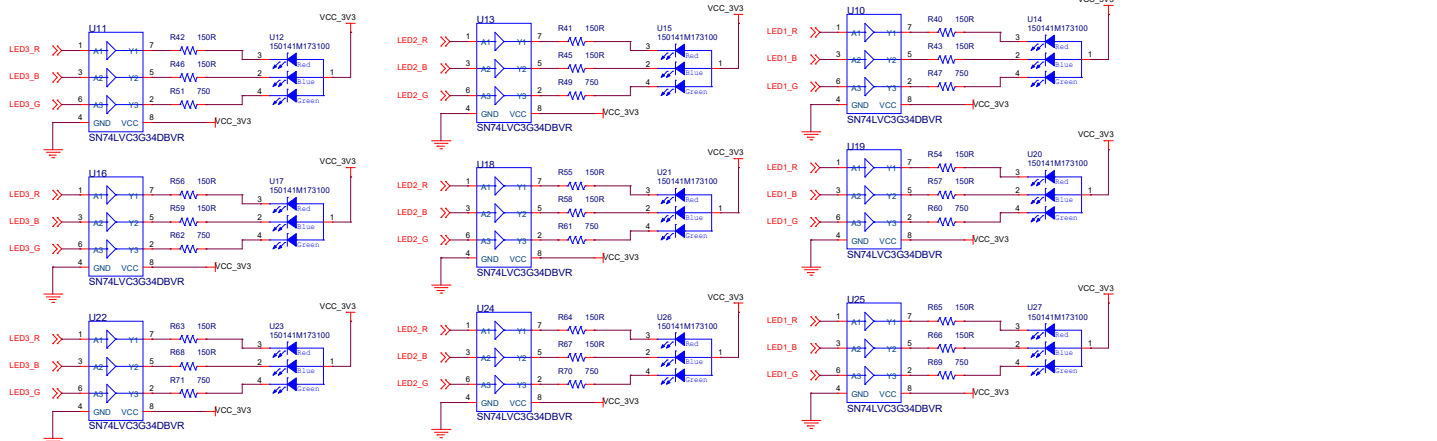
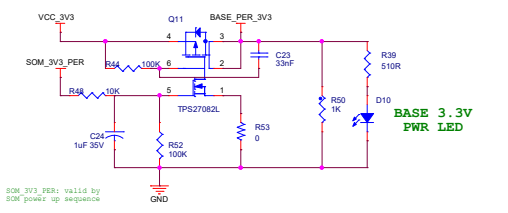
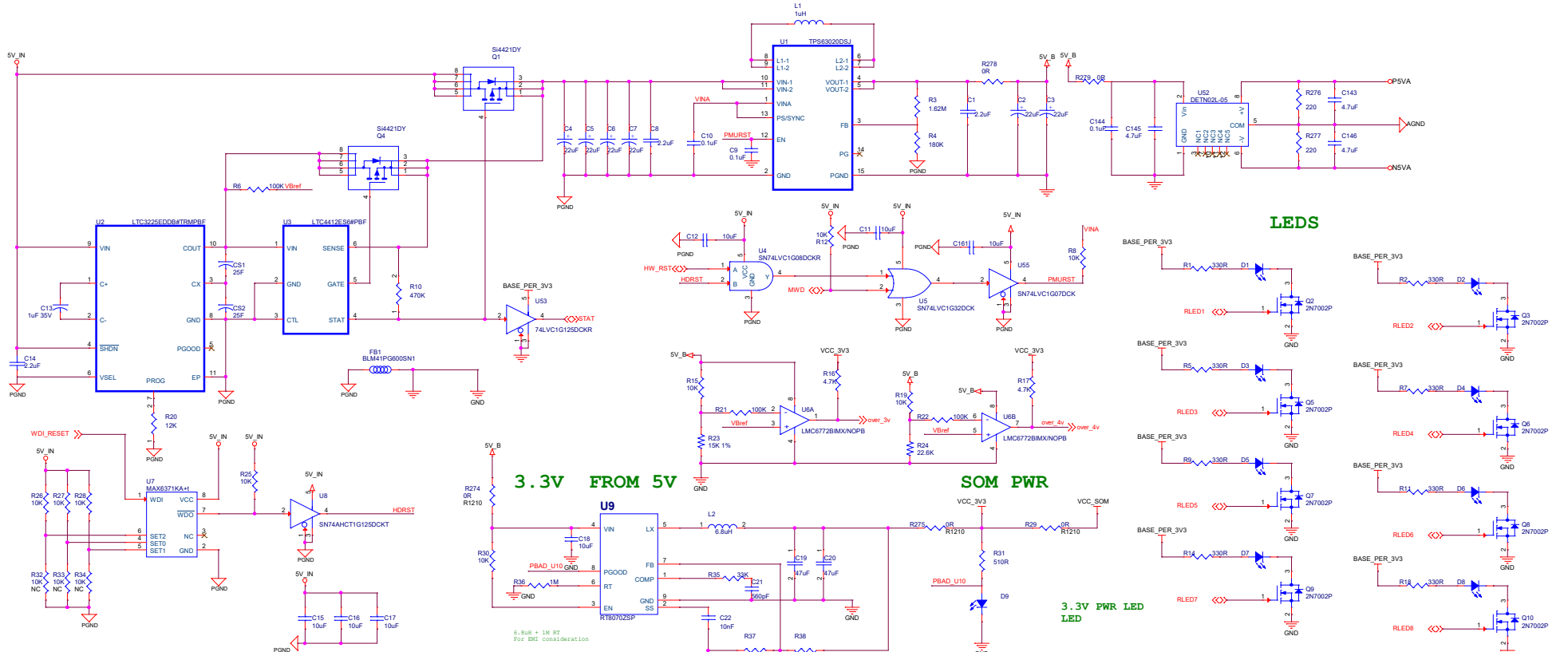
Revision History

Rev. Code	Date	By	Description
A1	2019-09-16	Tzadok	First draft
A2	2019-09-25	Tzadok	Add Ratio selcet,RTC and more.
A3	2019-10-06	Tzadok	Split to 2 cards

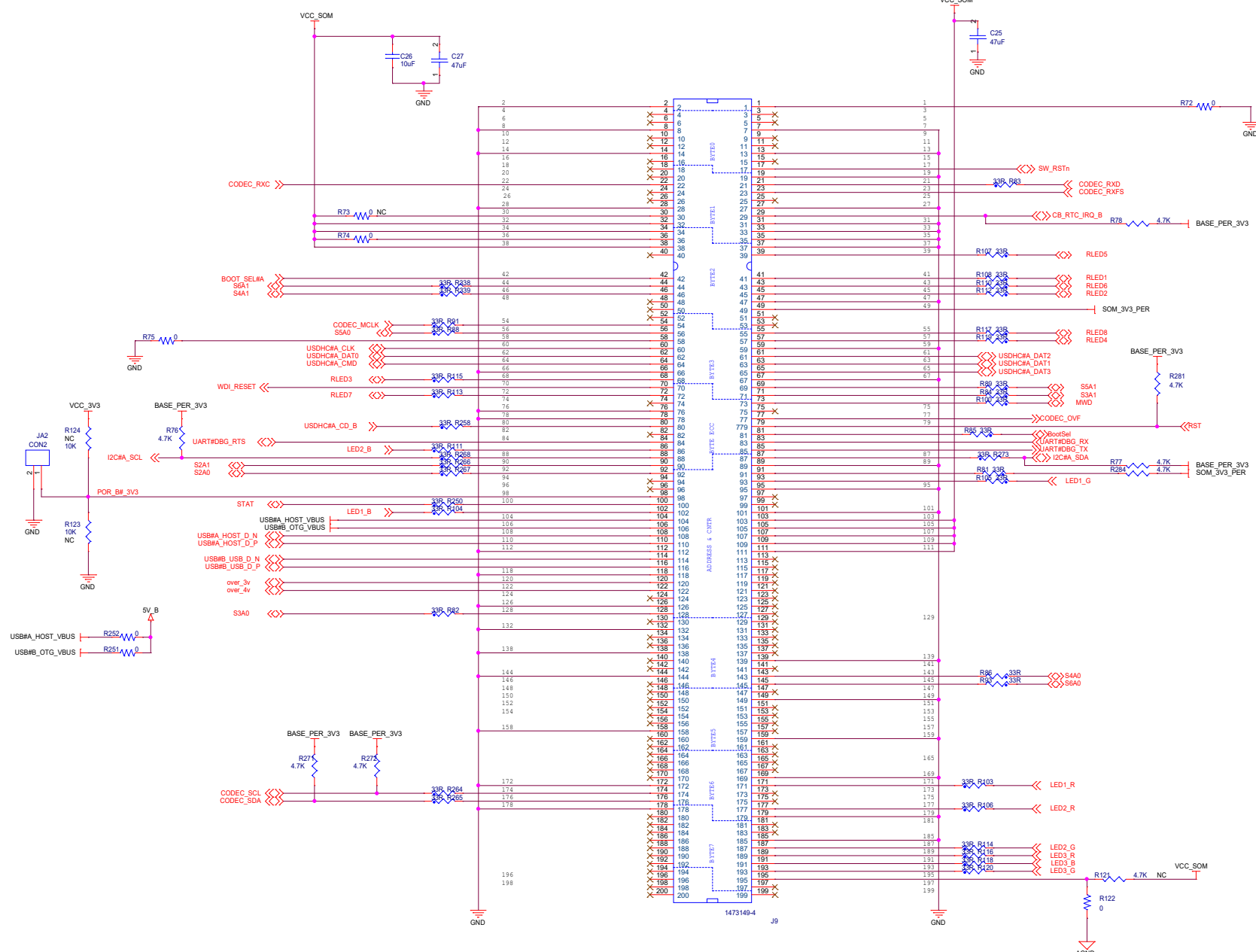
3DSignal 00-COVER		
Title dEdge 2.0 - cover		
Size A3	Document Number dEdge 2.0	Revision E3
Date: Thursday, July 02, 2020	Sheet 1	of 7



3DSignal			
Title dEdge 2.0 - BLOCK DIAGRAM			
Size Custom	Document Number dEdge 2.0		Revision E9
Date: Thursday, July 02, 2020	Sheet 2	of 7	

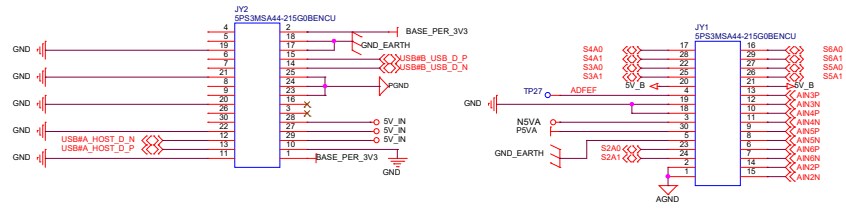
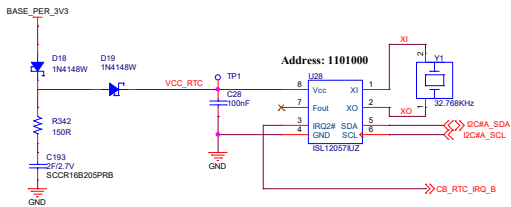


3DGsignal		
File:	dEdge 2.0 - PS,HWD,SuperCaps,A2B,LEds	
Size:	Document Number	Revision
A2	dEdge 2.0	E9
Date:	Thursday, July 09, 2020	Sheet 3 of 7

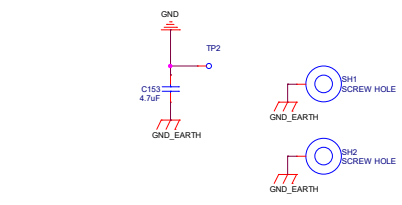
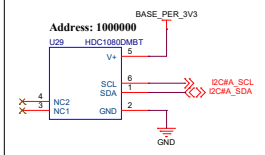


3DSignal		
dEdge 2.0 - SOM_JTAG		
File		
Size	Document Number	Revision
C	dEdge 2.0	E9
Date:	Thursday, July 02, 2020	Sheet 4 of 7

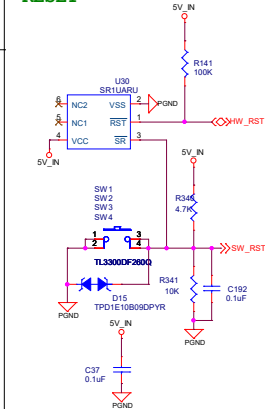
RTC



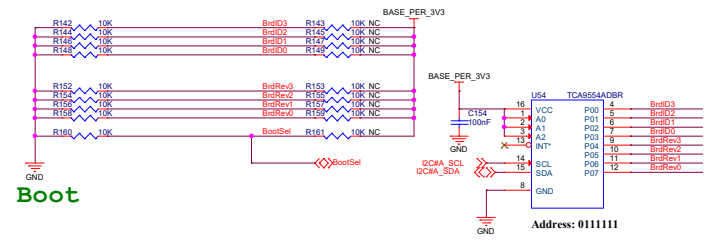
H&T sense



RESET

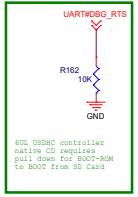
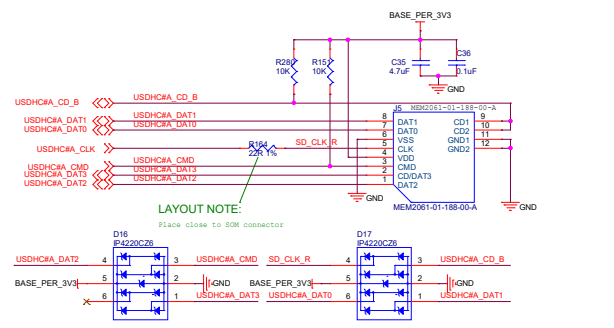


Board Type & Revision

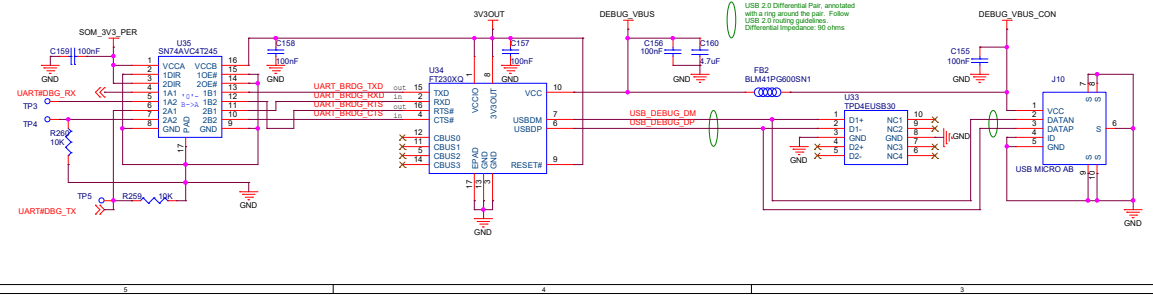


Boot

uSD CARD

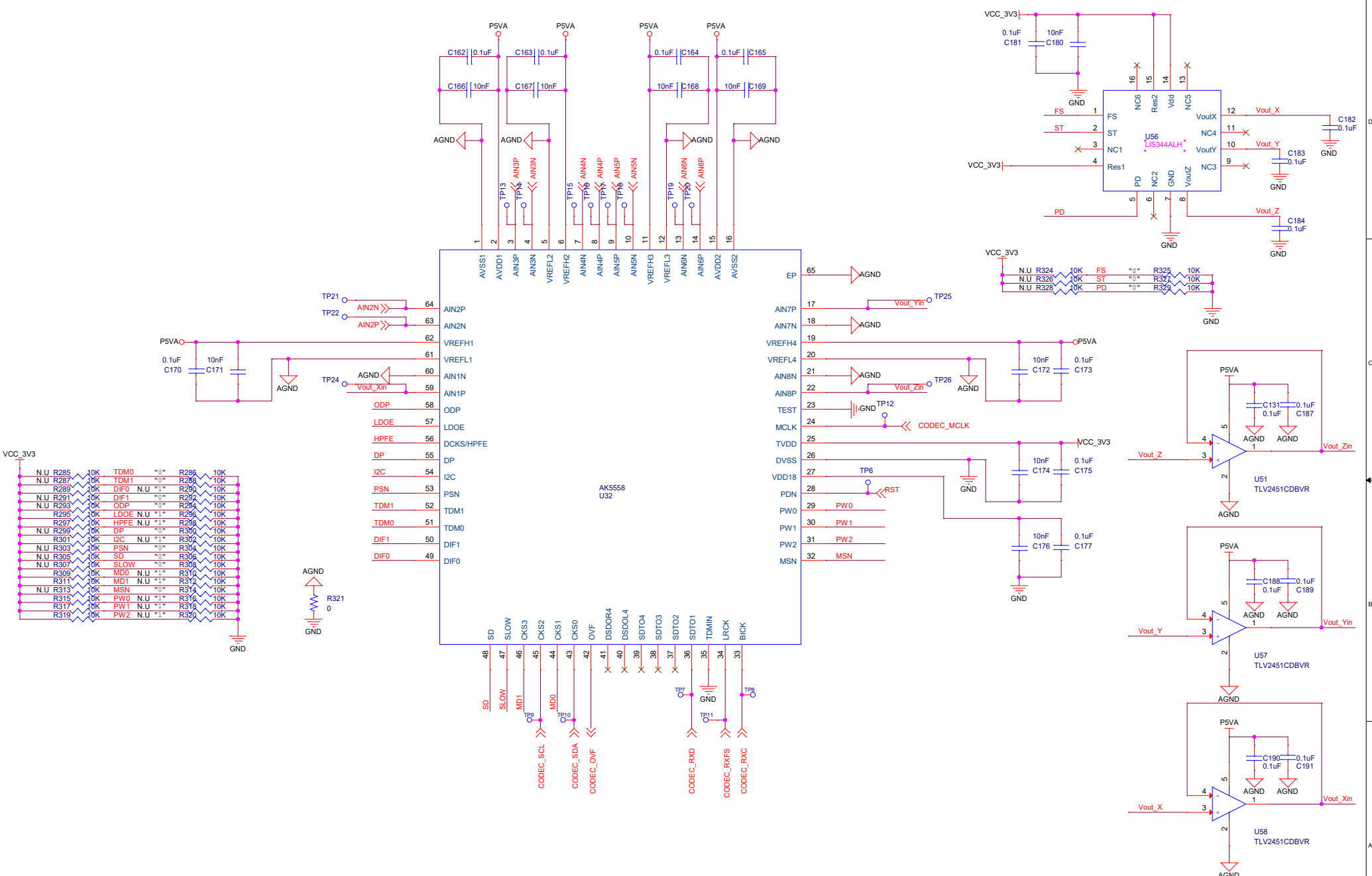


DEBUG UART USB BRIDGE



LAYOUT NOTE:
USB 2.0 Differential Pair, annulated with a ring, across the pair. Follow USB 2.0 routing guidelines. Differential impedance: 90 ohms

3D8ignal		05-uSD,USB,ETH	
File	dEdge 2.0 -uSD,USB,ETH,RTC.		
Size	Document Number	Revision	
A2	dEdge 2.0	E9	
Date:	Thursday, July 05, 2020	Sheet	5 of 7



3DSignal		
Title	dEdge 2.0 - PCM3168	
Size	Document Number	Revision
A3	dEdge 2.0	E9
Date:	Thursday, July 02, 2020	Sheet 6 of 7