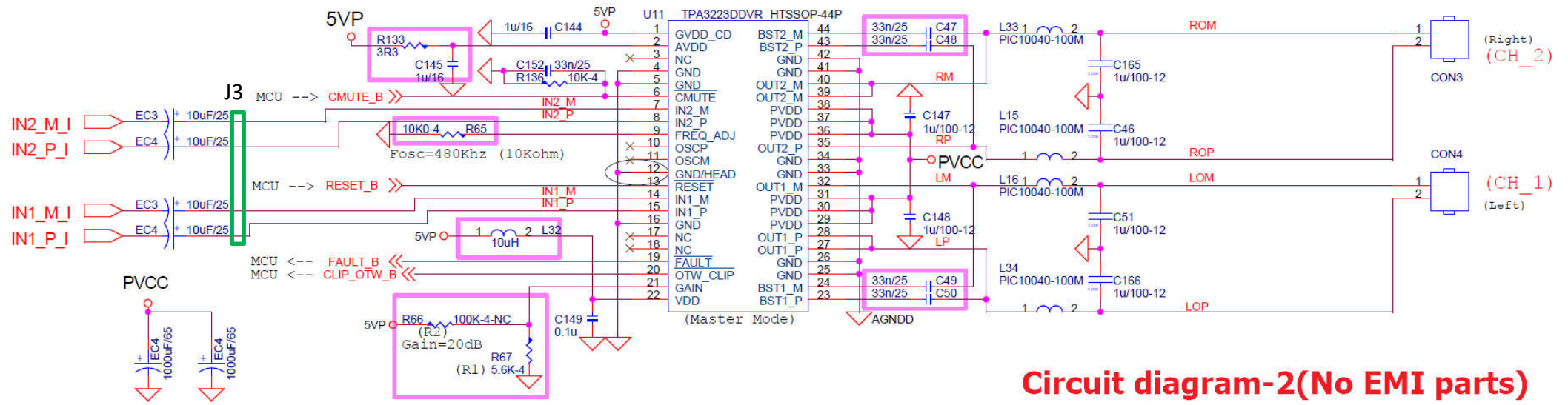
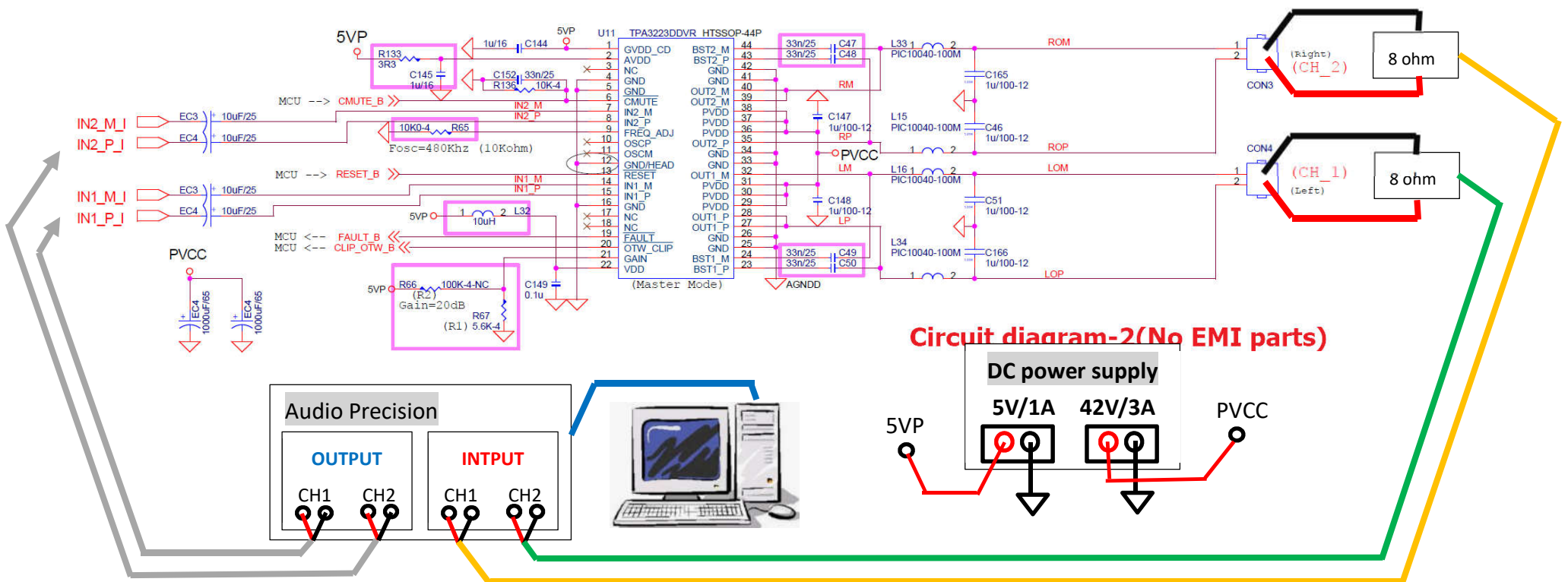


Circuit diagram-2 :



Circuit diagram-2(No EMI parts)

Equipment wiring diagram



Circuit diagram-2(No EMI parts)