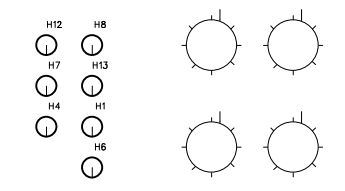
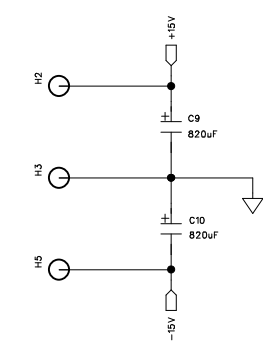
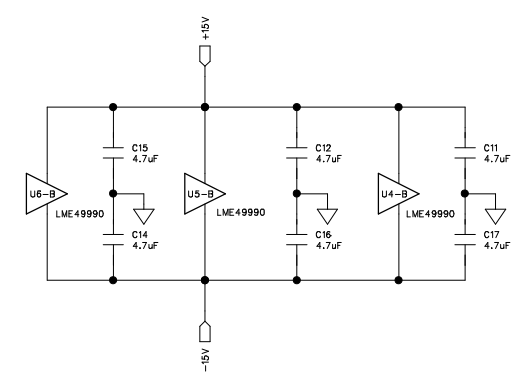
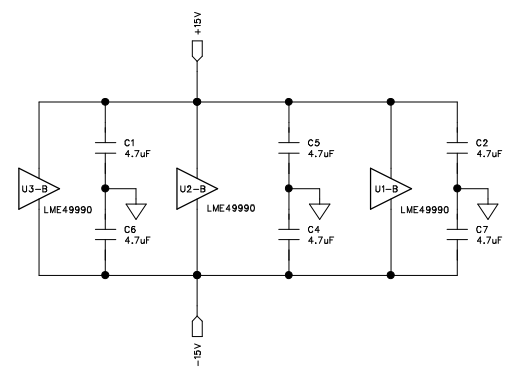
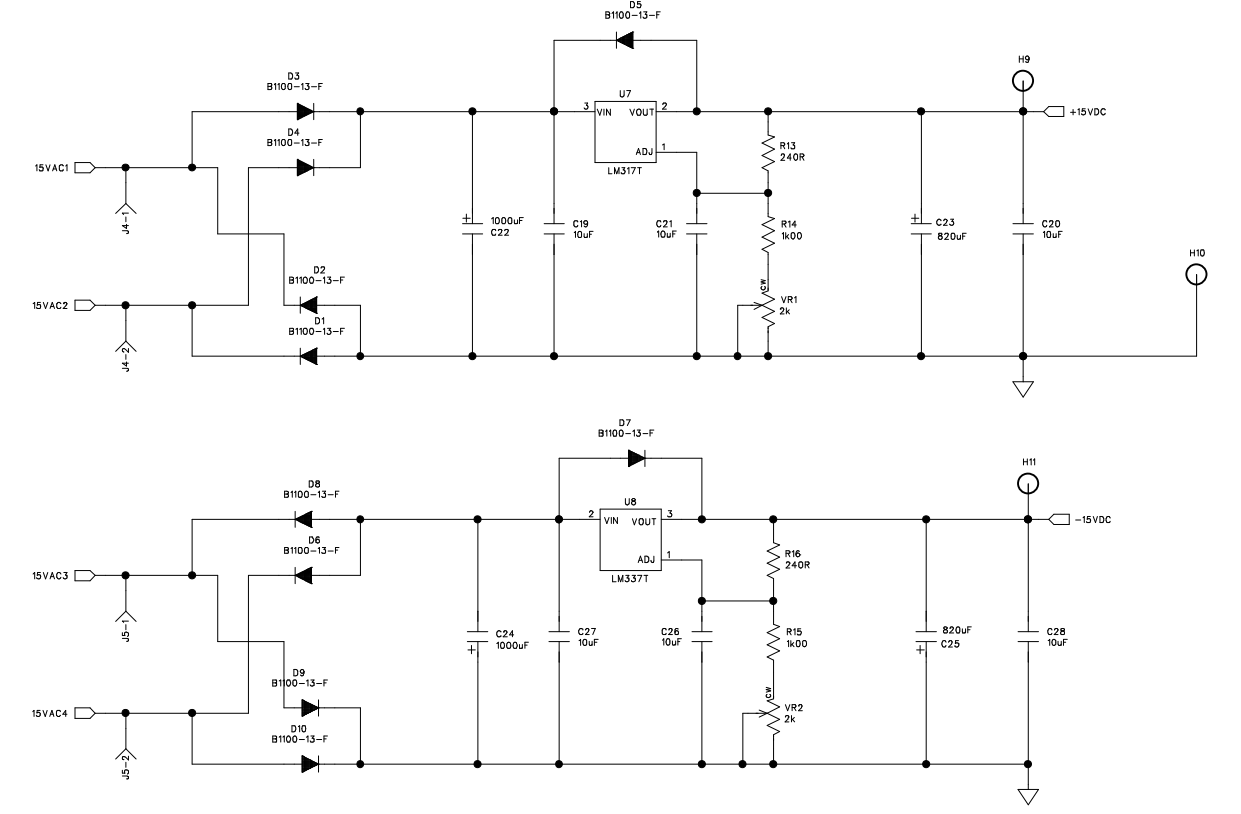
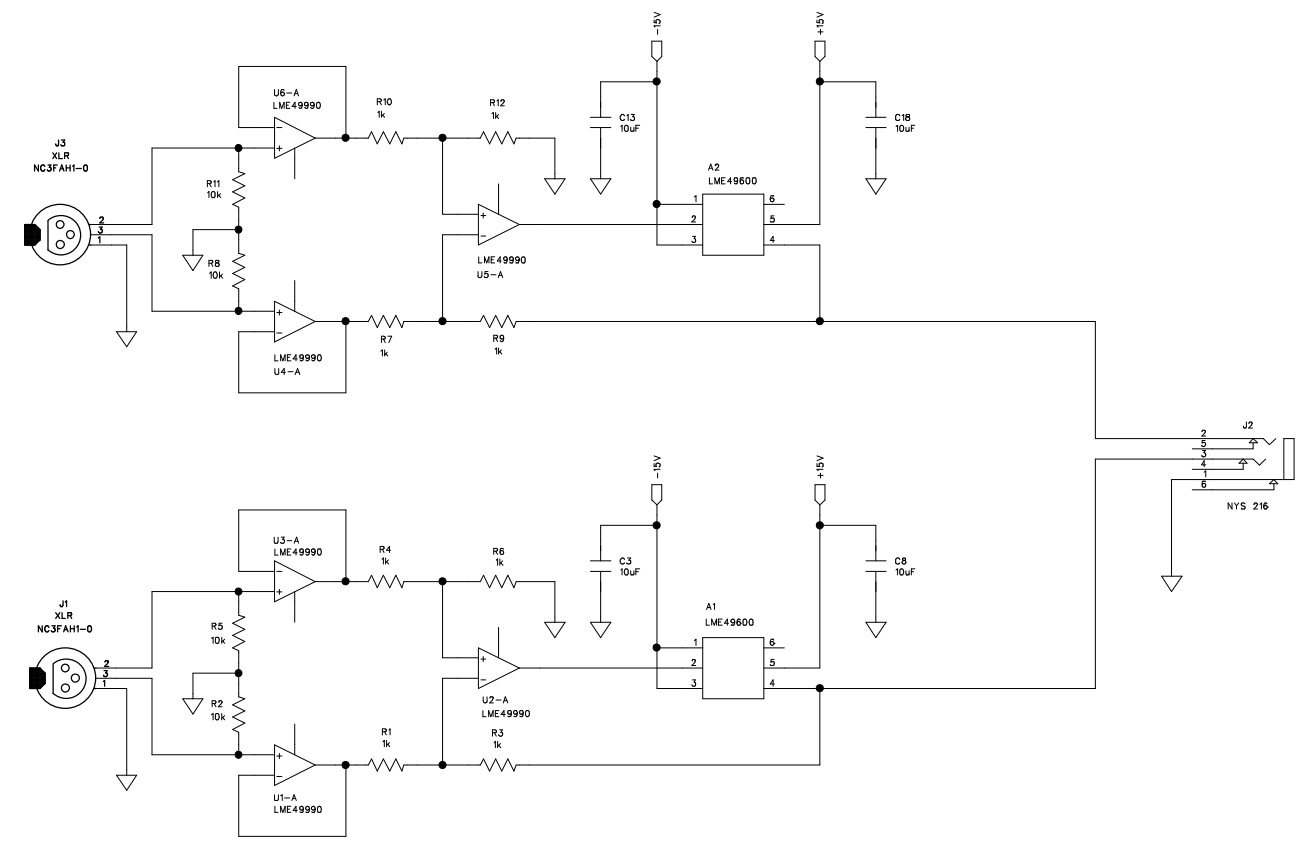


REVISION RECORD			
LTR	ECO NO:	APPROVED:	DATE:



DRAWN:		DATED:		COMPANY:			
CHECKED:		DATED:		TITLE:			
QUALITY CONTROL:		DATED:		CODE:	SIZE:	DRAWING NO:	REV:
RELEASED:		DATED:		SCALE:			
				SHEET: OF			