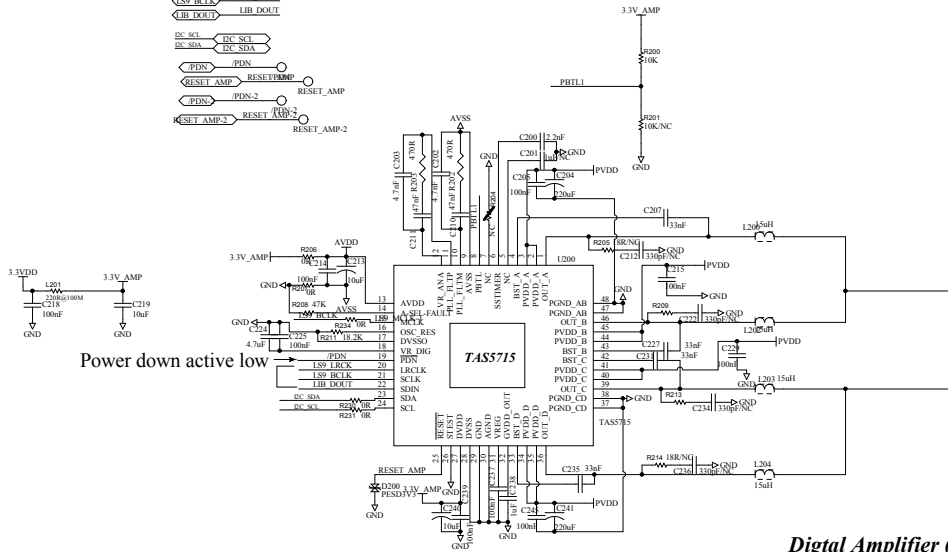
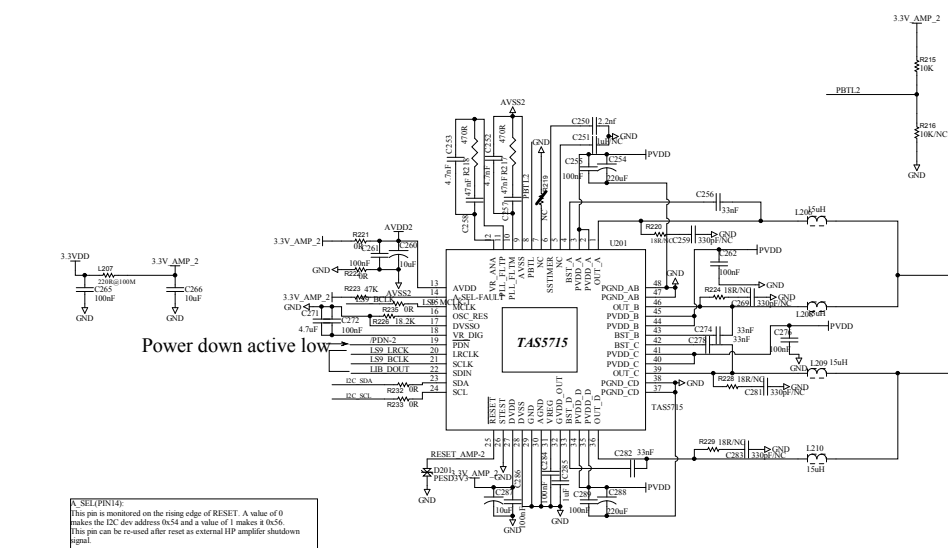


Digital Amplifier (1 channel PBTL mode)



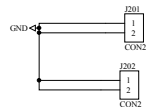
Power down active low

Digital Amplifier (1 channel PBTL mode)



Power down active low

RESET_PDN:
This pin is monitored on the rising edge of RESET. A value of 0 makes the I2C dev address 0x54 and a value of 1 makes it 0x56.
This pin can be re-used after reset as external HP amplifier shutdown signal.



- R2: Amplified Speaker Outputs
- R2.1: One (1) Amplified Stereo Output
- R2.1.1: One (1) Removable 4-Pole Screw Terminal Block
- R2.1.1.1: Must accept up to 14 AWG wire
- R2.1.1.2: Back screw terminal block
- R2.1.1.2.1: RIA Connector R901604VBL/C1249104
- R2.1.1.2.2: Molex 39530-0004
- R2.1.1.2.3: AnyTel T2845103000AG

REV.	ECN No.	DESCRIPTION	Date	APPRO.

Hansong (Nanjing) Technology Ltd.
No.HS/QR-RD-25

THE INFORMATION CONTAINED IN THIS DRAWING IS THE SOLE PROPERTY OF HANSONG TECHNOLOGY CO.,LTD. ANY REPRODUCTION IN PART OF WHOLE WITHOUT THE WRITTEN PERMISSION OF HANSONG TECHNOLOGY CO.,LTD. IS PROHIBITED

Document Number:	Sheet:
Project:	State:
Drafted by:	PL Checked:
Checked:	HW Manager Checked:
Date:	Approved:
Date:	Date: