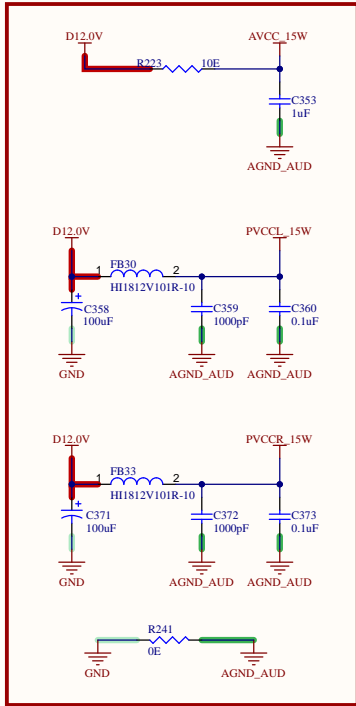


THIS DOCUMENT AND THE DATA DISCLOSED HEREIN OR HEREWITH IS THE PROPERTY OF ALTIUM LIMITED AND MAY BE FREELY DISTRIBUTED IN WHOLE. NO RIGHTS ARE RESERVED OR EXPRESS OR IMPLIED WARRANTY GIVEN.

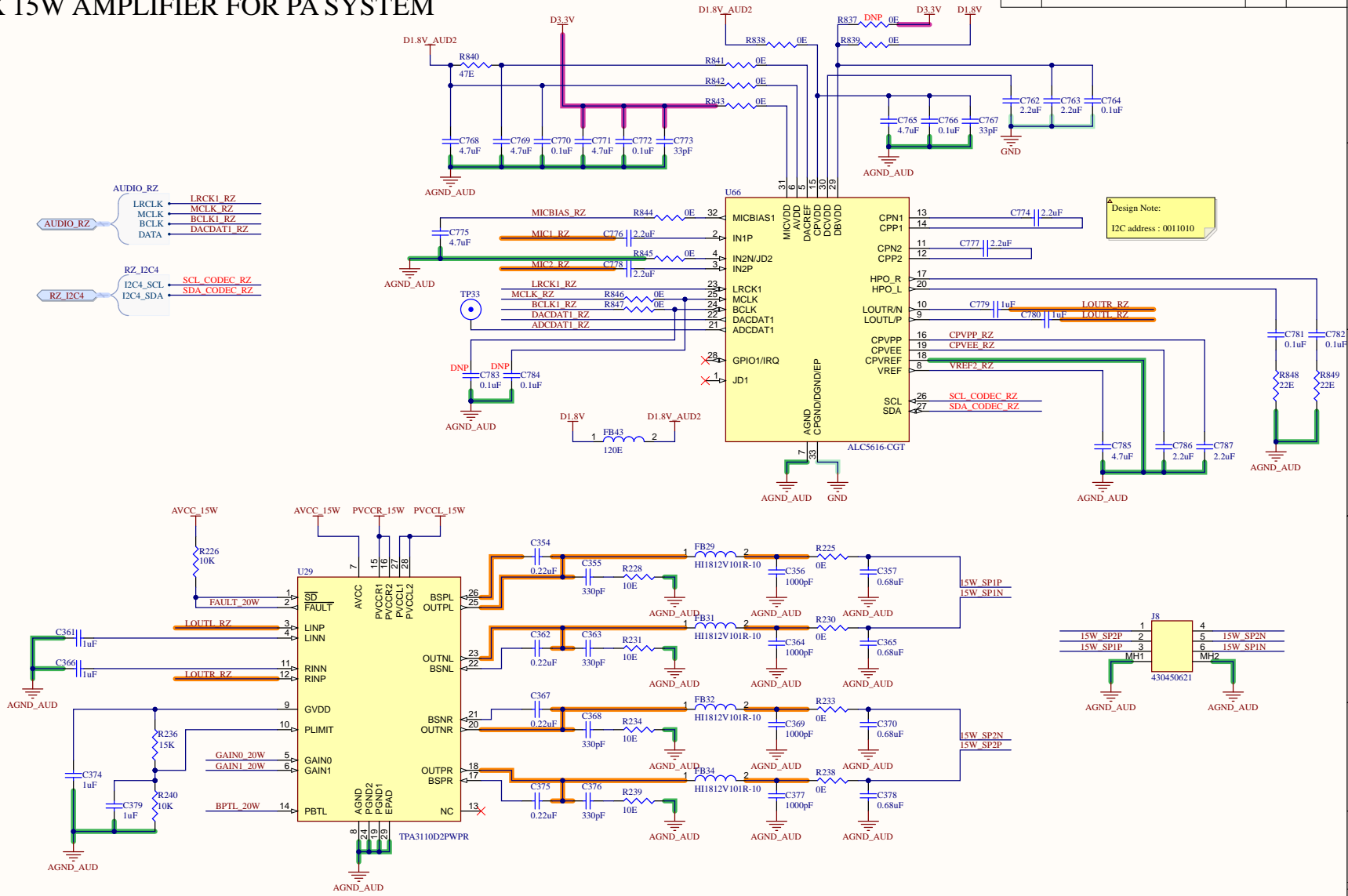
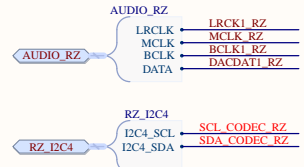
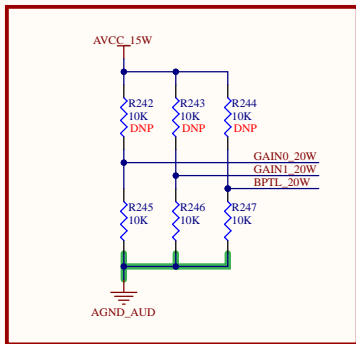
2 X 15W AMPLIFIER FOR PA SYSTEM

REV. NO.	REV. DAT.	REVISION	DESCRIPTION	DATE	APPROVED
40					

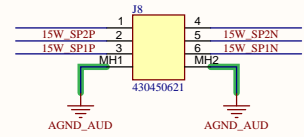
POWER SECTION



CONFIGURATION



Design Note:
I2C address : 0011010



APPROVALS	DATE	PROJECT	Smart Systems
ENG: -		*	quarters - Cochin
DSN: -			legality Road,
CHK: -			Trivandrum - 682021, India
		PROJECT REVISION:	DOCUMENT REVISION:
		TITLE	DESIGN ITEM:
		*	
BOM:		REFERENCE DOCUMENTS	
ASSY DWG:	SIZE	CAGE CODE	DWG NO.
FAB DWG:	B		
PCBDWG:	SCALE:	FILE NAME	40 2X15W AMP.SchDoc
		SHEET	40 OF 54