

Interprocessor

Overview

The following components implement the exchange of data between the miniDSP_D and miniDSP_A over the iDSP port in the AIC device:

iDSP_A_D – Transfer from miniDSP_A to miniDSP_D

iDSP_D_A – Transfer from miniDSP_D to miniDSP_A

The components support 1 to 16 channels.

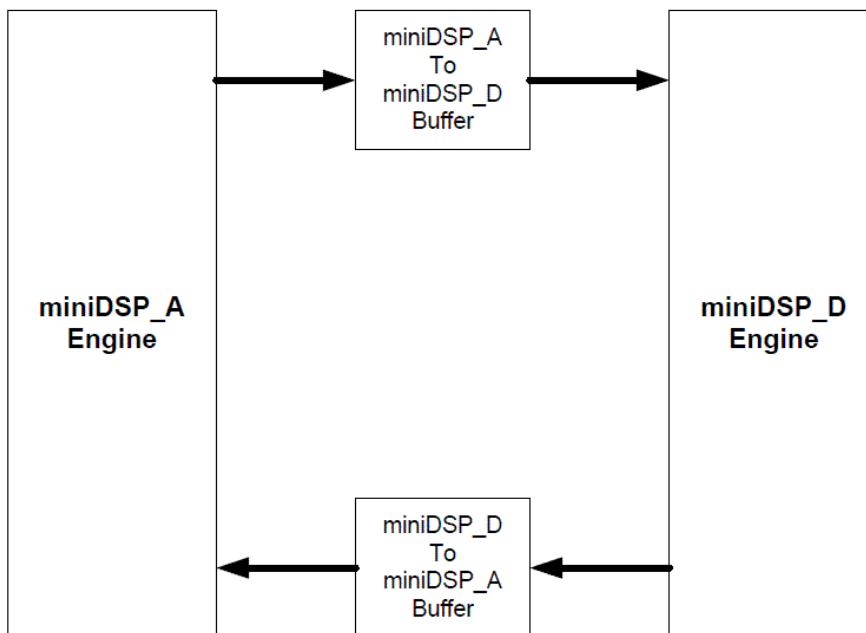


Figure 1: Inter processor data transfer Block Diagram

Usage

To change the number of channels, set **InputChannels** to the desired value in design properties window (default value is 1).

Configurable Properties

None

I2C Interface

None