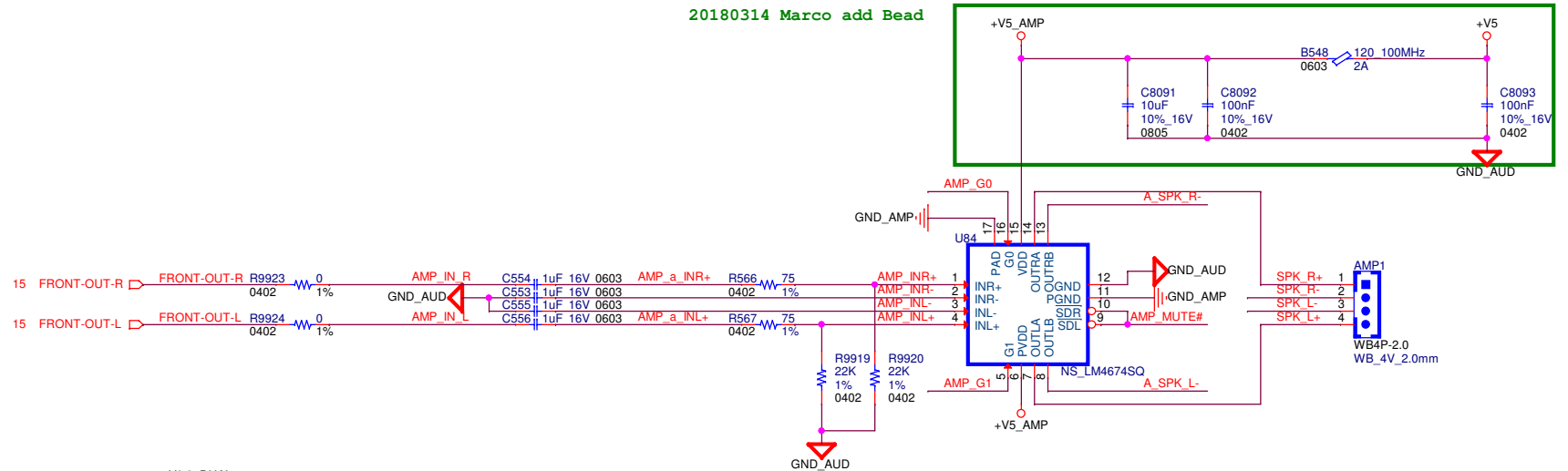
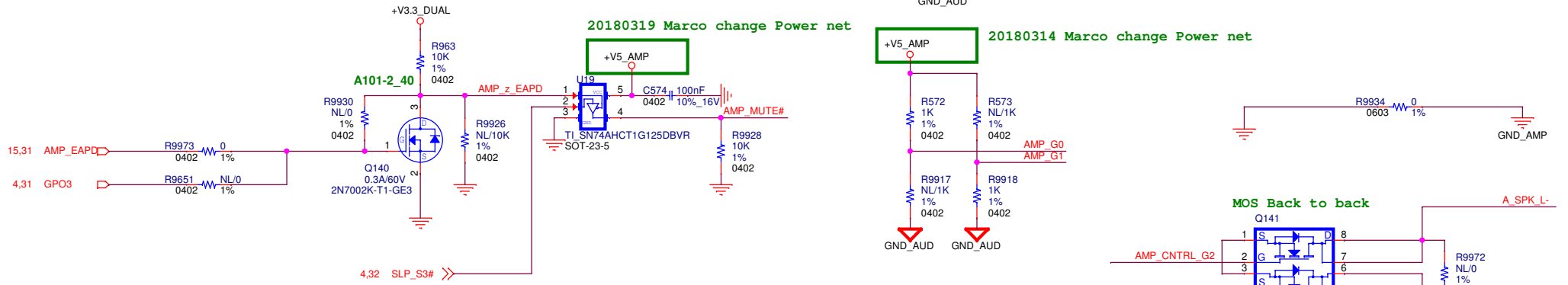


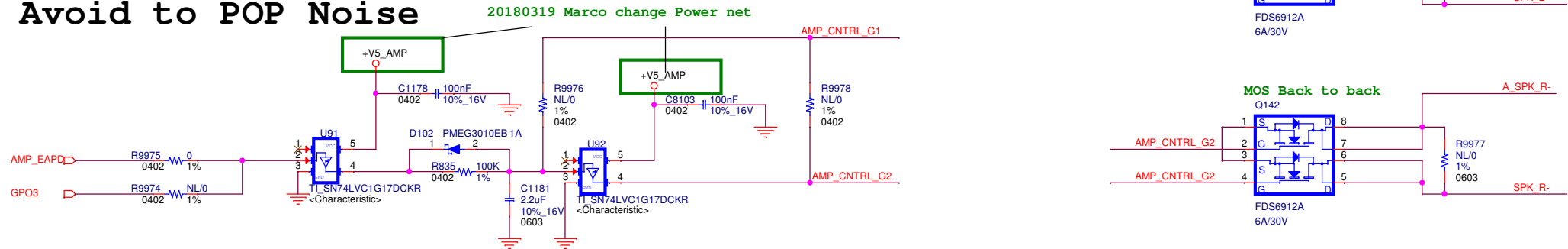
Amplifier



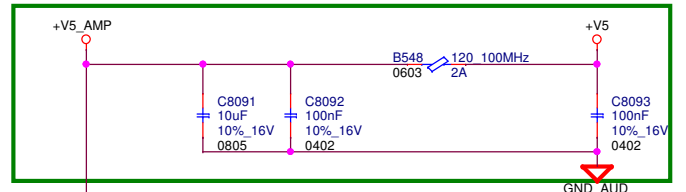
MUTE



Avoid to POP Noise



20180314 Marco add Bead



20180319 Marco change Power net

20180314 Marco change Power net

MOS Back to back

MOS Back to back