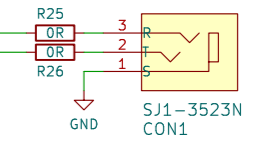
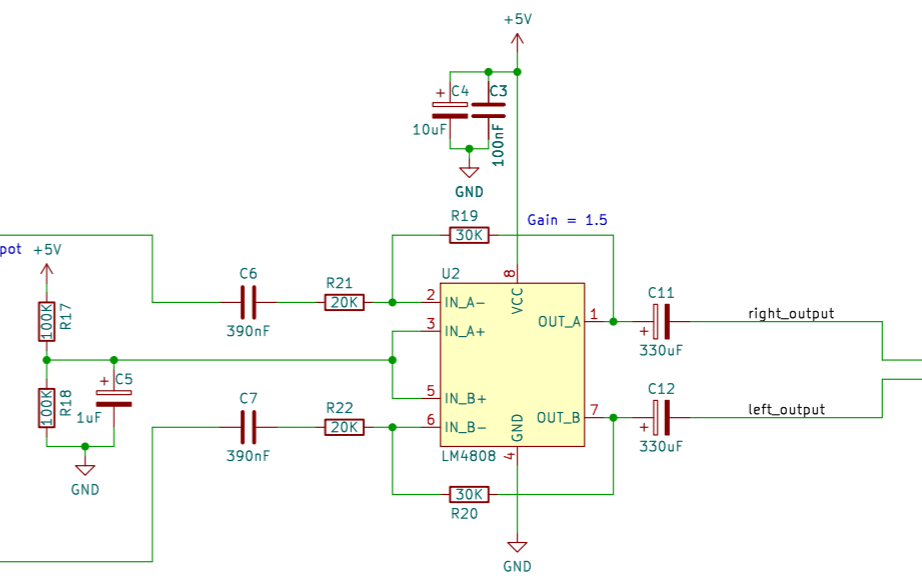
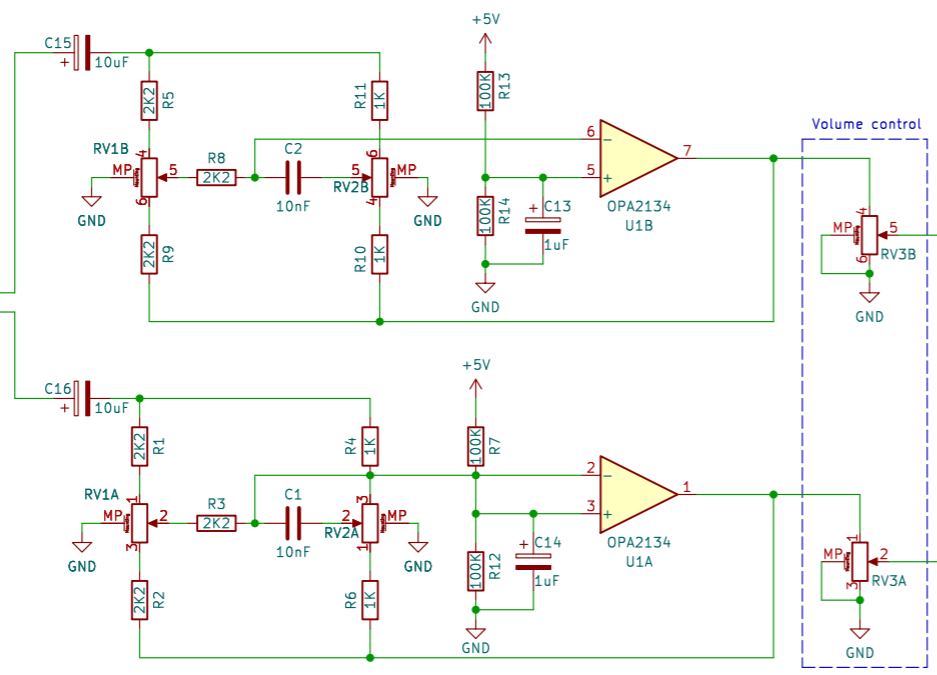
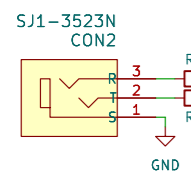


Pots RV1 and RV2 are 10K linear pots



Sheet: /		
File: LM4808_headphone_amp.kicad_sch		
Title:		
Size: A3	Date:	Rev:
KiCad E.D.A. kicad 7.0.1		Id: 1/1