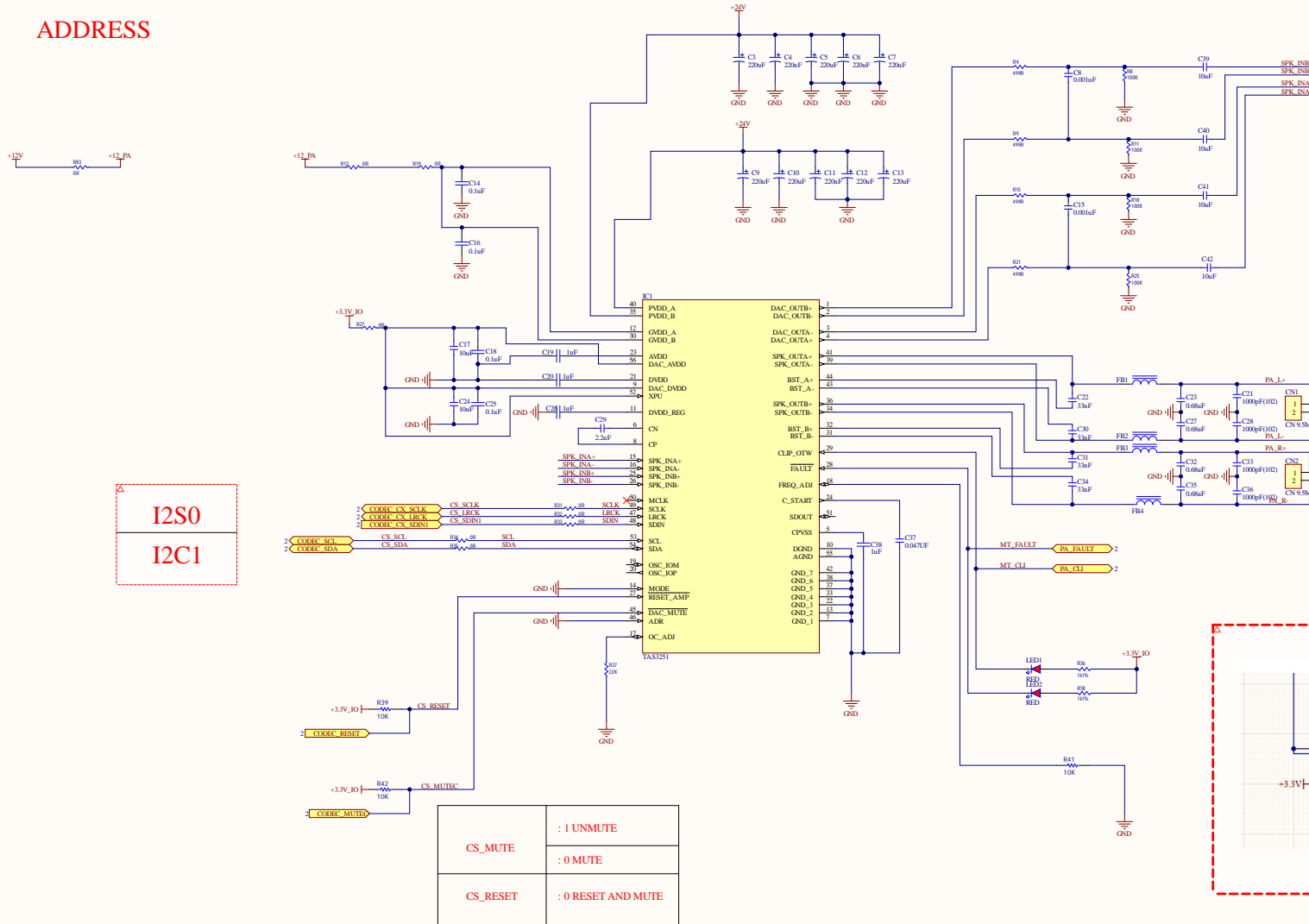
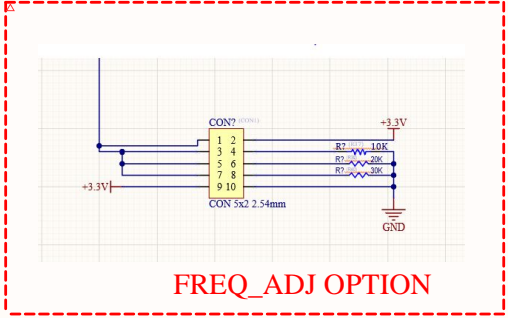


ADR Pin		Hex	Binary
0	7-bit Address	0x4A	1001 010
	7-bit Address + Write Bit	0x94	1001 0100
	7-bit Address + Read Bit	0x95	1001 0101

ADDRESS



I2S0
I2C1



28	FAULT	O	Shutdown signal, open drain; active low. Internal pull-up resistor to DVDD. Do not connect if unused. Refer to section: Device Output Stage Protection System
29	CLIP_OTW	O	Clipping warning and over-temperature warning; open drain; active low. Internal pull-up resistor to DVDD. Do not connect if unused. Refer to section: Device Output Stage Protection System

27	RESET_AMP	I	Device reset, active low. Use for amplifier reset and mute. Refer to section: Output Power Stage Reset
45	DAC_MUTE	I	Hardware controlled DAC mute function. Pull low (connected to DGND) to mute the device and pull high (connected to DAC_DVDD) to unmute the device. Refer to section: Mute with DAC_MUTE or Clock Error