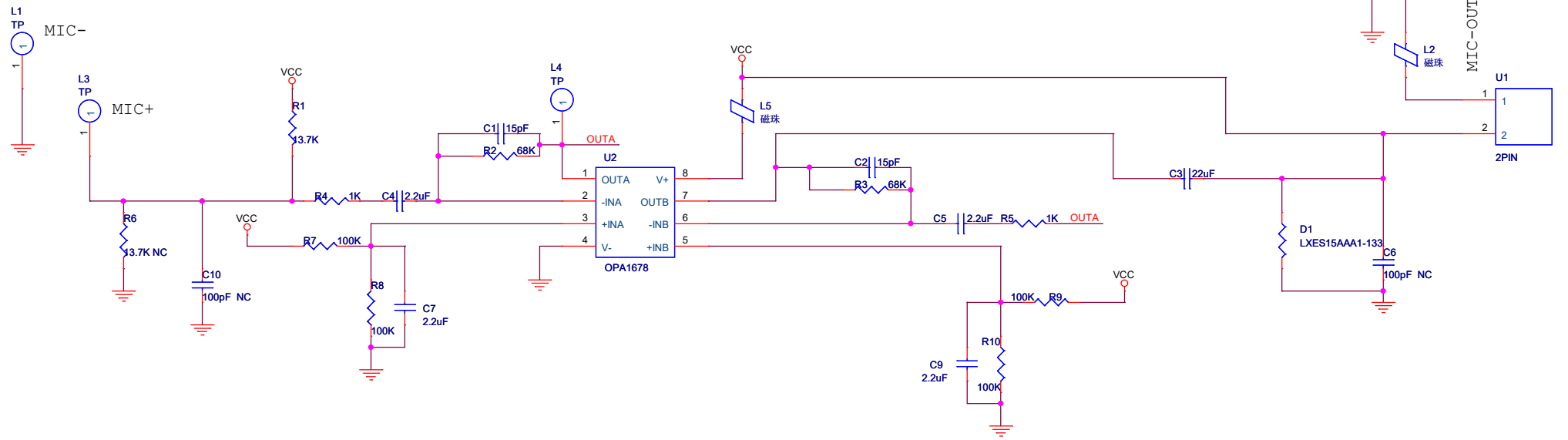


# Electret Microphone



Title		
<Title>		
Size	Document Number	Rev
B	<Doc>	<RevCode>
Date:	Monday, December 17, 2018	Sheet 1 of 1