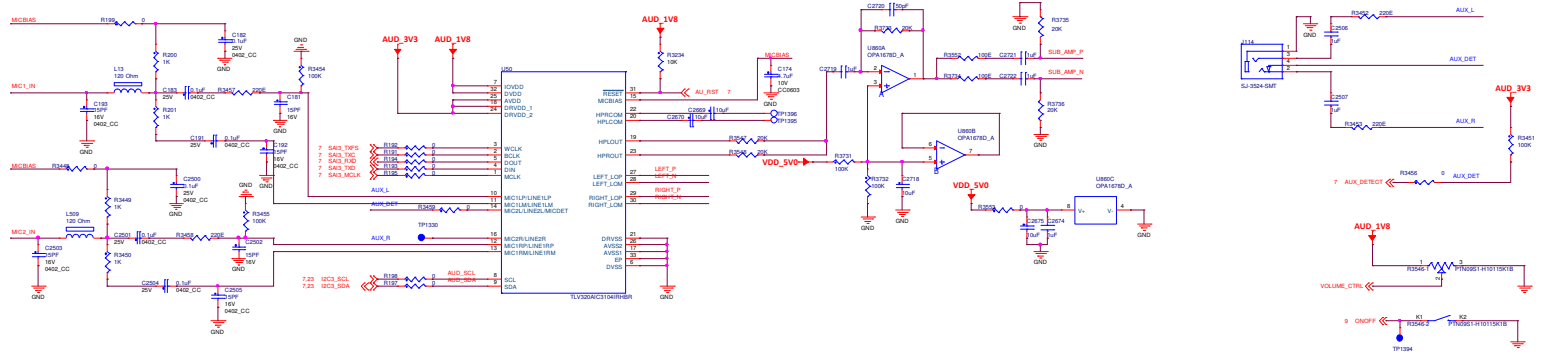
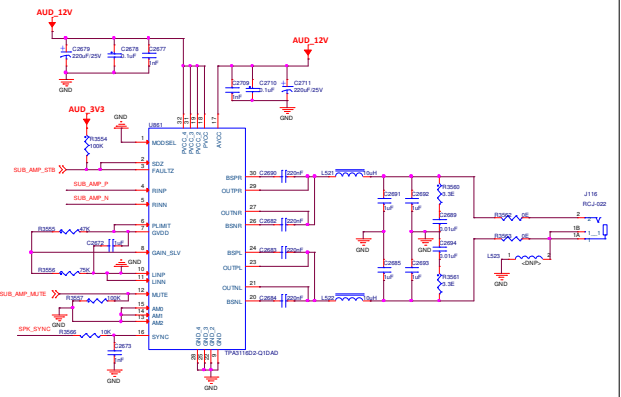


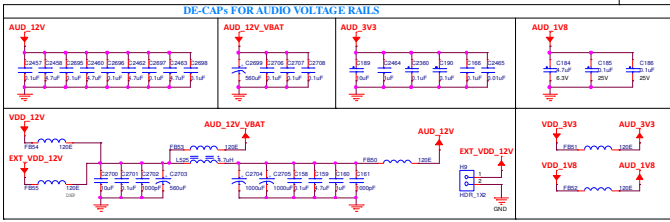
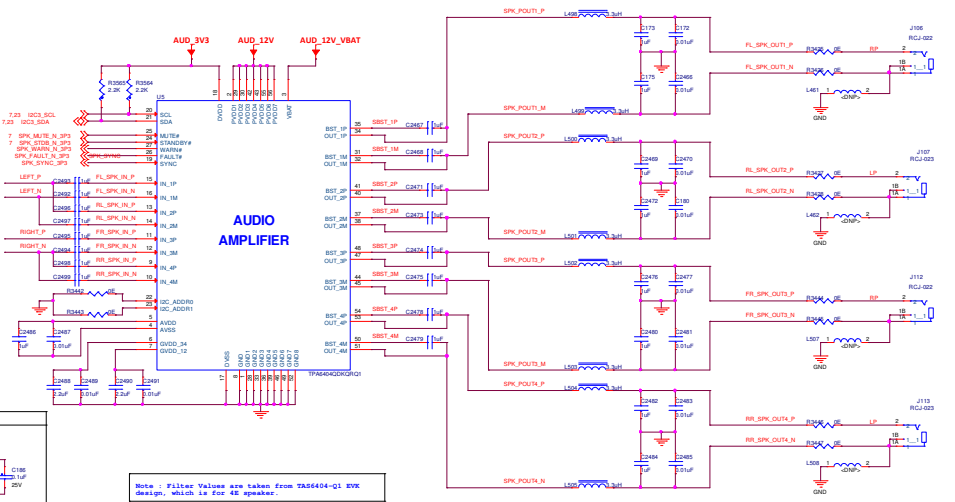
# SPEAKER POWER AMPLIFIER



## 50W MONO SUB CLASS D POWER AMPLIFIER



## 4-CH SPEAKER : CLASS D POWER AMPLIFIER



Note: Filter Values are taken from TAS6404-Q1 BOM design, which is for 4E speaker.

		PROJECT: IMFOXTAINMENT_REV1.0	
		AUDIO SECTION	
Rev	A2	EAGE Code	DWG NO
		1.0	OptM_INF_01
DATE	Friday, December 10, 2005	Sheet	23 of 29