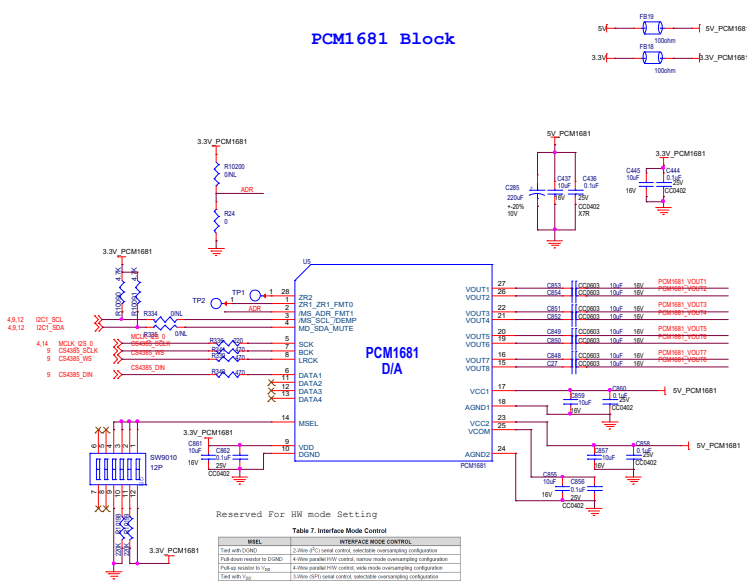
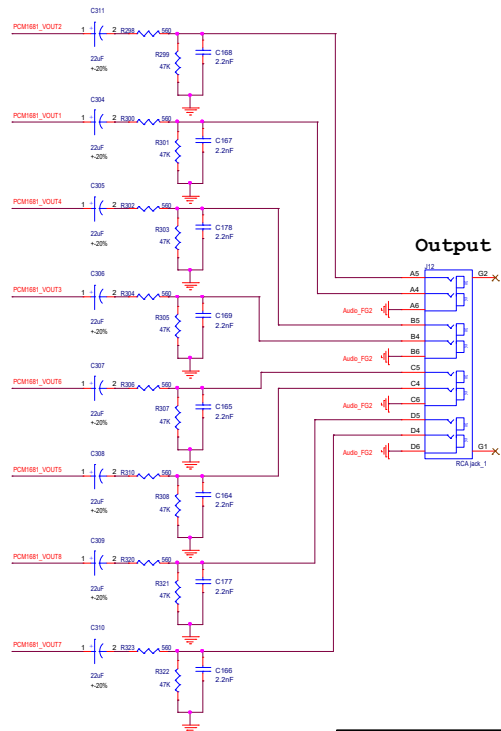


PCM1681 Block



Reserved For IIR mode Setting

MSEL	INTERFACE MODE CONTROL
Test with CS4881	0: IIR mode control, selective oversampling configuration
Full filter memory to CS4881	1: IIR mode control, selective oversampling configuration
Full filter memory to Yes	0: IIR mode control, selective oversampling configuration
Test with Yes	1: IIR mode control, selective oversampling configuration



Copyright Arcadyan Corporation 2011. All rights reserved.
 This document contains confidential information of Arcadyan Corporation and shall not be used, disclosed, copied, or otherwise made available to any third party without the express written consent of Arcadyan Corporation.
 Arcadyan Technology Corporation
<http://www.arcadyan.com>

arcadyan		Arcadyan Technology Corporation http://www.arcadyan.com	
Doc No	D/A PCM1681 interface	Doc ID	WH9722MAC22-E7 Test Jig
Rev	Document Revision Custom 165000222500J	Drawn By	Edison Chen
Date	Thursday, July 22, 2011	Sheet	10 of 15