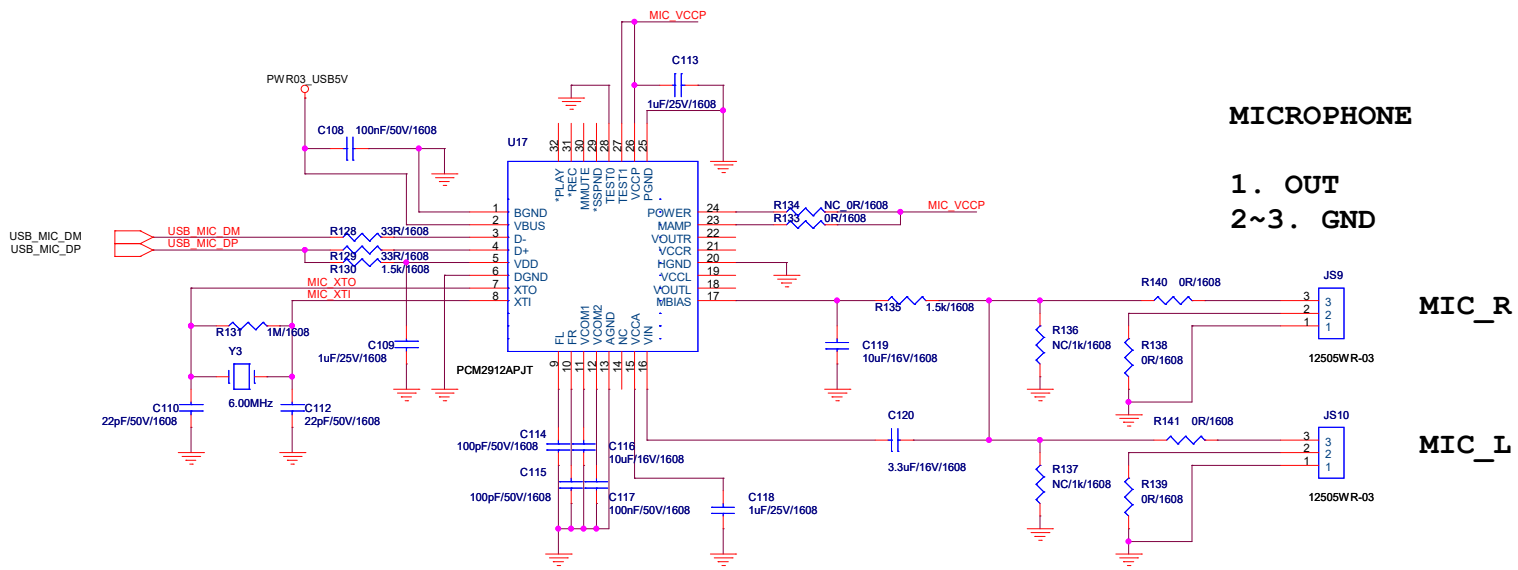


Microphone



MICROPHONE

- 1. OUT
- 2~3. GND

MIC_R

MIC_L