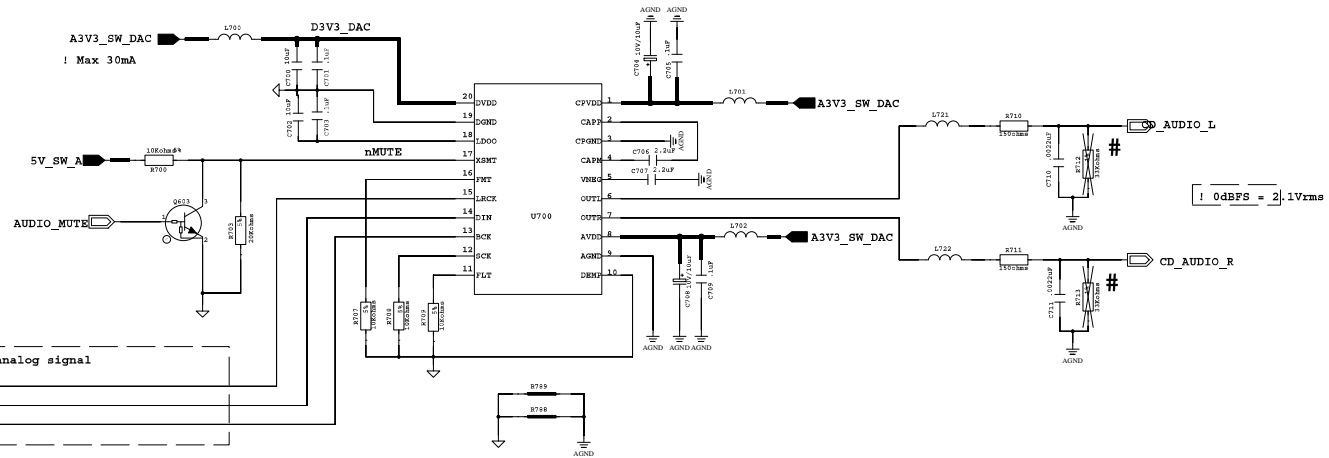


PART 7_Audio DAC



Confidential	
Tool: Mentor DxDesigner 2007	Block Description: Audio DAC
Project Platform Information: Mazda J72A Series CDP	
Designed By: Kuan. Yang@desay-svautomotive.com	Date: 2016-05-25
Released By: Datao. Chen@desay-svautomotive.com	Status: B3
Pcb Material Information: FR4, 1.6mm, 2 Layers, OSP	Designation: MPCB, FR4, OSP, MD4226/46, 2L
Pcb P/N: 3340 193 52361	Version: S03
HUI ZHOU DESAY SV AUTOMOTIVE CO.,LTD. / R&D-EE	
Page: 7 of 8	
A3	