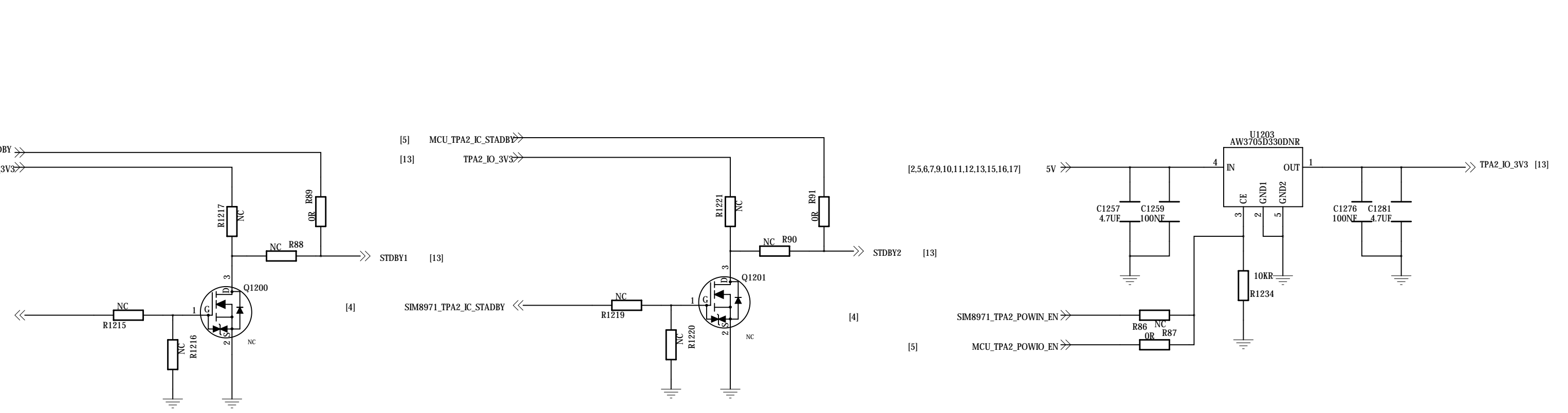
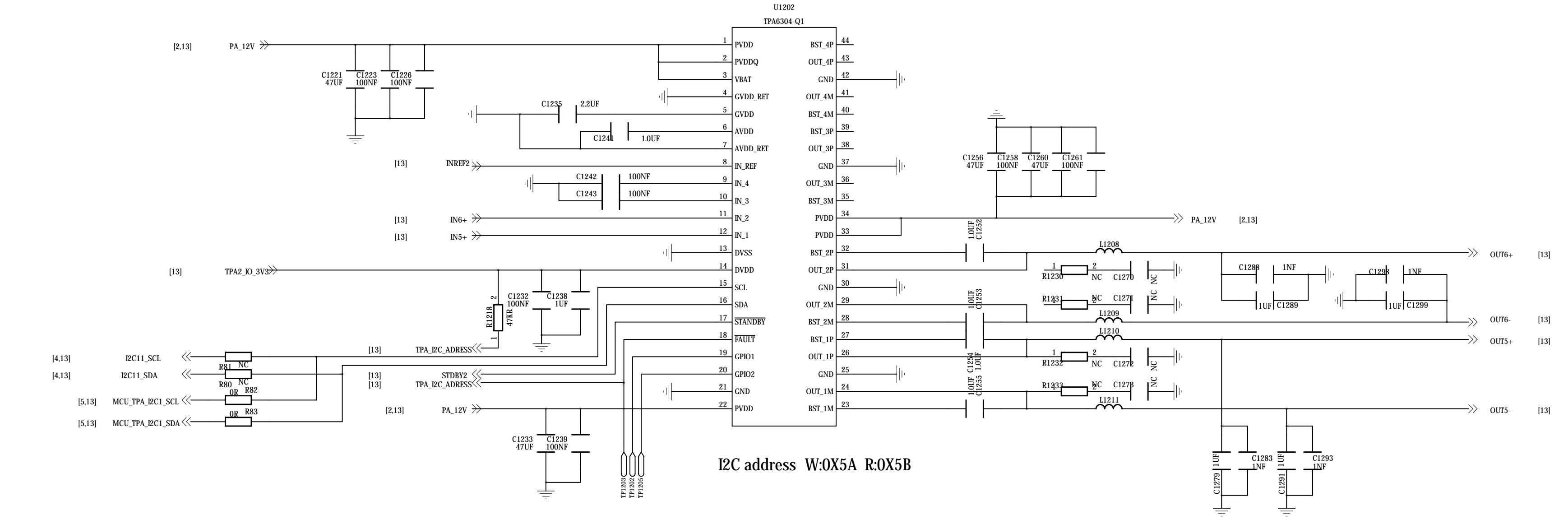
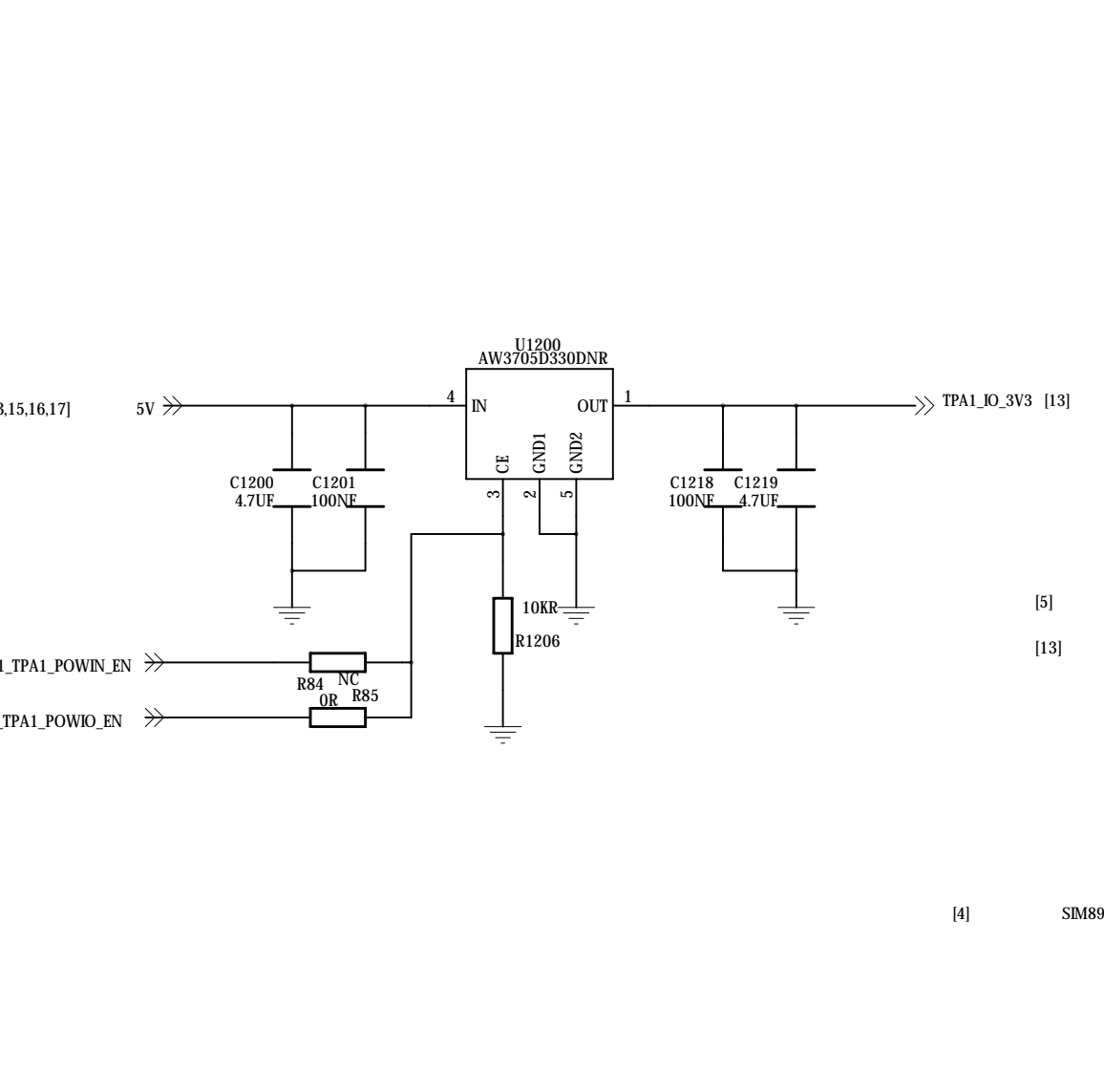
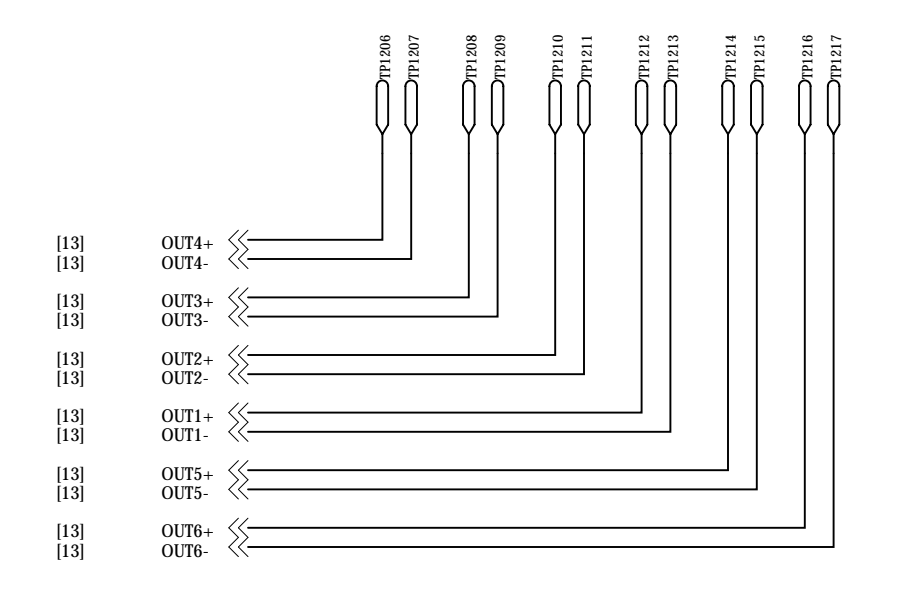
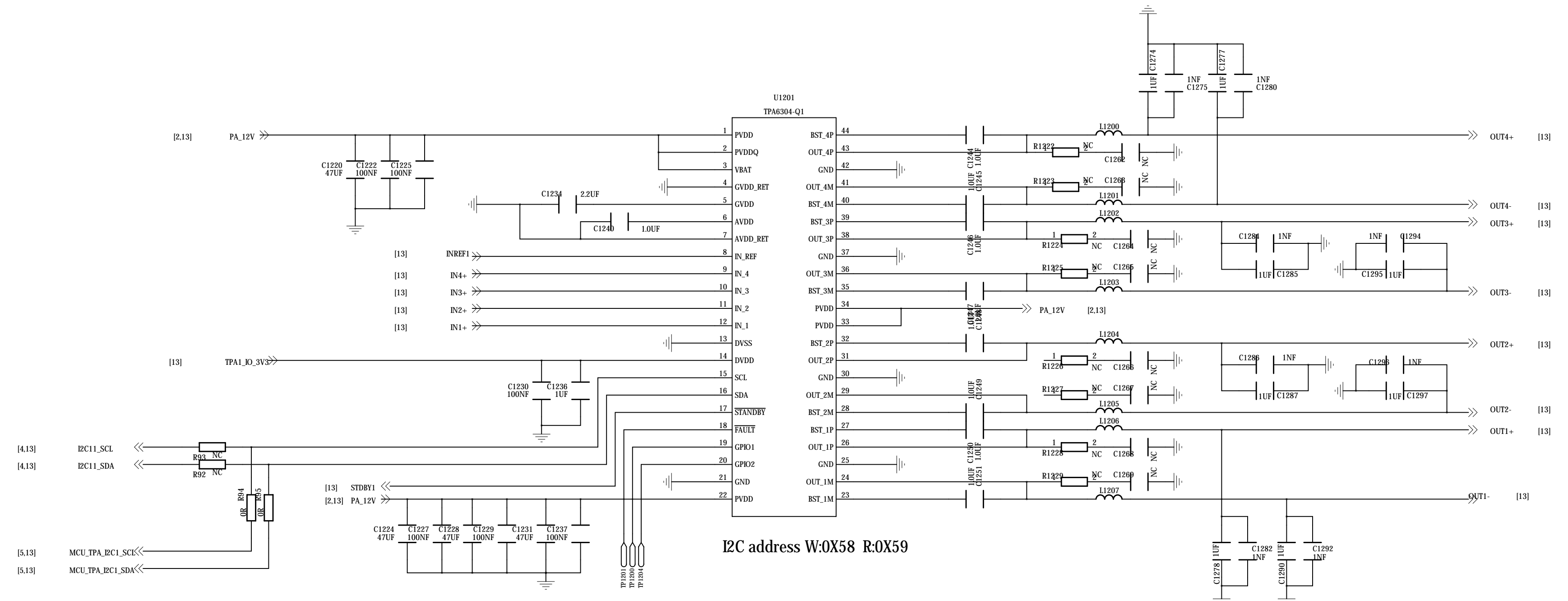
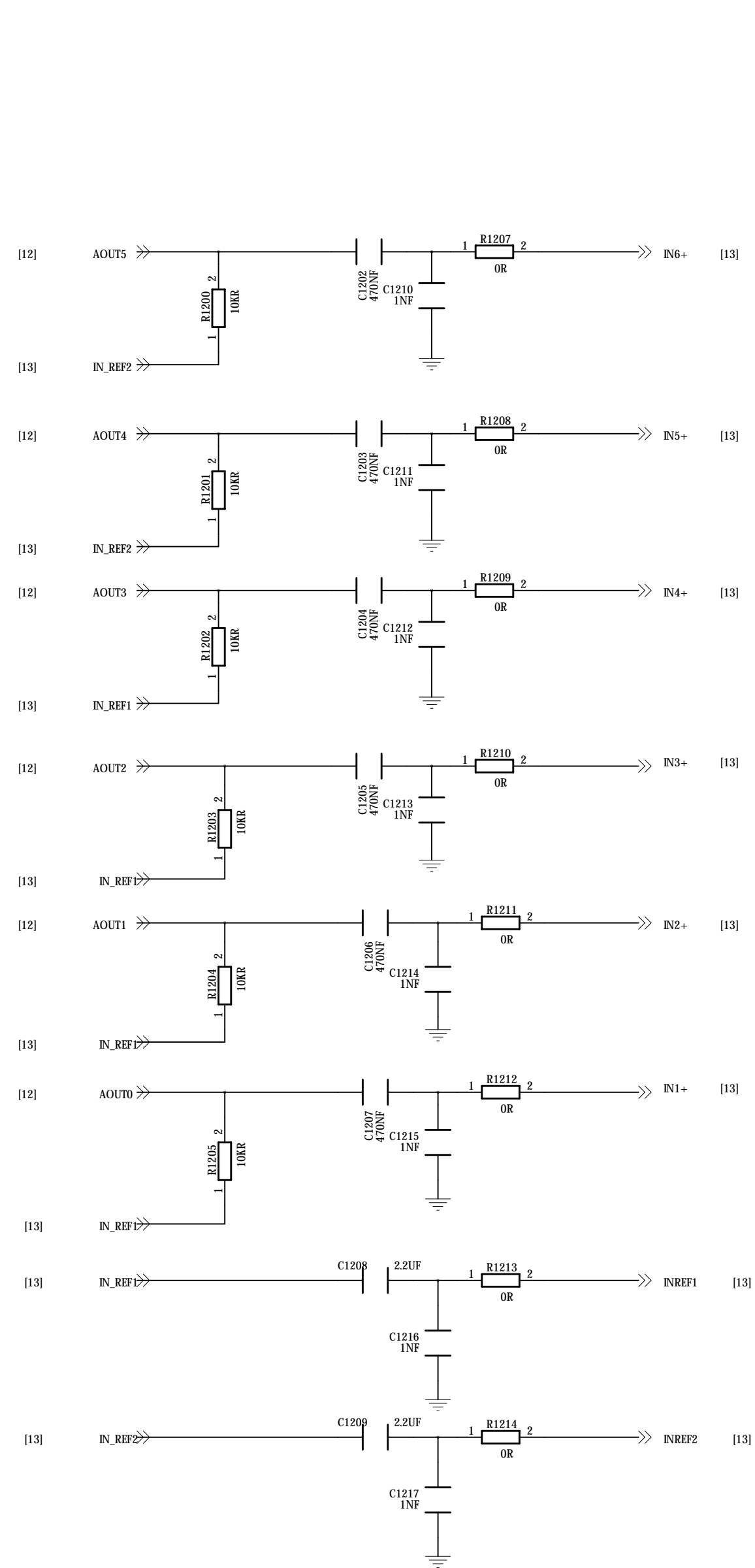


REVISION RECORD			
LR	ECO NO.	APPROVED:	DATE



D

C

B

A

D

C

B

A

DRAWN	<Drawn By>	DATE	<Drawn Date>
CHECKED	<Checked By>	DATE	<Checked Date>
QUALITY CONTROL	<QC By>	DATE	<QC Date>
RELEASED	<Released By>	DATE	<Release Date>

COMPANY: <Company Name>			
TITLE: <Title>			
CODE	SIZE	DRAWING NO.	REV.
<Code>	D	<Drawing Number>	<Revision>
SCALE: <Scale>			SHEET: d8 18