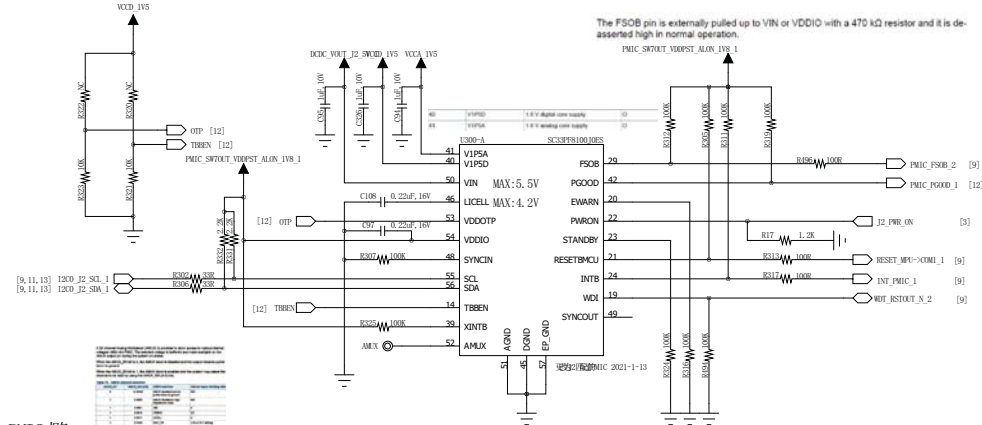


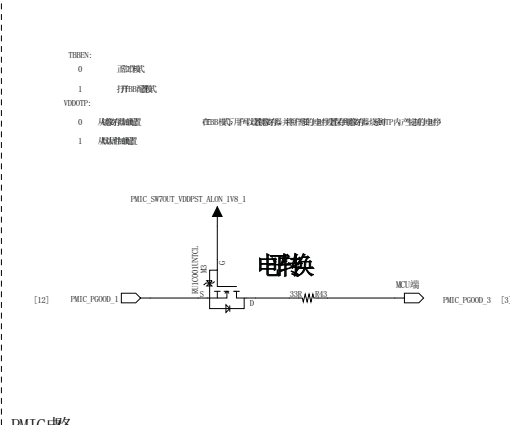


장비 PCB 타겟회로



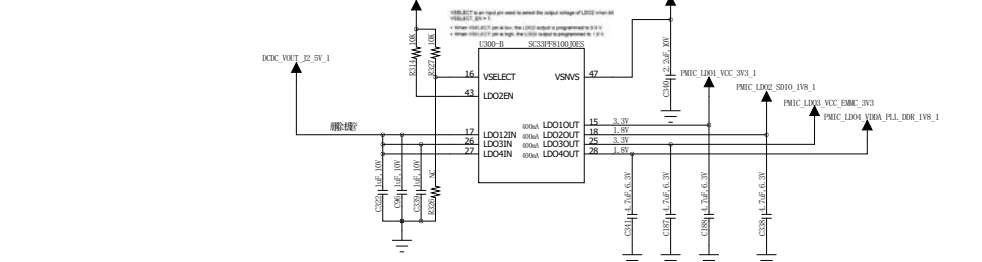
PMIC1회로

장비 PCB 타겟회로



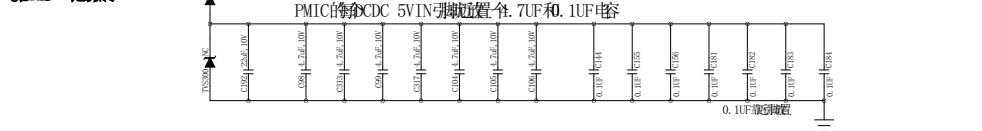
PMIC2회로

장비 PCB 타겟회로

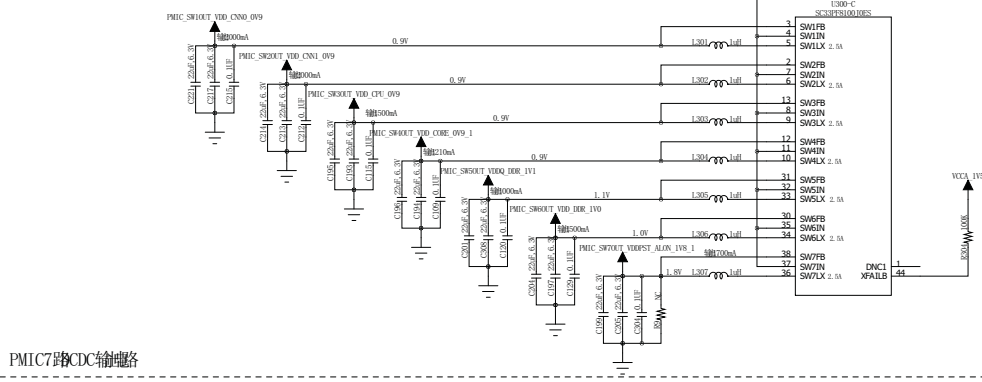


PMIC4 LDO 회로

장비 PCB 타겟회로



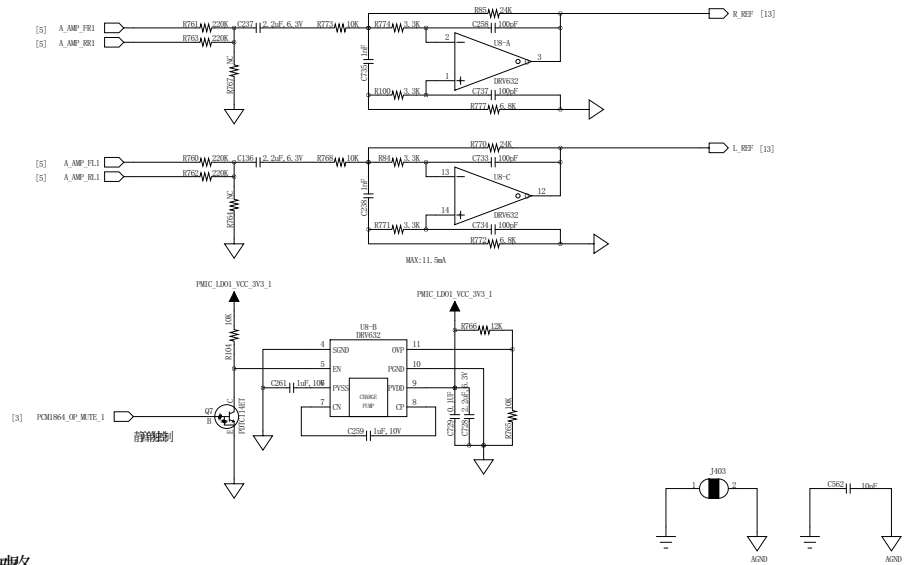
PMIC의 CDC 5VIN 핀에 7uF와 1uF 커패시터 배치



PMIC7 LDO 회로

MODEL NO HM6C15A (Android P)	MB1	ADAYO Foryou General Electronics Co., Ltd.			
DESCRIPTION	12_J2_PMIC	SHEET: 12 16	SCH REVISION: v00	PCB REVISION: v00	
		DRAWN BY	CHECKED BY	TECHNICS BY	APPROVED BY
CODE NO	1230150068510/A0	郭斌张林	张林	-	蒋辉

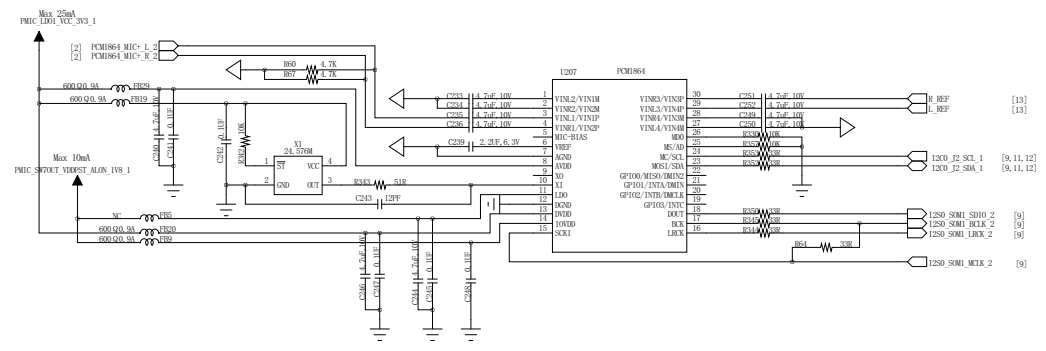
参考MX8平台图



PCM1864 话筒电路

新用

新用



PCM1864 mic 电路

DS90UB935-Q1

MODEL NO HM6C15A (Android P)	MB1	<b>ADAYO</b> Foryou General Electronics Co., Ltd.			
DESCRIPTION 13_J2_PCM1864		SHEET: 13	16	SCH REVISION: v00	PCB REVISION: v00
CODE NO 1230150068510/A0	郭斌引映	DRAWN BY	CHECKED BY 张林	TECHNICS BY -	APPROVED BY 蒋辉