

5

4

3

2

1

D

D

C

C

B

B

A

A

C
Tuesday, August 11, 2015 01:30:34
Sheet 1 of 2

5

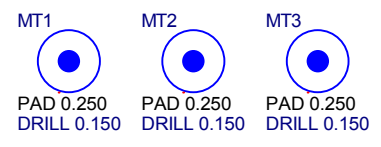
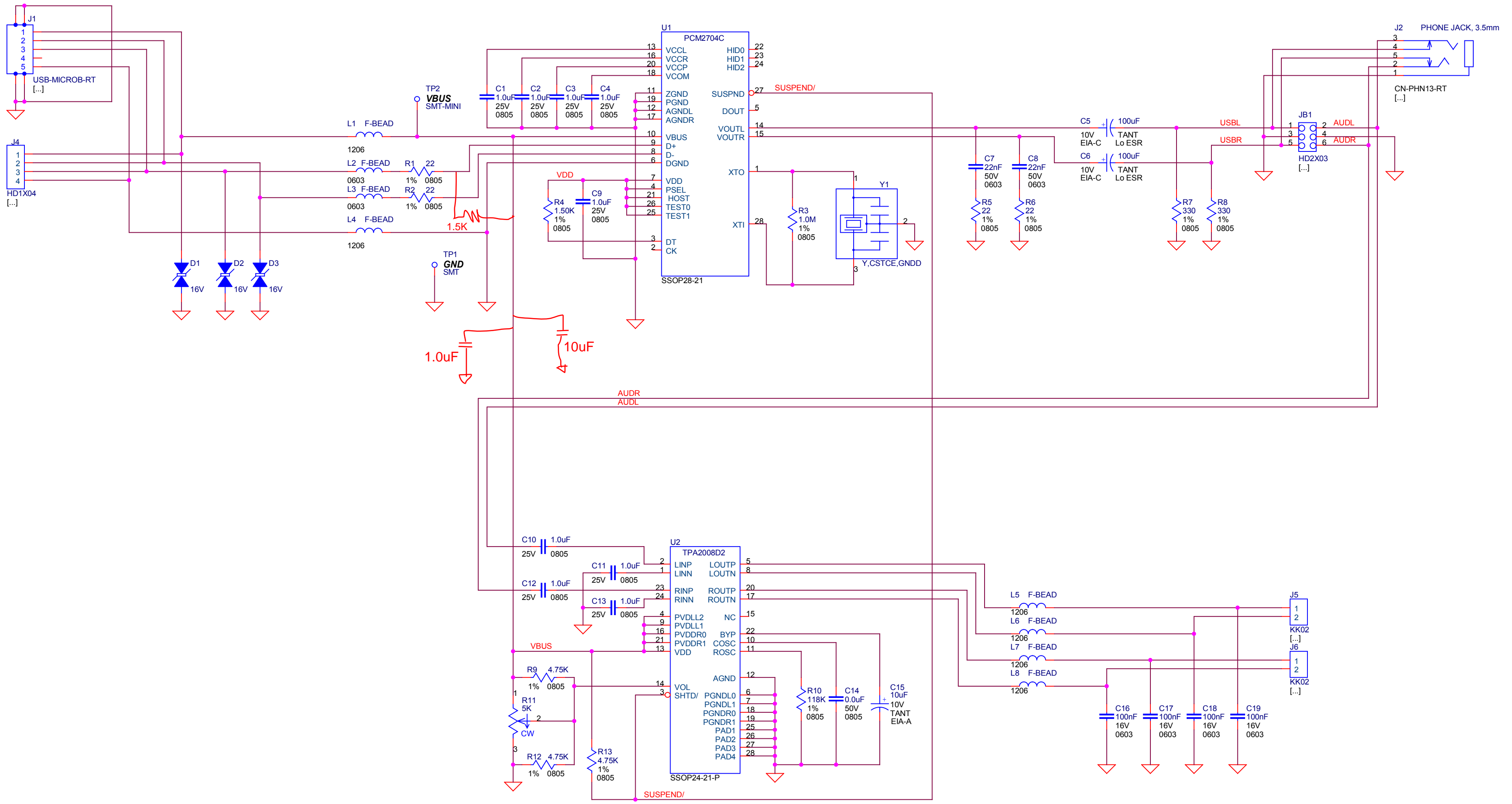
4

3

2

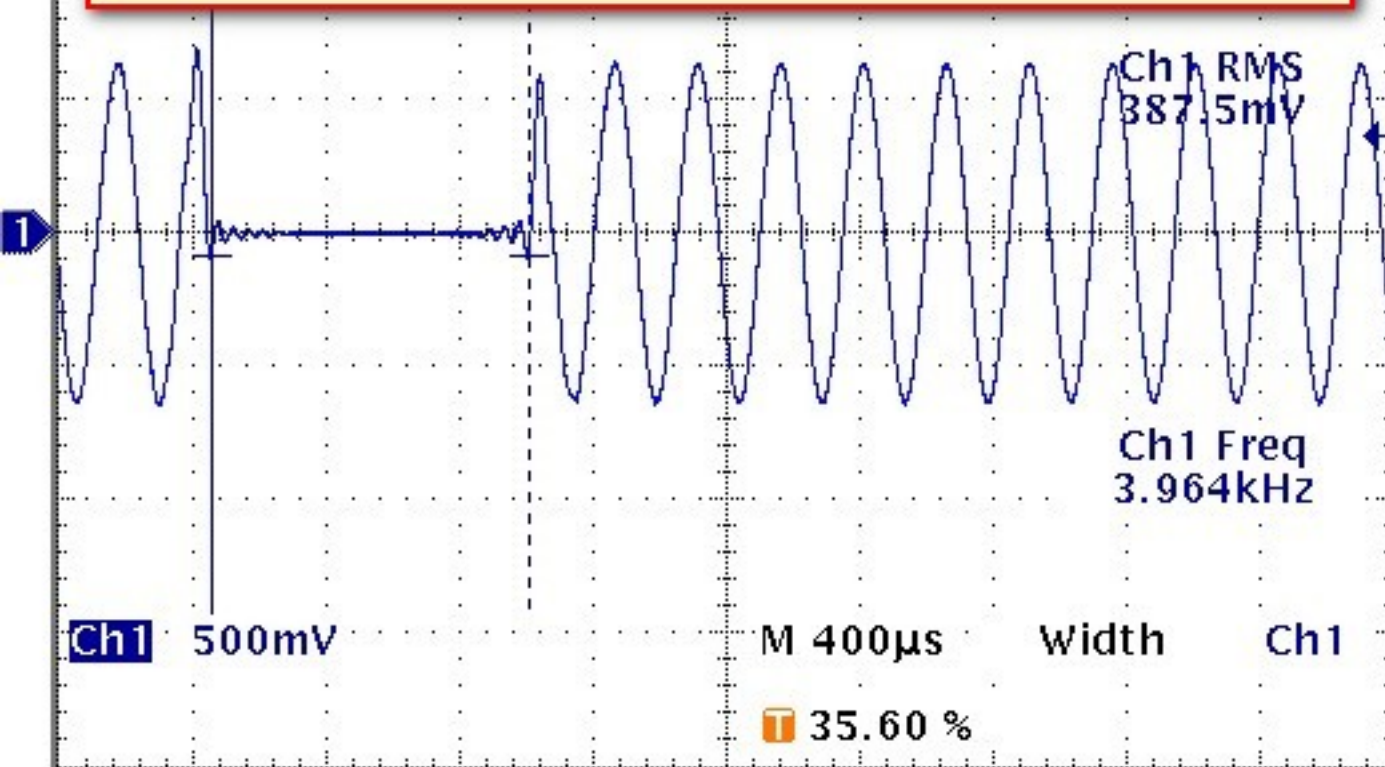
1





Δ : 952 μ s Δ : 0.00 V
 $@$: -968 μ s $@$: -90.0mV

4KHz tone generated by Audacity on Win 7 PC. Signal observed on pin 1 of JB1. This 1mSec dropout occurs regularly about every 204 mS. TI PCM2704C USB DAC.



Cursor
Function

Off

H Bars

V Bars

Bring
Selected
Cursor To
Center Screen

Bring Both
Cursors On
Screen

Function
V Bars

Mode
Ind

V Bar
Units
Seconds

H Bar
Units
Base