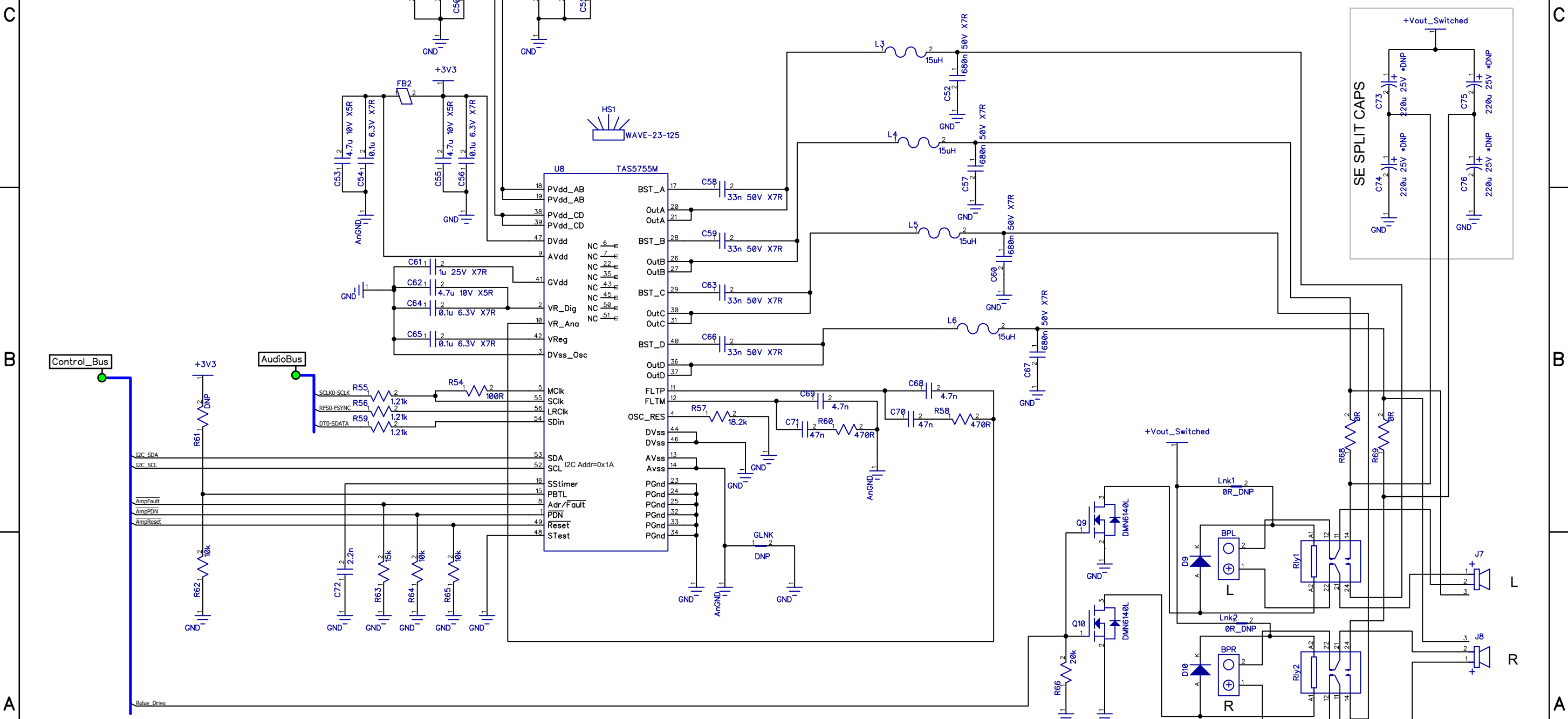


REVISIONS 2d - 2e				
ZONE	REV	DESCRIPTION	DATE	APPROVED
A3	2e	R64,R65 pop'd 10k	8/23/18	
B3	2e	PDN Reset Connected	8/23/18	

Build was 2d



Component values are for 12.6V battery, 2.0 mode version  
 For 2.0 build, R68 & R69 are populated and C73,C74,C75,& C76 are not populated  
 For 2.1 build, R68 & R69 are not populated and C73,C74,C75,& C76 are populated

Eng.	Init	Date	by MB Electronic Design		Size
TMawson	TM	5/12/18			B
Amplifier			Title:	Bluetooth Speaker Small	Rev
Sheet:	3 of 3		Dwg.#		2e