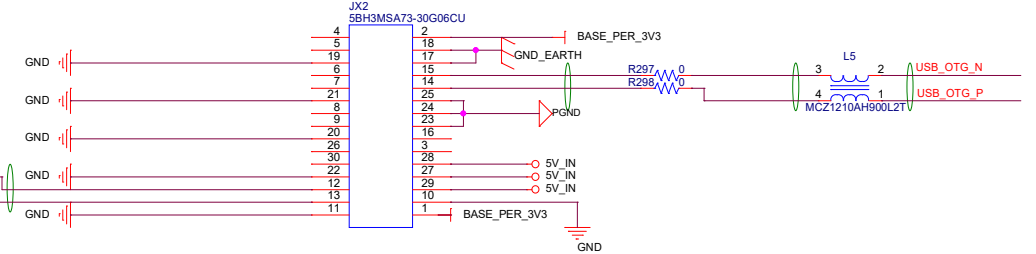
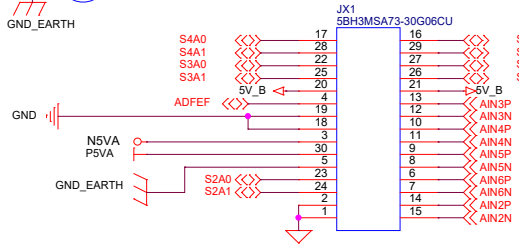
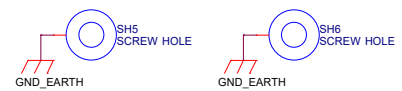
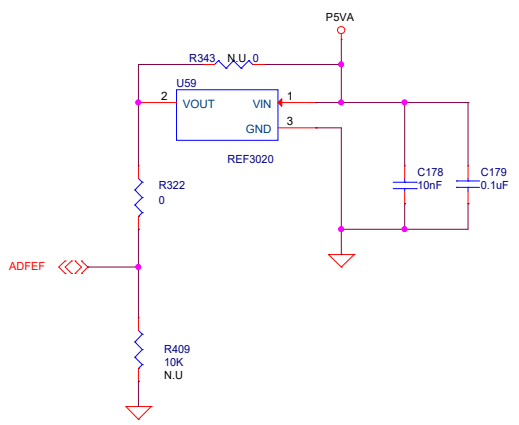
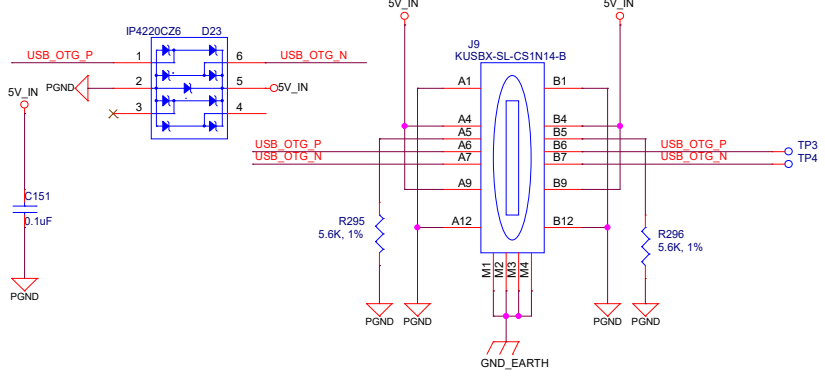
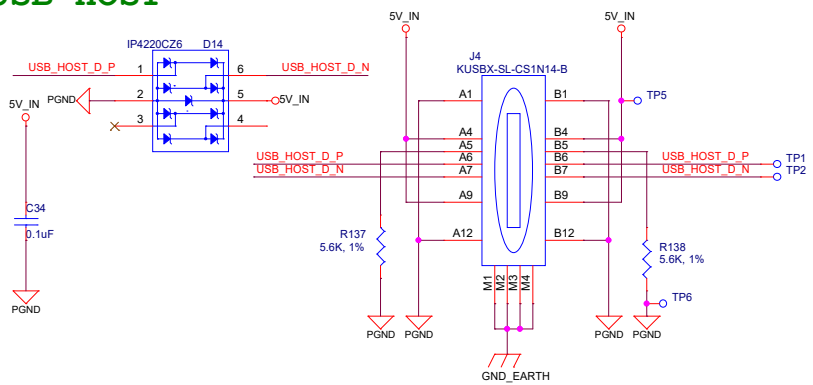
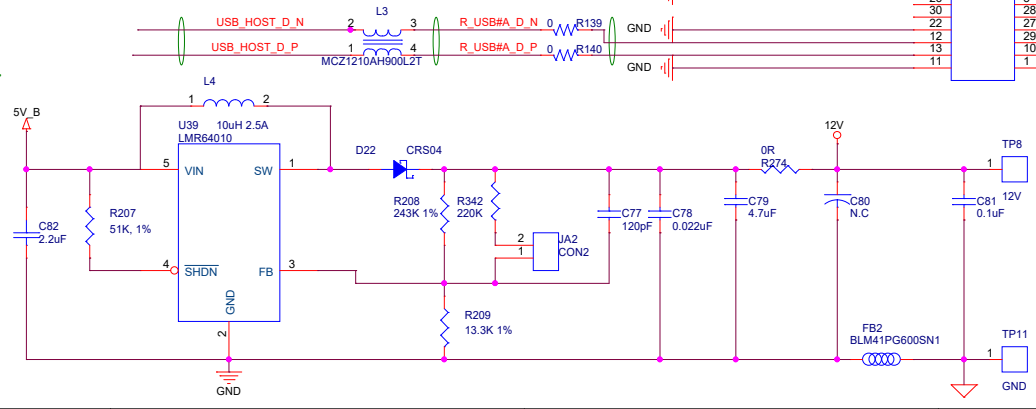


1	Sense_S3P	R410	N/C	AN3P
2	Sense_S3N	R411	N/C	AN3N
3	Sense_S4P	R412	N/C	AN4P
4	Sense_S4N	R413	N/C	AN4N
5	Sense_S5P	R414	N/C	AN5P
6	Sense_S5N	R415	N/C	AN5N
7	Sense_S6P	R416	N/C	AN6P
1	Sense_S6N	R417	N/C	AN6N
2	Sense_S2P	R418	N/C	AN2P
3	Sense_S2N	R419	N/C	AN2N
4				12V
5				5V_B
6				
7				BASE_PER_3V3

USB HOST



12V/24V FROM 5V



Title	<Title>	
Size	A3	Document Number
		<Doc>
Date:	Thursday, July 02, 2020	Sheet 3 of 3
		Rev C7