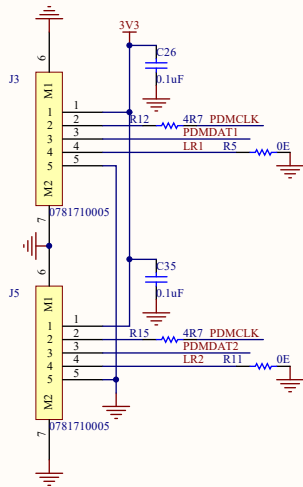
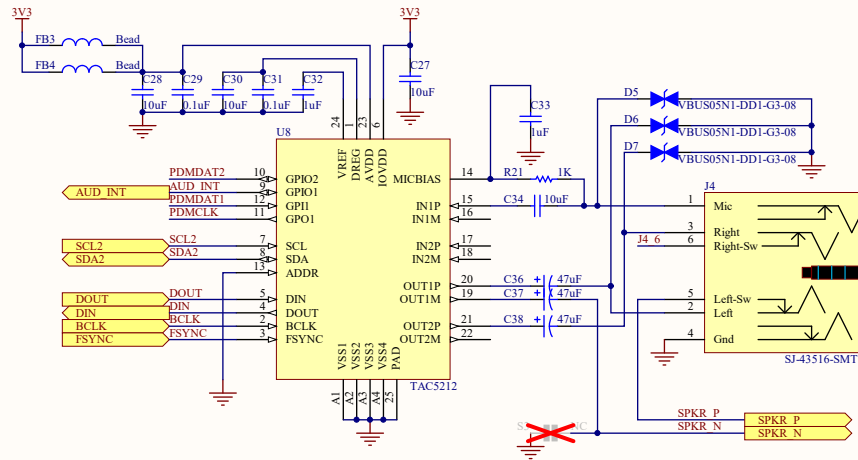


MIC PCBs



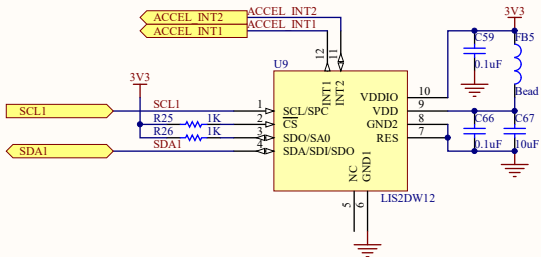
CODEC

I2C ADD = 0x50

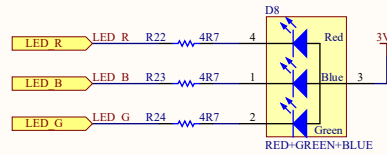


ACCELEROMETER

I2C ADD = 0x19

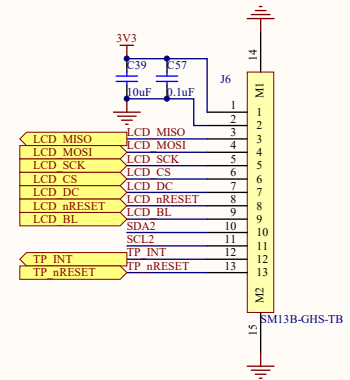


RGB LED

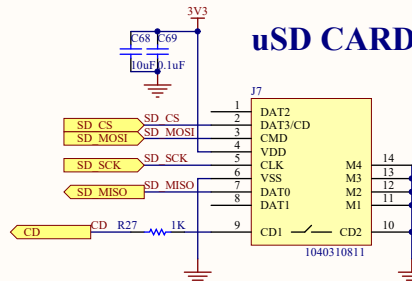


DISPLAY

I2C ADD = 0x15



uSD CARD



Revision 1.0	
SIZE A3	ELEC Kirti Patil
SUB TITLE 06 AUDIO.SchDoc	
DATE 02-03-2024	ASSY. NO. STETHO
FAB. NO. STETHO	SHEET 6 OF 6