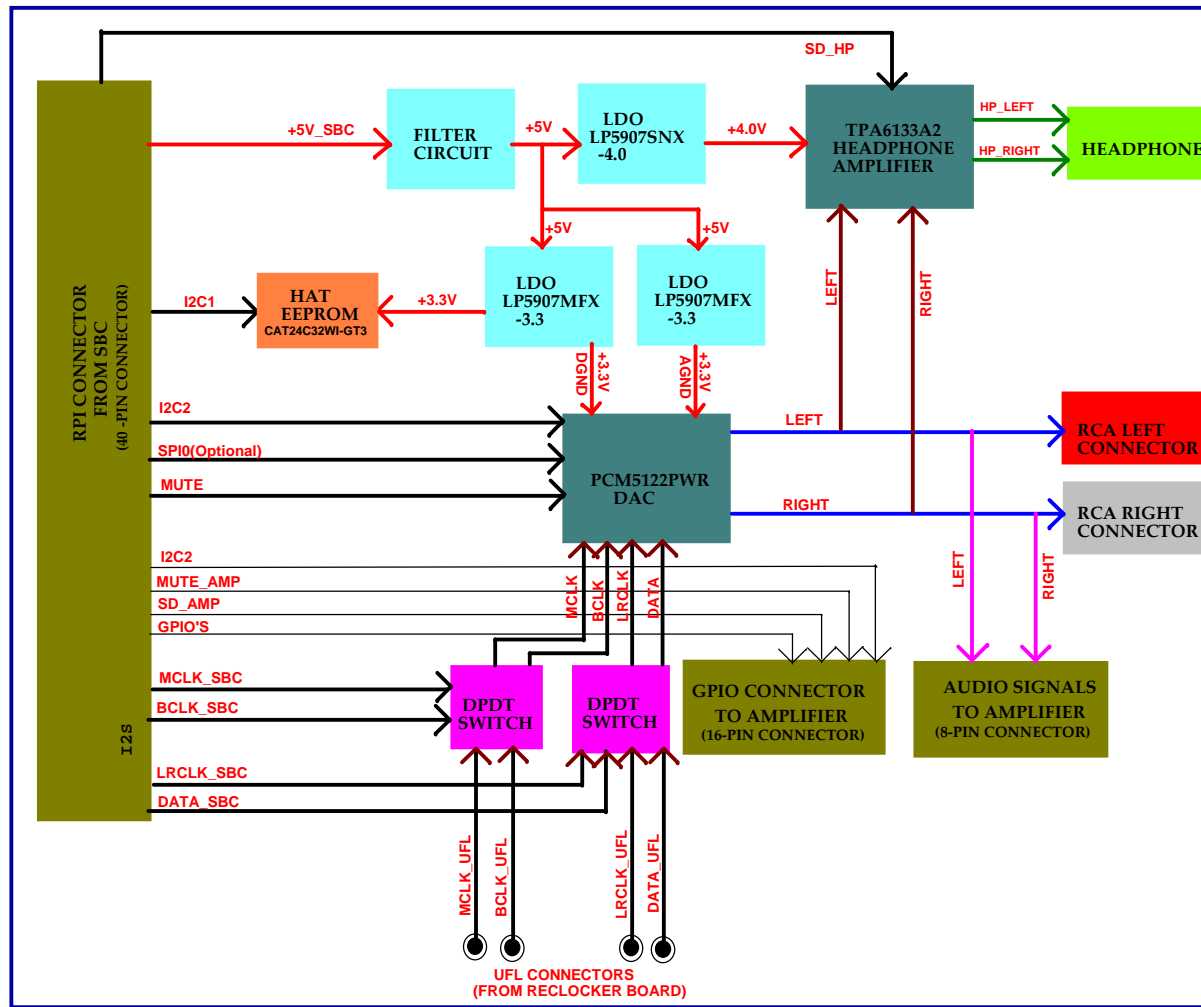
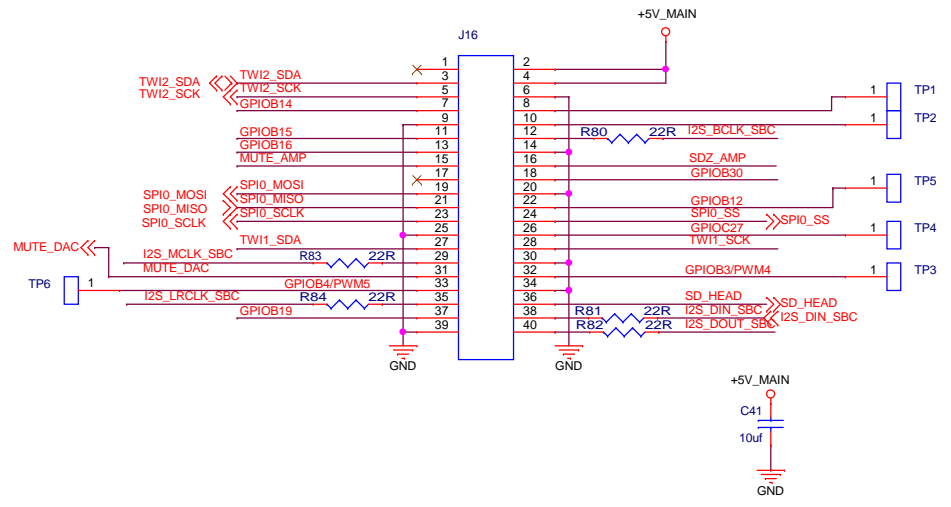


TI DAC BOARD BLOCK DIAGRAM

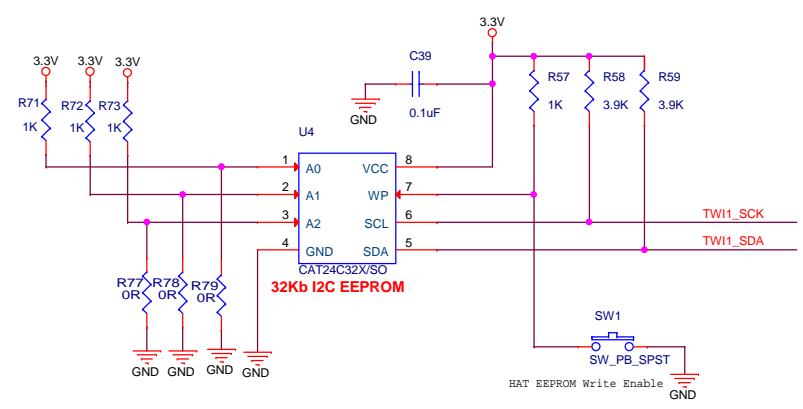


| | | |
|--------|----------------------------|--------------|
| Title | <Title> | |
| Size B | Document Number | Rev 1 |
| Date: | Tuesday, November 03, 2015 | Sheet 1 of 5 |

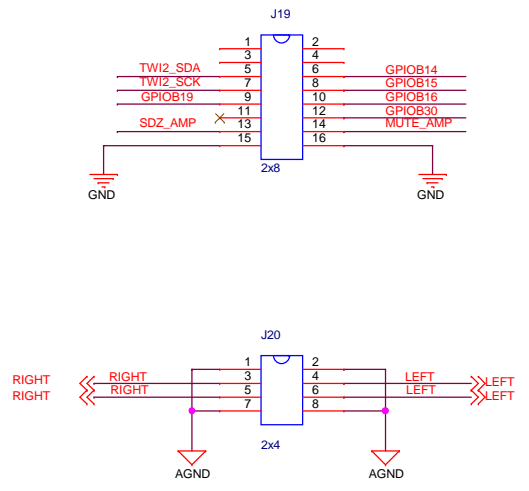
GPIO(RPI) CONNECTOR_MAIN



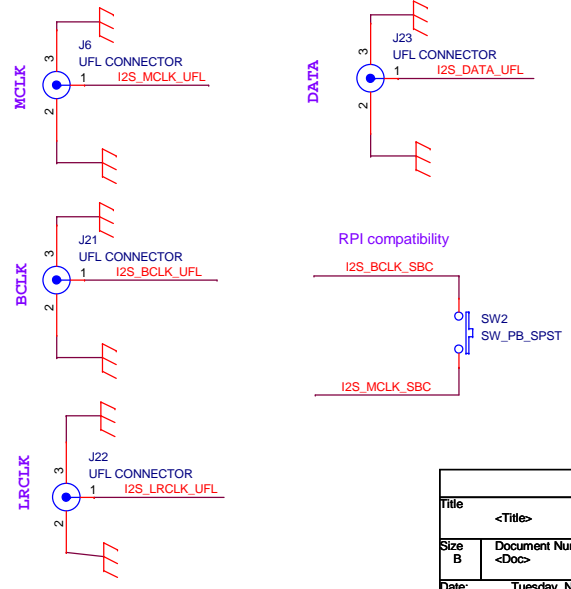
EEPROM(HAT)



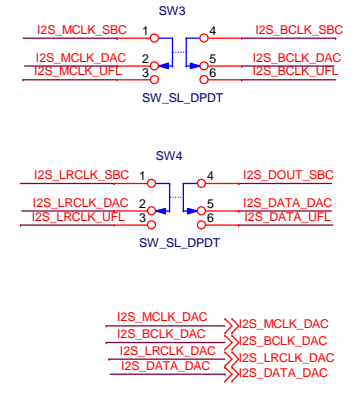
GPIO CONNECTOR TO AMPLIFIER



UFL CONNECTOR

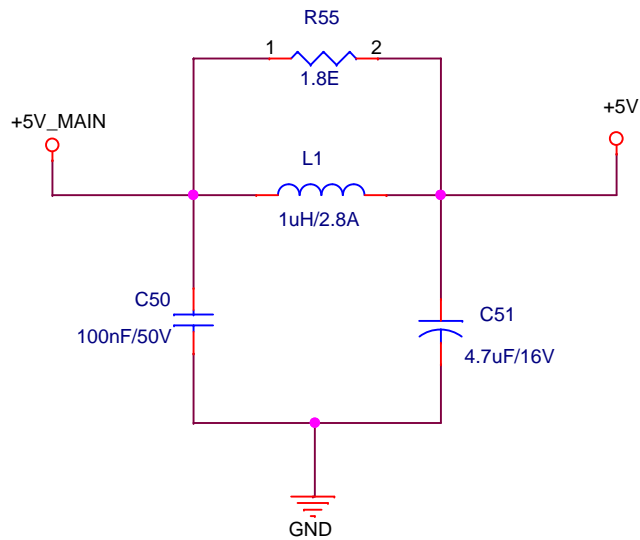


DPDT SWITCH

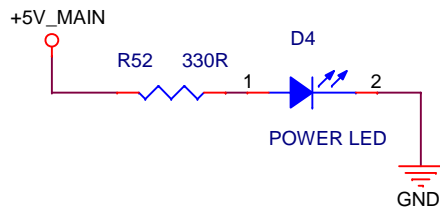


| | | |
|-------|----------------------------|--------------|
| Title | <Title> | |
| Size | Document Number | Rev 1 |
| Date: | Tuesday, November 03, 2015 | Sheet 2 of 5 |

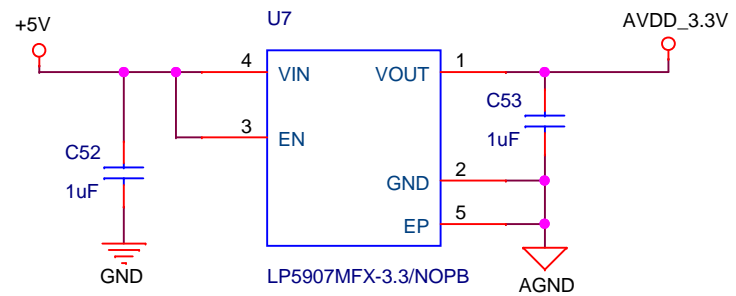
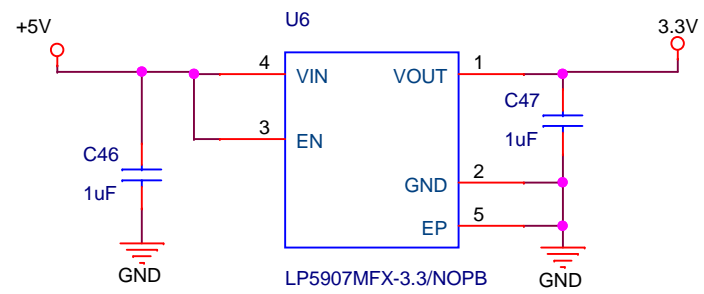
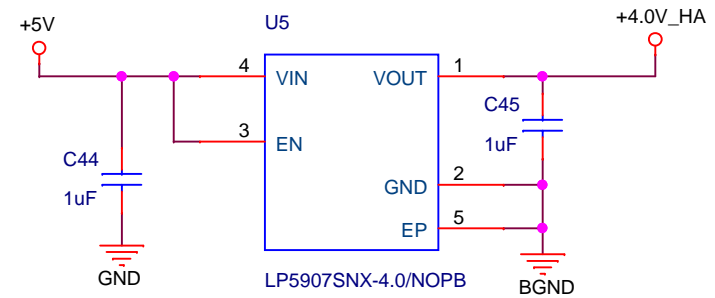
FILTER CIRCUIT



CAD : Place this filter circuit near to Source(J16/2 & J16/4)

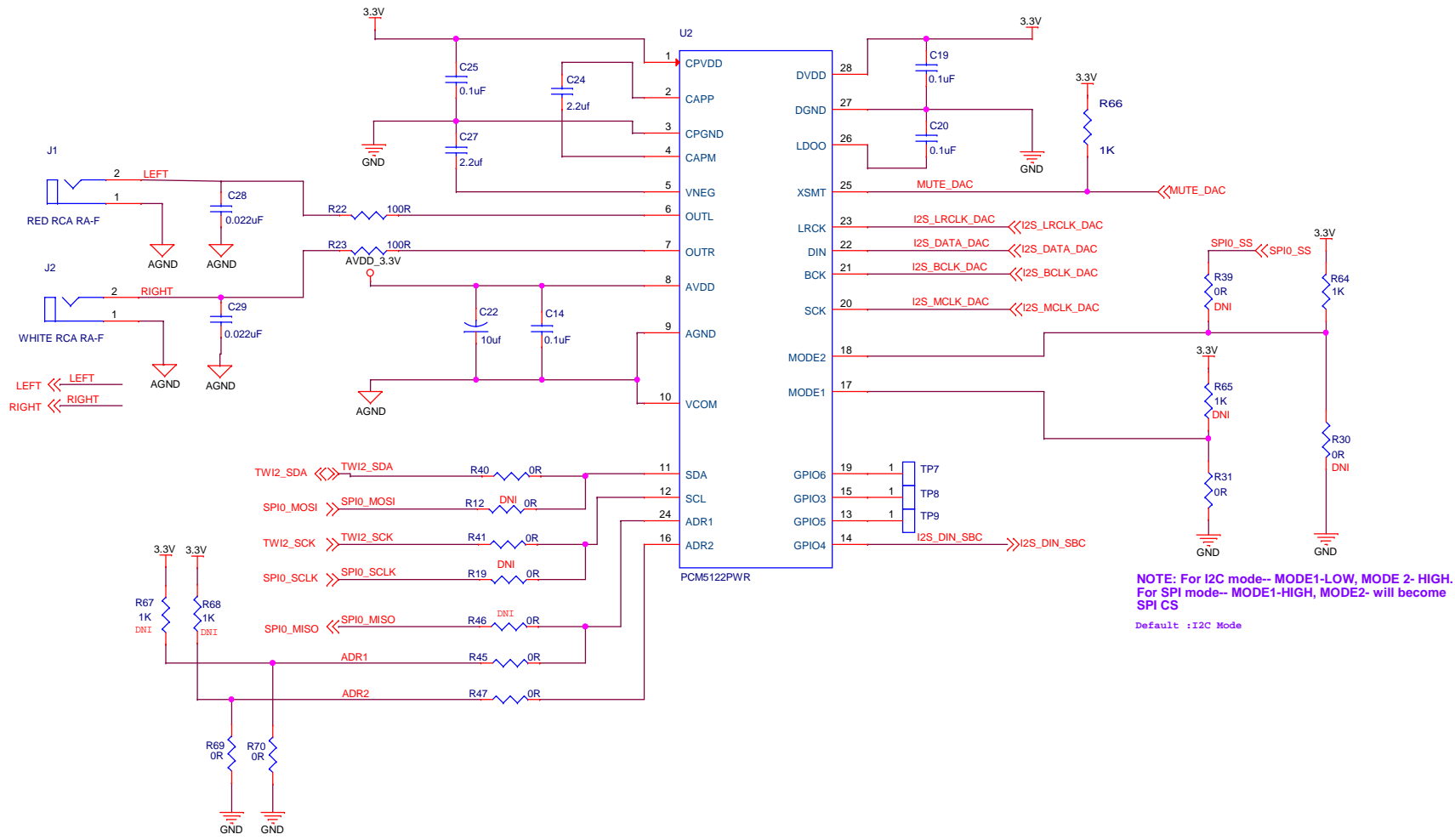


ULTRA LOW NOISE LDO'S

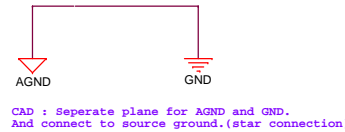


| | | |
|------------------|----------------------------|--------------|
| Title <Title> | | |
| Size A | Document Number <Doc> | Rev 1 |
| Date: | Tuesday, November 03, 2015 | Sheet 3 of 5 |

DAC

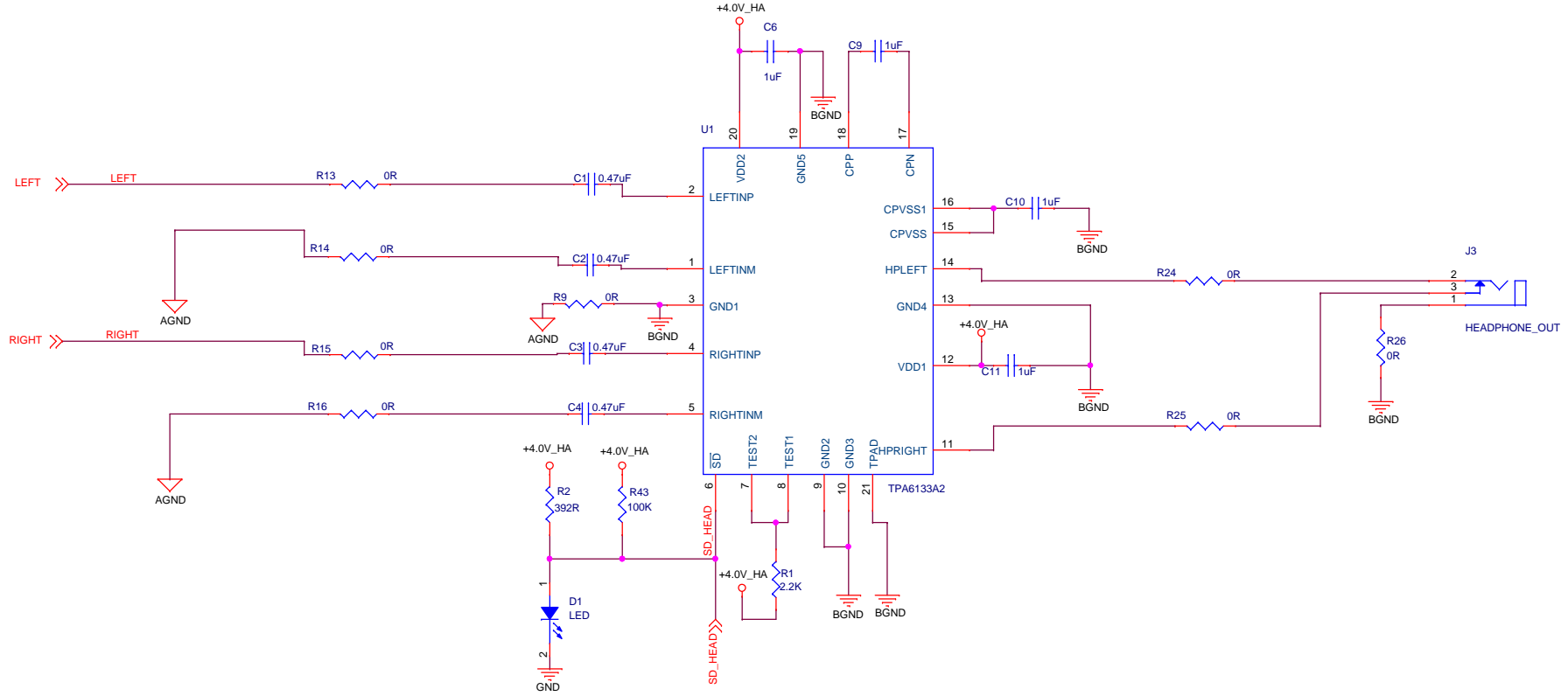


NOTE: For I2C mode-- MODE1-LOW, MODE 2- HIGH.
 For SPI mode-- MODE1-HIGH, MODE2- will become SPI CS
 Default : I2C Mode



| | | |
|--------|----------------------------|--------------|
| Title | <Title> | |
| Size B | Document Number <Doc> | Rev 1 |
| Date: | Tuesday, November 03, 2015 | Sheet 4 of 5 |

HEADPHONE AMPLIFIER



| | | | |
|-------|----------------------------|-------|--------|
| Title | <Title> | | |
| Size | Document Number | Rev | |
| B | <Doc> | 1 | |
| Date: | Tuesday, November 03, 2015 | Sheet | 5 of 5 |