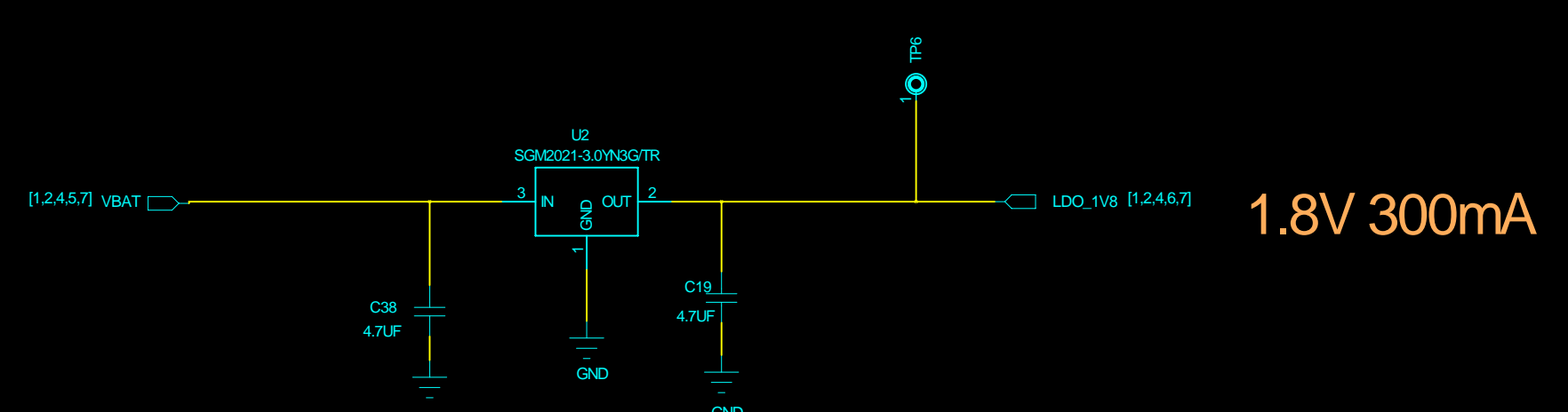
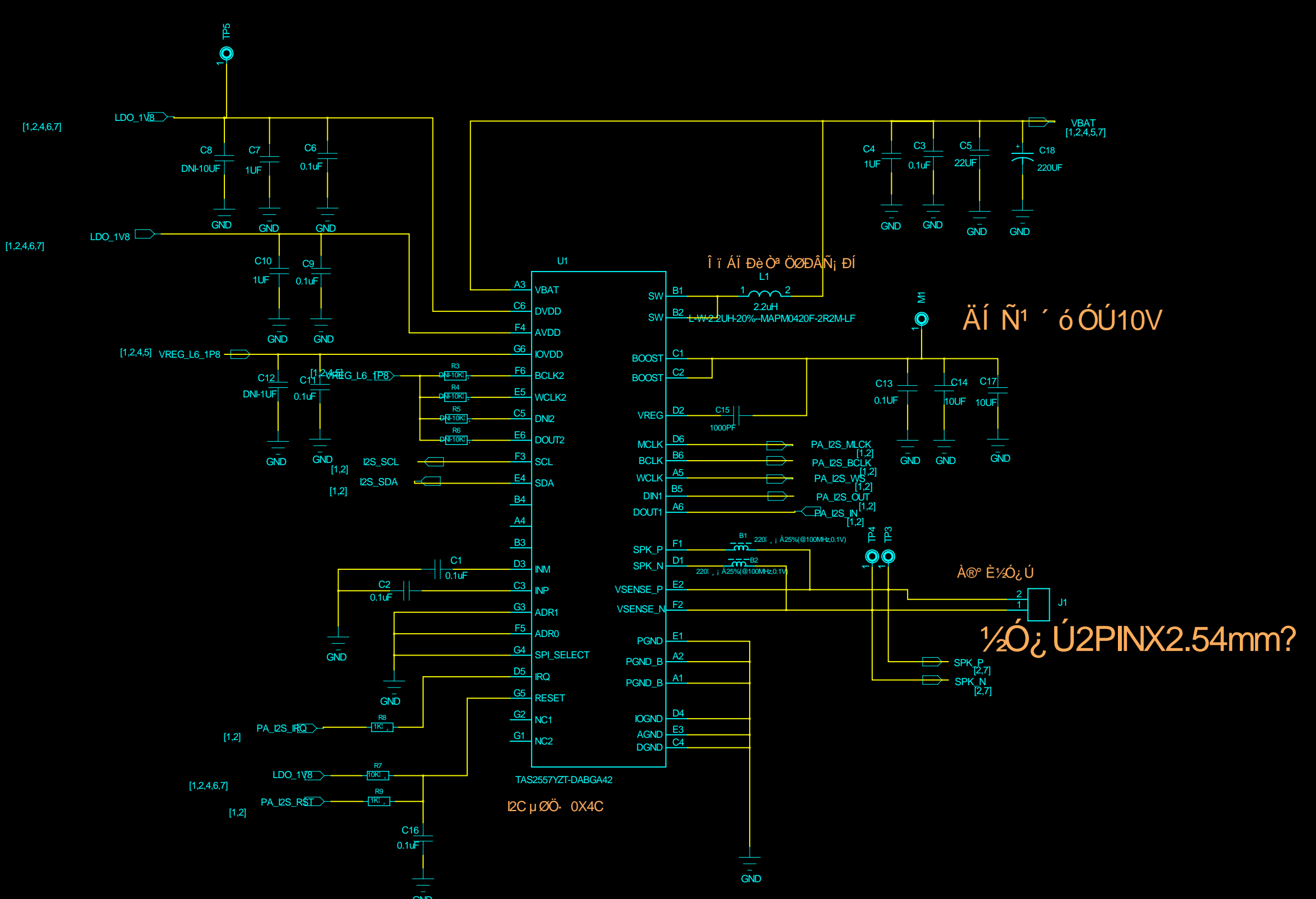
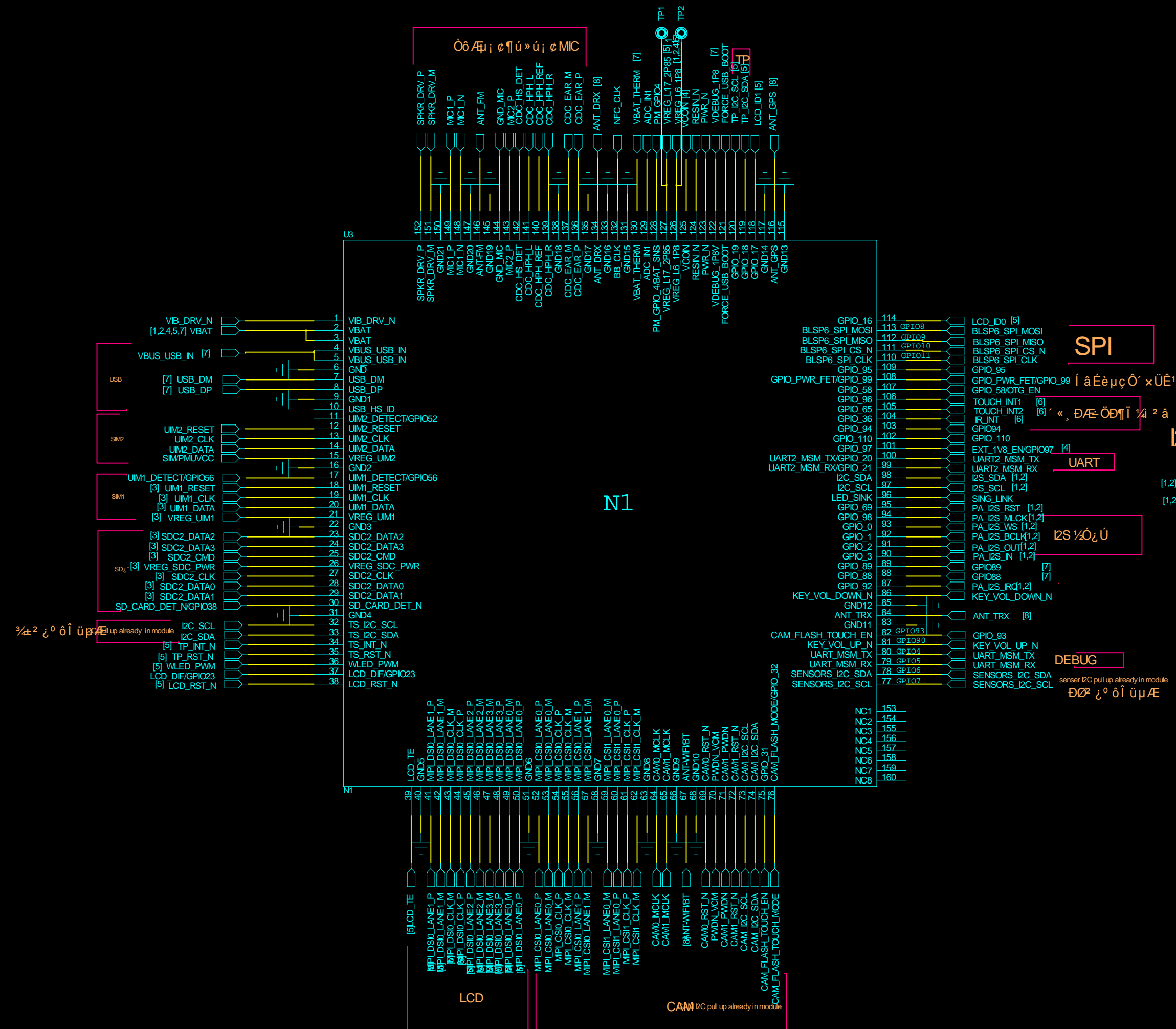


REVISION RECORD			
LTR	ECONO.	APPROVED	DATE

N1 PINS



COMPANY: <Company Name>			
TITLE: <Title>			
DRAWN: <Drawn By>	DATED: <Drawn Date>	CODE: <Code>	
CHECKED: <Checked By>	DATED: <Checked Date>	SIZE: D	DRAWING NO: <Drawing Number><Revision>
QUALITY CONTROL: <QC By>	DATED: <QC Date>	SCALE: <Scale>	
RELEASED: <Released By>	DATED: <Release Date>	SHEET 6 of 8	