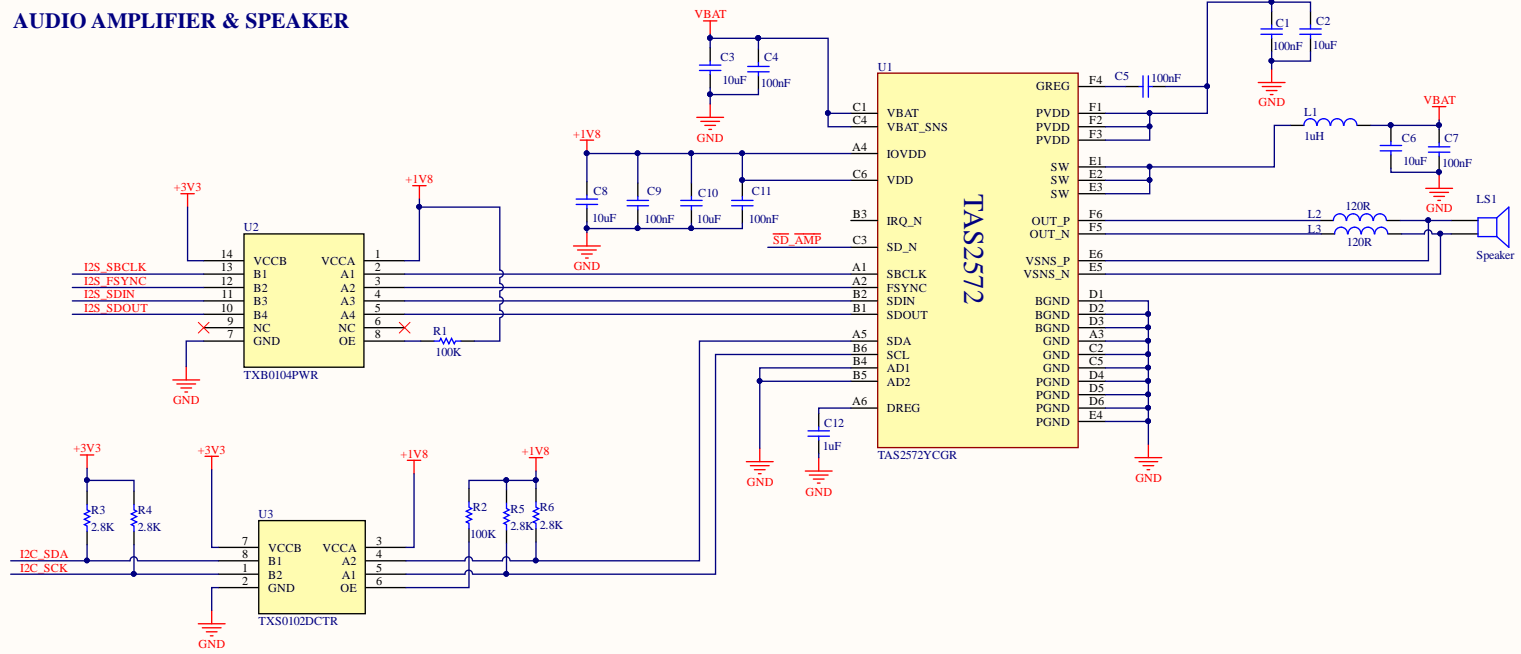


# AUDIO AMPLIFIER & SPEAKER



THIS DOCUMENT CONTAINS PROPRIETARY INFORMATION. DAVID & SPOKE INC. RESERVES ALL RIGHTS TO THIS DRAWING, INCLUDING PATENT APPLICATION RIGHTS, TRANSMITTAL TO THIRD PARTIES, REPRODUCTIONS, OR ANY OTHER FORM OF DISTRIBUTION IS FORBIDDEN WITHOUT THE PRIOR WRITTEN CONSENT OF DAVID & SPOKE INC. OR ITS REPRESENTATIVES.

<b>Title:</b> *			
Document Name: Sheet3.SchDoc		Revision: *	
Size: A3	Drawn By: *	Sheet * of *	

Comment	Description	Designator	Footprint	LibRef	Quantity
	CAP CER SMD 0805 .1UF 35V 10% X7	C1	dV_C0805	Cap	1
	CAP CER 10UF 35V X7R 1206	C2	dV_C1206	Cap	1
	CAP CER 10UF 10V X5R 0402, CAP CER 0.1UF 10V X5R 0402, CAP CER 0.1UF 25V X7R 0402	C3, C4, C5, C6, C7, C8, C9, C10, C11	dV_C0402	Cap	9
	CAP CER 1UF 16V X5R 0603	C12	dV_C0603	Cap	1
	FIXED IND 1UH 3.3A 0.04OHM SMD	L1	IND_DFE252012F- 1R0M=P2_MUR	Inductor	1
	FERRITE BEAD 120 OHM 0805 1LN	L2, L3	dV_L0805	Inductor	2
	RES SMD 100K OHM 5% 1/16W 0402, RES 2.8K OHM 1% 1/16W 0402	R1, R2, R3, R4, R5, R6	dV_R0402	Res1	6
TAS2572YCGR	6.6W DIGITAL-INPUT SMART AMPLIFI	U1	TAS2572YCGR	TAS2572YCGR	1
TXB0104PWR	IC TRANSLATOR BIDIR 14TSSOP	U2	TXB0104PWR	TXB0104PWR	1
TXS0102DCTR	IC TRANSLATOR BIDIRECTIONAL SM8	U3	TXS0102DCTR	TXS0102DCTR	1