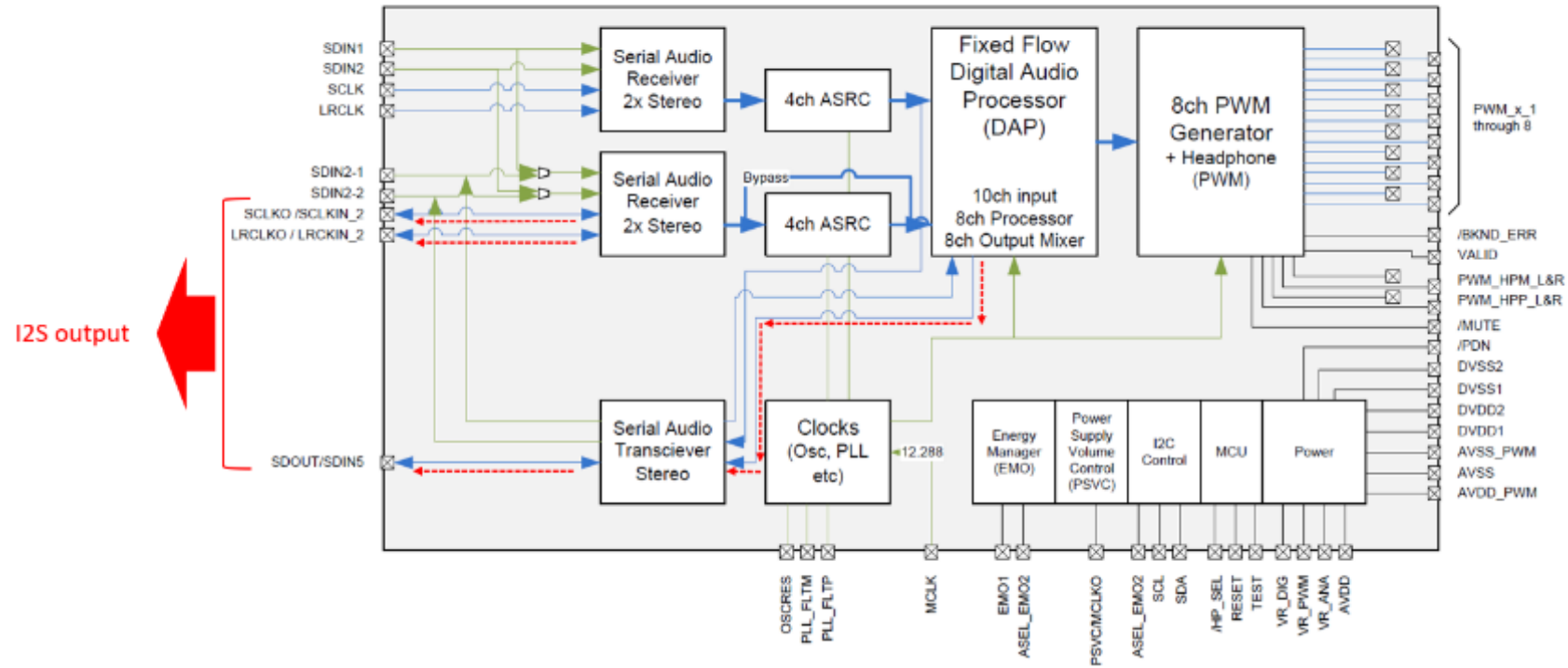


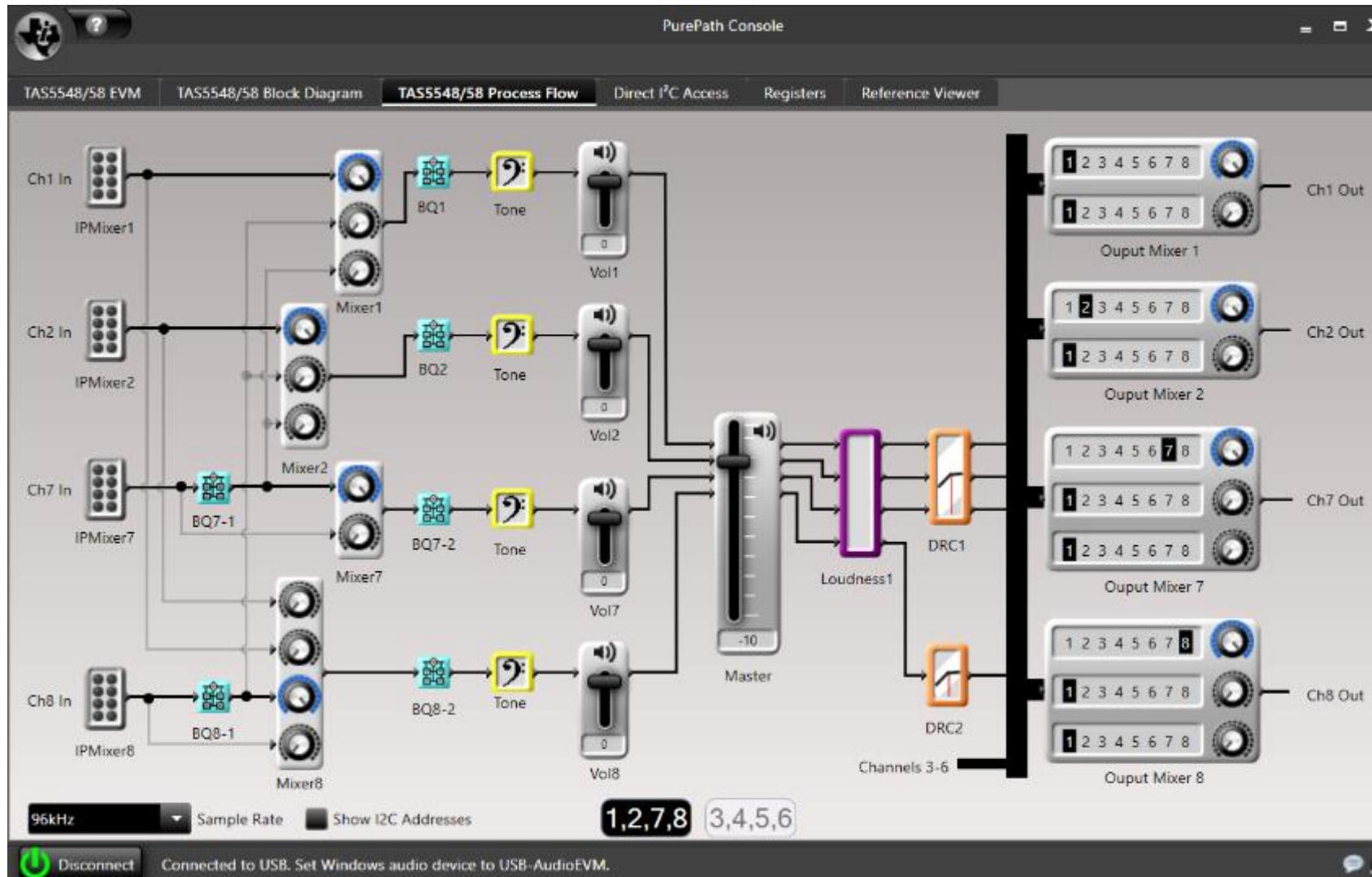
TAS5558

Can the SDOUT/SCLKO/LRCLKO(I2S) output signals (SDOUT) processed by DAP (Biquad Control/Tone/Volume/Loudness/DRC)?

Block Diagram



The customer is checking the combination of the TAS5548EVM replacing the IC with the TAS5558 and the PurePath Console 1.16, but the signal processed by DAP (Biquad Control/Tone/Volume/Loudness/DRC) is not output from the SDOUT.



"Select DAP output for serial out" in Register 0xC5 (ASRC Mode Control) is set to "11."

Table 59. ASRC Mode Control 0xC5 (continued)

D31	D30	D29	D28	D27	D26	D25	D24	FUNCTION
						1	0	Select ASRC channel 3+4 (from SDIN2) outputs for serial out
						1	1	Select DAP output for serial out

