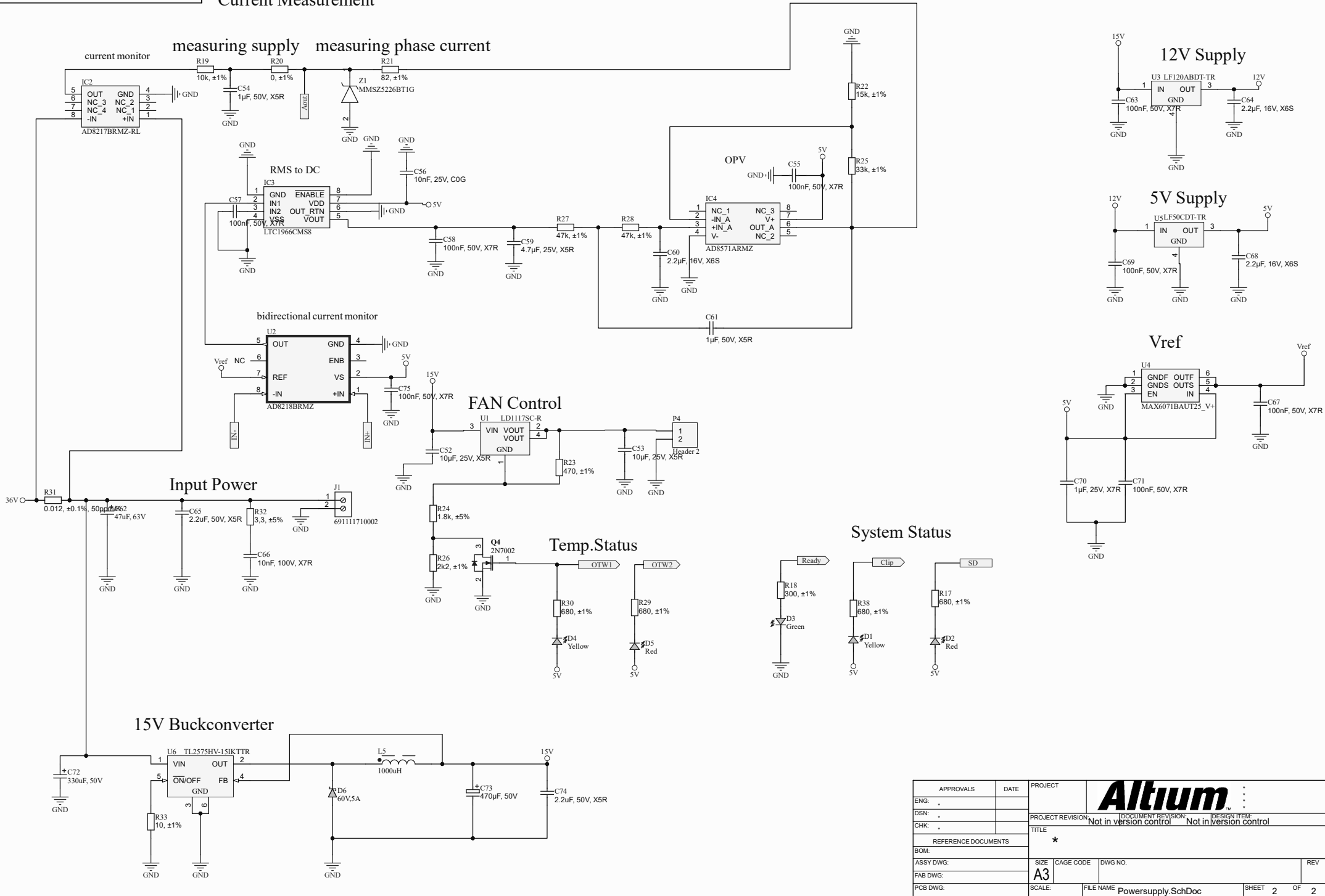


THIS DOCUMENT AND THE DATA DISCLOSED HEREIN OR HEREWITH IS THE PROPERTY OF ALTUM LIMITED AND MAY BE FREELY DISTRIBUTED IN WHOLE. NO RIGHTS ARE RESERVED OR EXPRESS OR IMPLIED WARANTEE GIVEN.

# Current Measurement

REVISION	DESCRIPTION	DATE	APPROVED



APPROVALS	DATE	PROJECT	Altium	
ENG: -		PROJECT REVISION: -	DOCUMENT REVISION: -	DESIGN ITEM: -
DSN: -		Not in version control		
CHK: -		Not in version control		
REFERENCE DOCUMENTS		*		
BOM:		SIZE: A3	CAGE CODE:	DWG NO.:
ASSY DWG:		SCALE:	FILE NAME: Powersupply_SchDoc	SHEET 2 OF 2
FAB DWG:				
PCB DWG:				