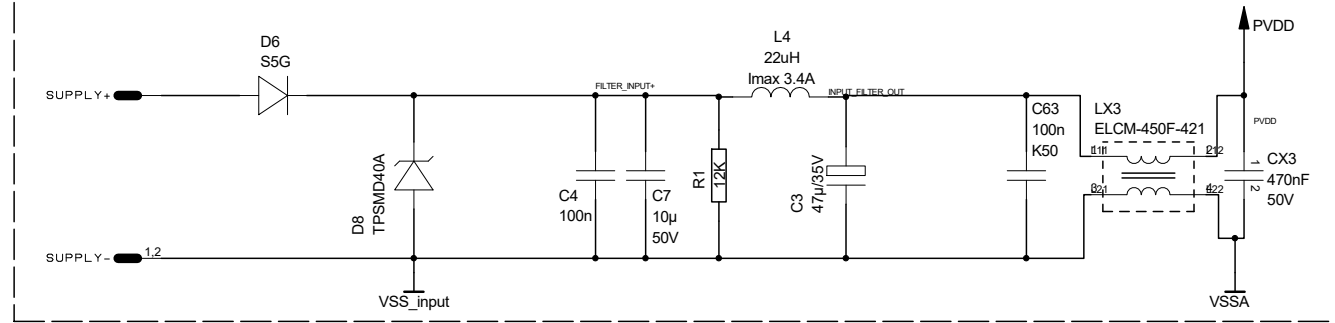
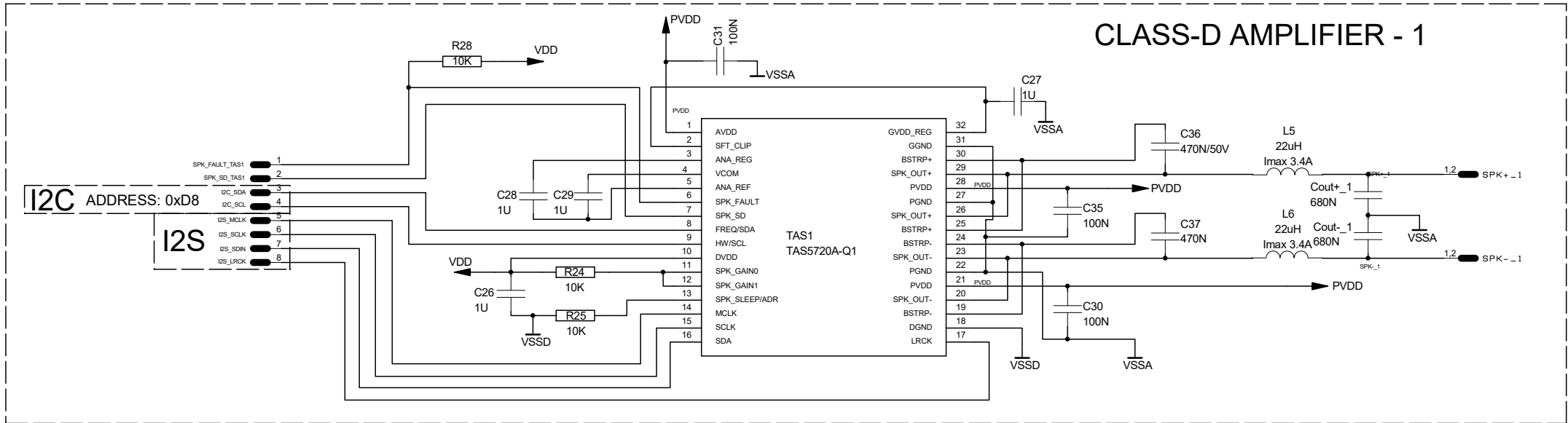


24V POWER SUPPLY



CLASS-D AMPLIFIER - 1



I2C ADDRESS: 0x92 SPEED: FAST MODE (400kHz)

