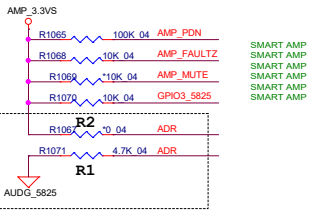
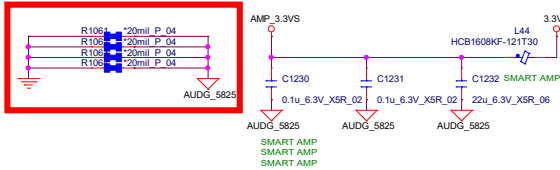


**PCH SMBUS 匯**

Item	SMBus Device	SMBus Address	Remark
1	G-Sensor	0x30 ~ 0x32	
2	Smart Amplifier	0x98 ~ 0x9A · 0x9C · 0x9E	應避免與 Thermal Sensor 同一位址，目前已知魯大陣會對 0x98 · 0x9A · 0x9C 做 polling
3	DRAM	0xA0 · 0xA2 · 0xA4 · 0xA8	
4	Touch Pad	0x2C	

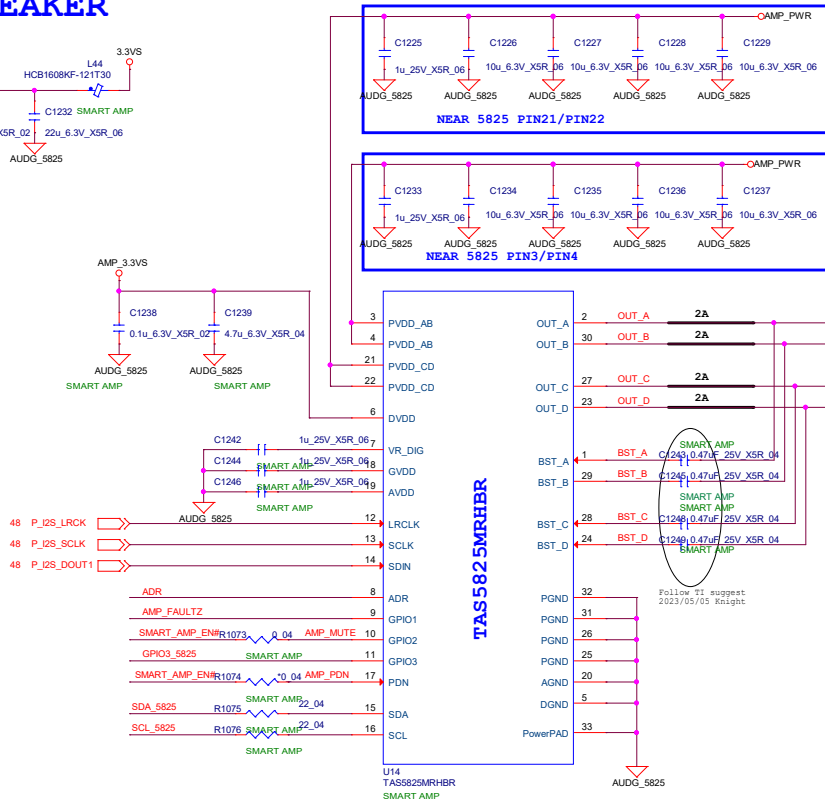
## AUDIO AMP FOR SPEAKER



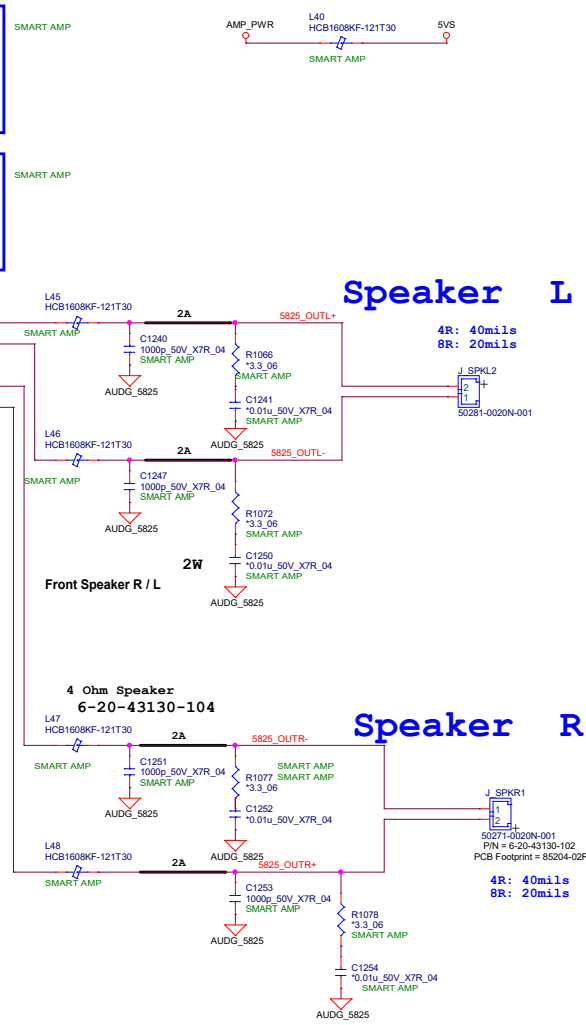
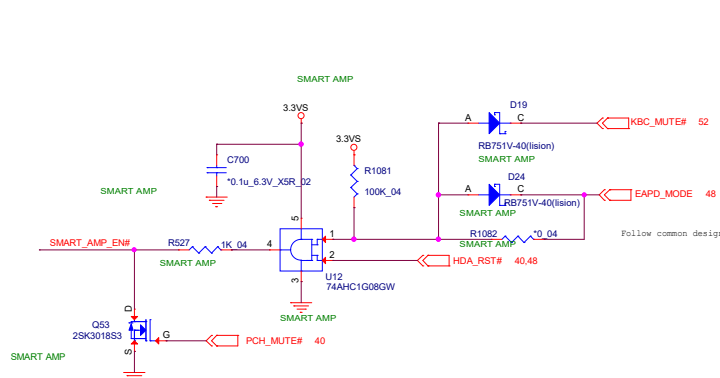
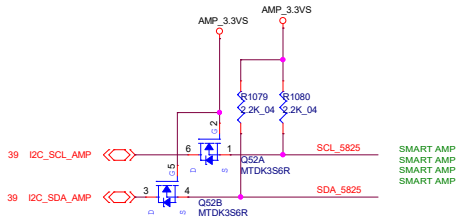
1001110 (0x9C)

**ADR PIN Config (I2C Slave Address 0)**

R1	R2	I2C Adr
0 ohm	DNP	ADR0
1K	DNP	ADR1
4.7K	DNP	ADR2
15K	DNP	ADR3



GPIO9 9 DI/O General-purpose input/output, function of this pin can be programmed by register (Register Address 0x60b and 0x61b)  
 GPIO10 10 DI/O General-purpose input/output, function of this pin can be programmed by register (Register Address 0x60b and 0x62b)  
 GPIO12 12 DI/O General-purpose input/output, function of this pin can be programmed by register (Register Address 0x60b and 0x63b)



**Speaker L**

**Speaker R**

4R: 40mils  
8R: 20mils

4R: 40mils  
8R: 20mils