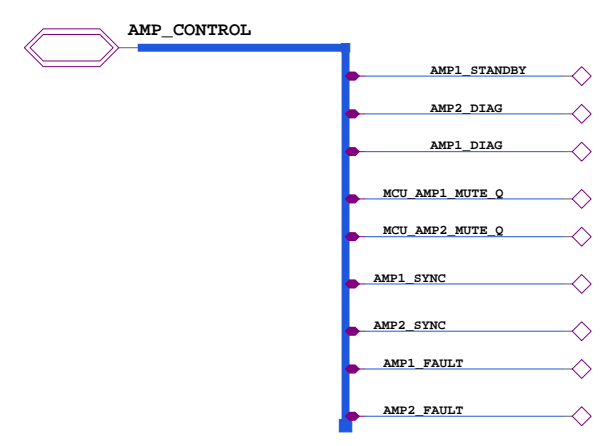






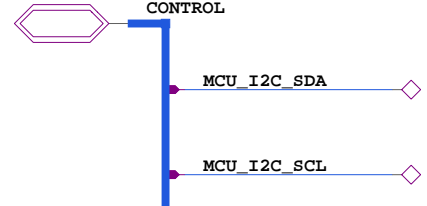
AMP\_CONTROL



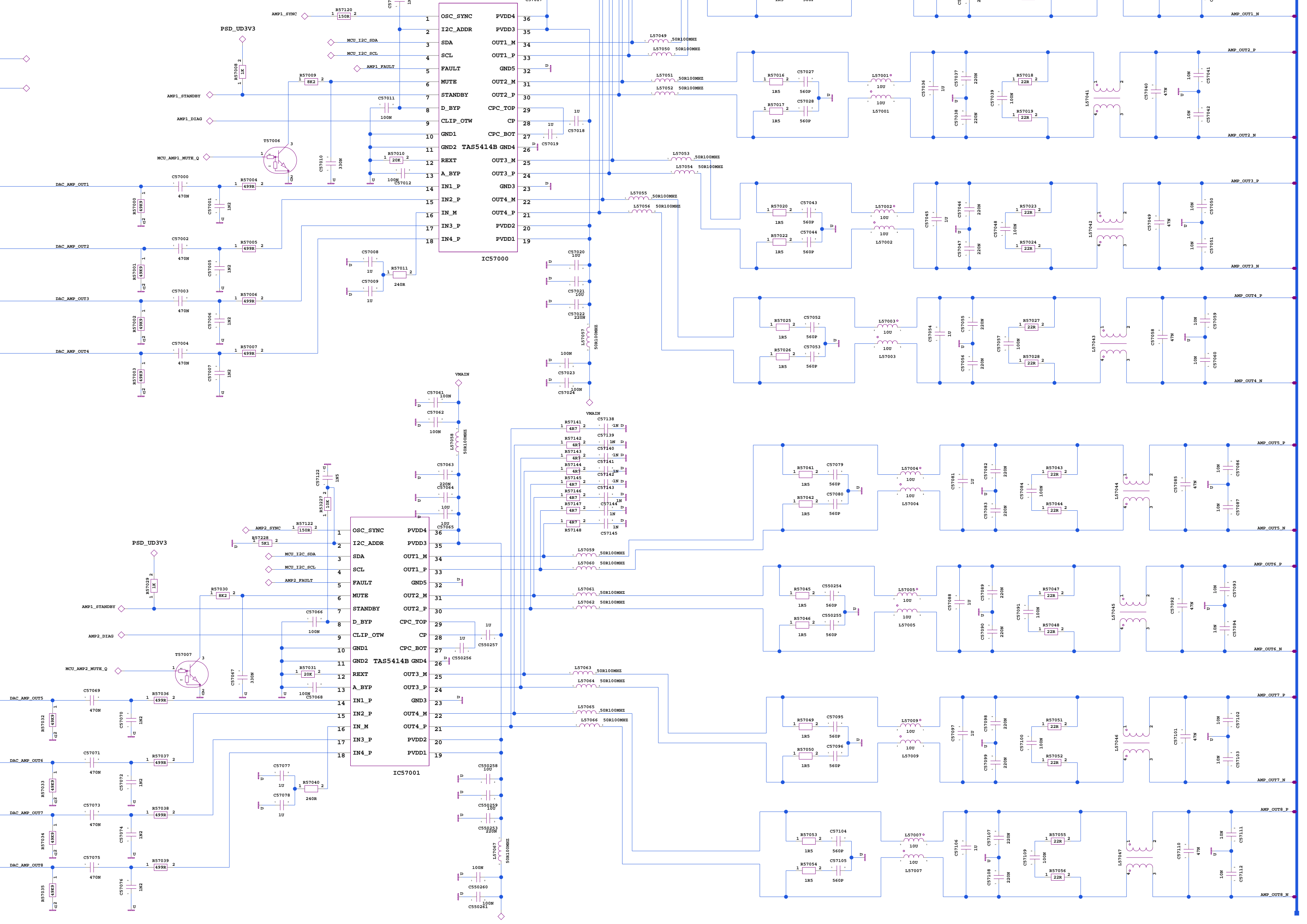
POWER



CONTROL



DAC AMP AUDIO



CONN



















