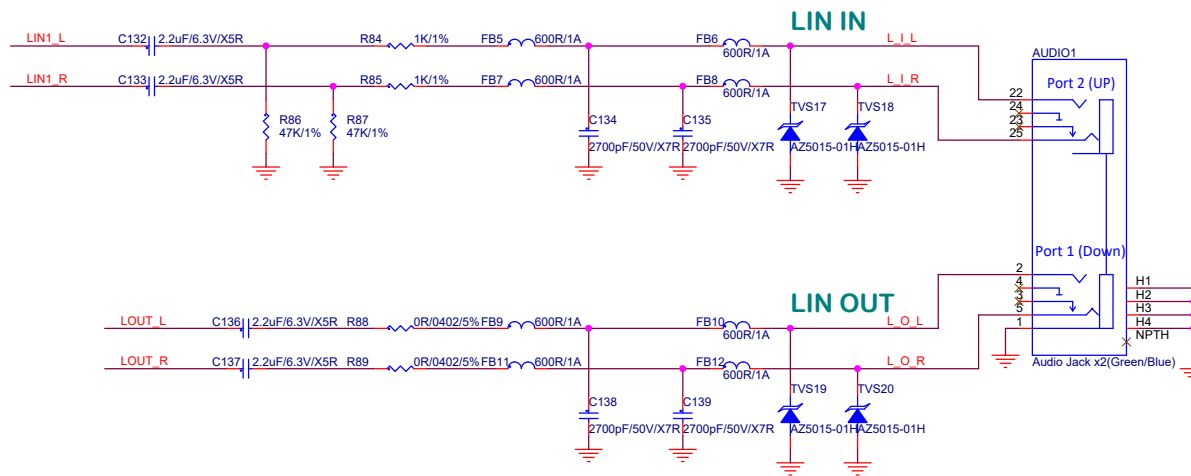
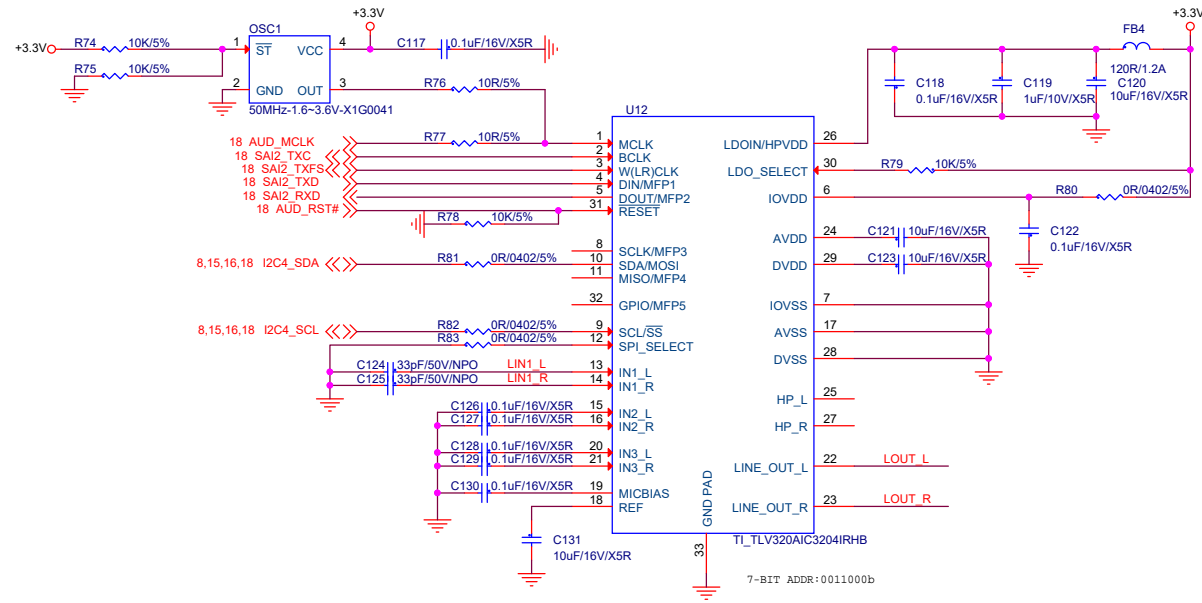


I2S Audio Codec



Design	
PCB PN	
Page	I2S Audio Codec
Size	A3
Date:	Tuesday, August 18, 2020
Sheet	12 of 19
Rev	A