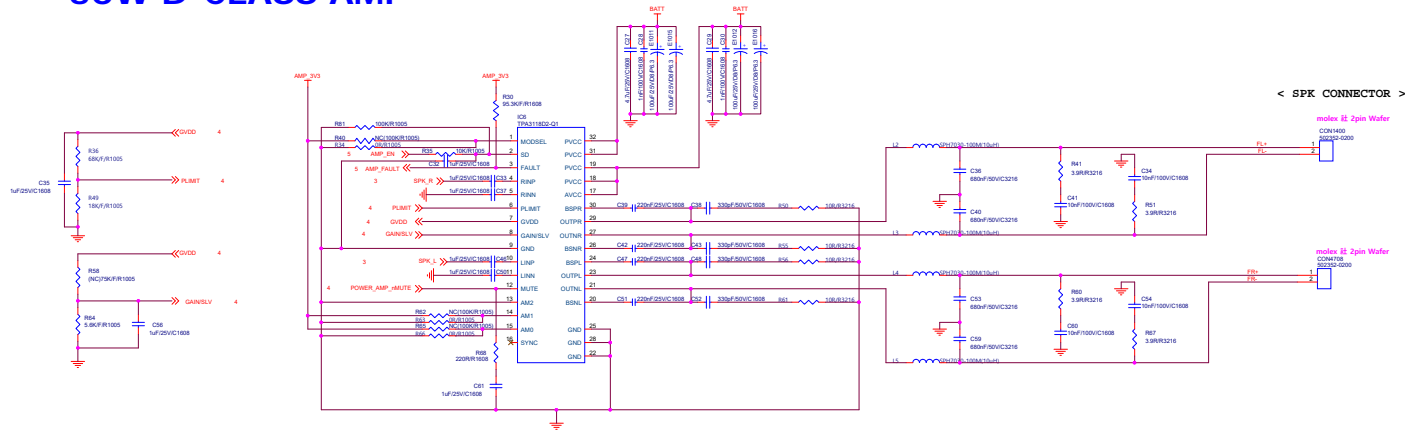
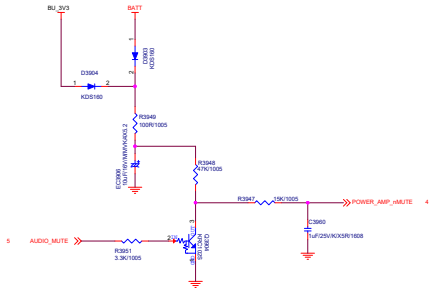


50W D-CLASS AMP



< MUTE >



AMP_3V3 [MAIN_5V to VDD_3.3V]

