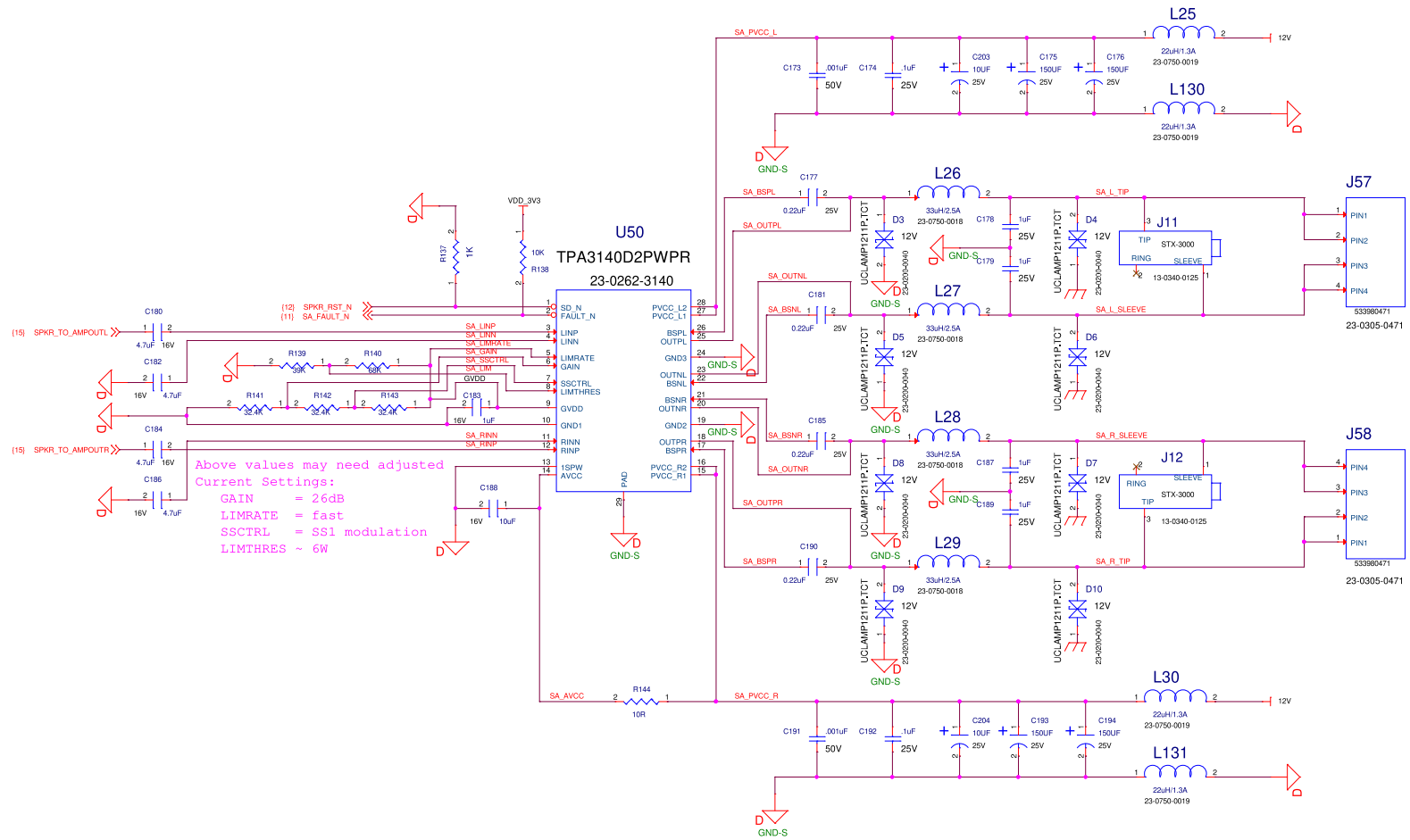


# ID16 SPEAKERS AMPLIFIER



Above values may need adjusted  
 Current Settings:  
 GAIN = 26dB  
 LIMRATE = fast  
 SSCTRL = SS1 modulation  
 LIMTHRES ~ 6W

VDD\_3V3 (5,6,7,8,9,10,11,12,13,14,15,17)  
 12V (5,6,17)

Tuesday, July 06, 2021 14:10:47		TITLE	
DRAWN Brian Wissel		ID16 Speakers Amplifier	
ENGINEER	SIZE C	DWG NO. 04-6911-1161-C01	REV C
Brian Wissel	CAD FILE	04-6911-1161-C01 C.DSN	SHEET 16 OF 17