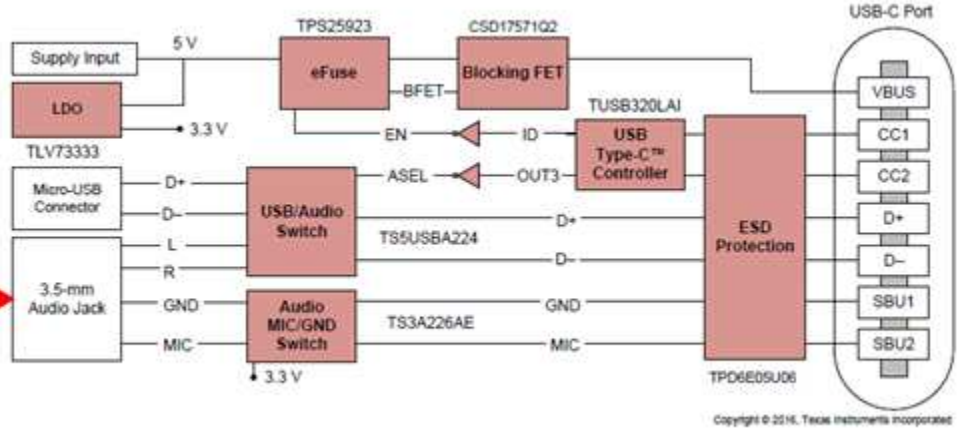


How to drive the audio signal here from the tool?
Audio OpAmp, DAC, Codec?



USB Typ C Headse

