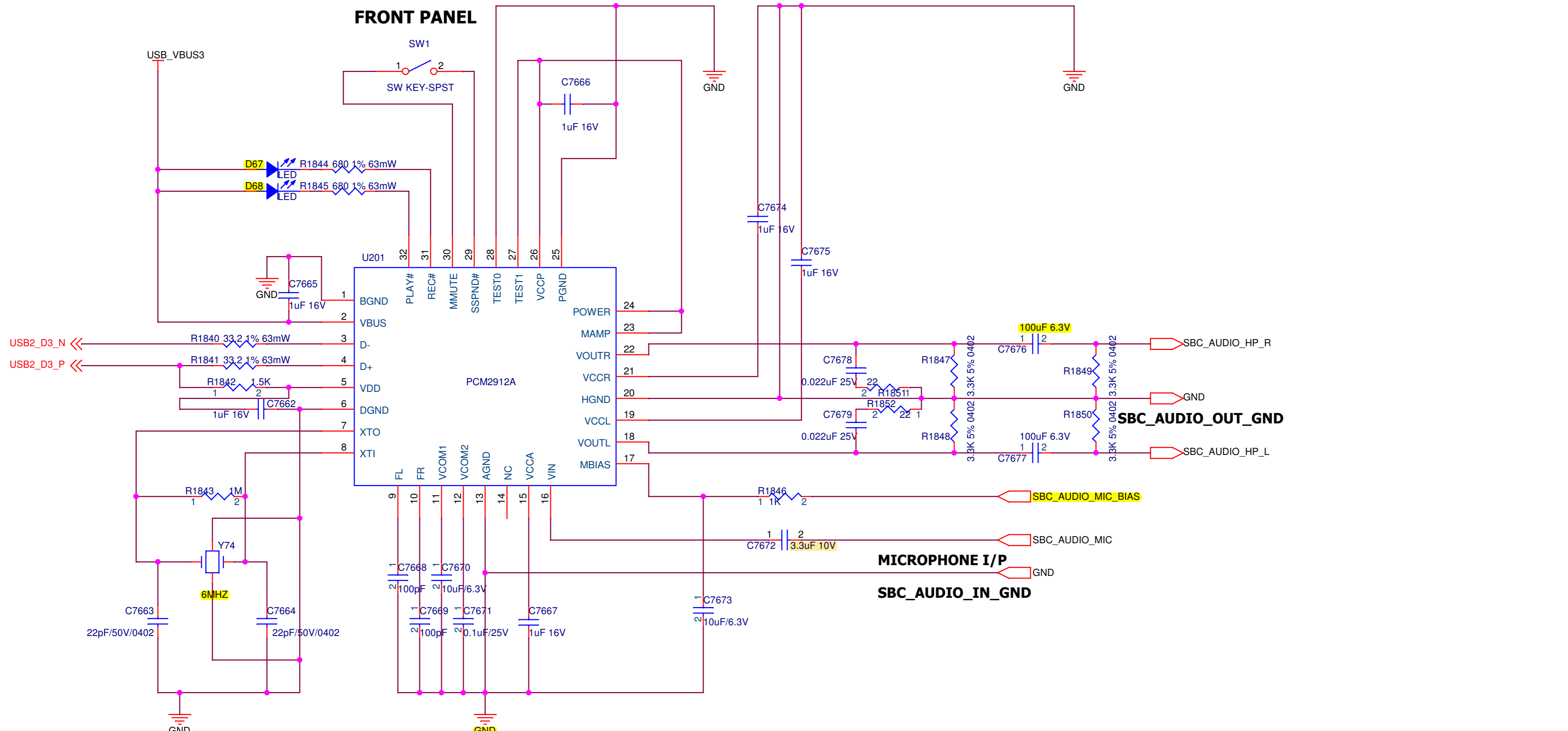


FRONT PANEL



Title		
<Title>		
Size	Document Number	Rev
B	<Doc>	<RevCod>
Date:	Thursday, May 28, 2020	Sheet 24 of 44