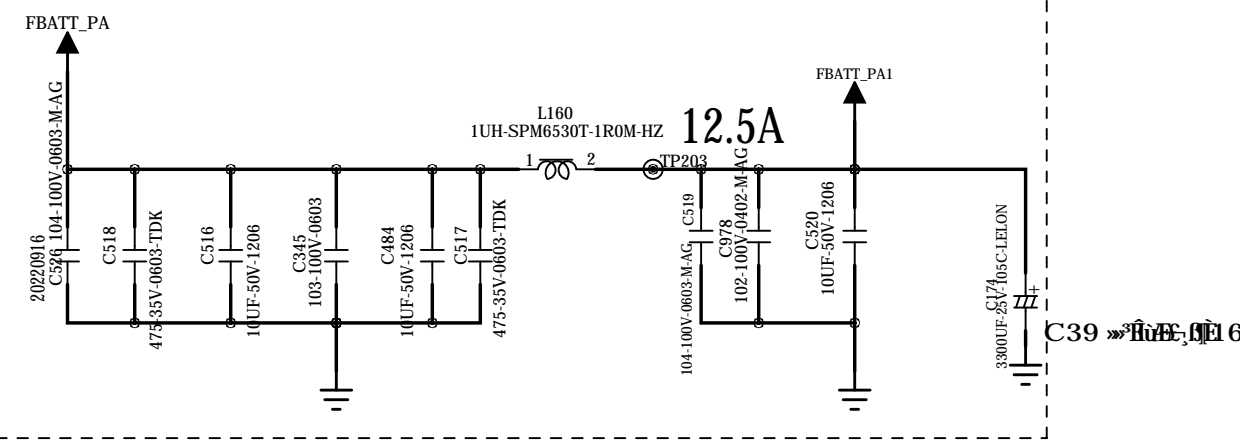


REVISION RECORD			
LTR	ECO NO.	APPROVED:	DATE:

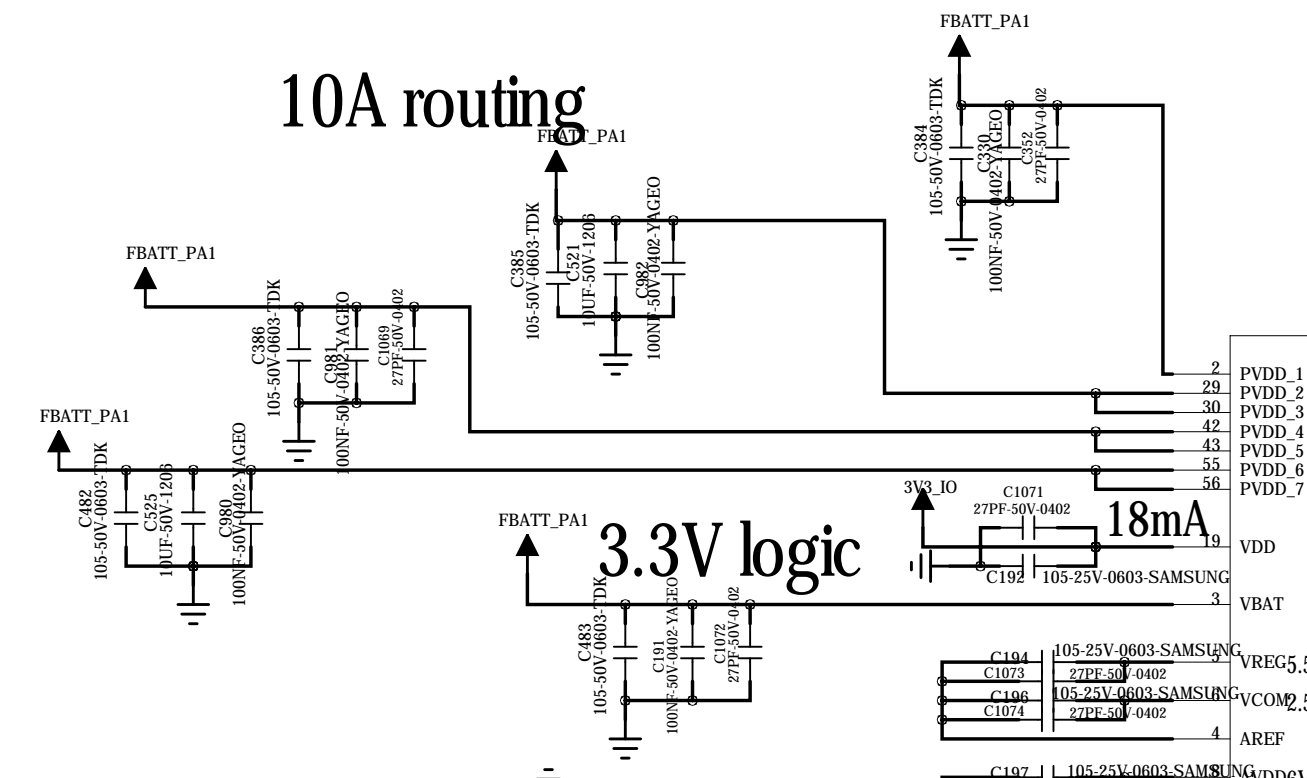
AUDIO CLASS_D_PA

Power filter

TO [5][2]
10A routing



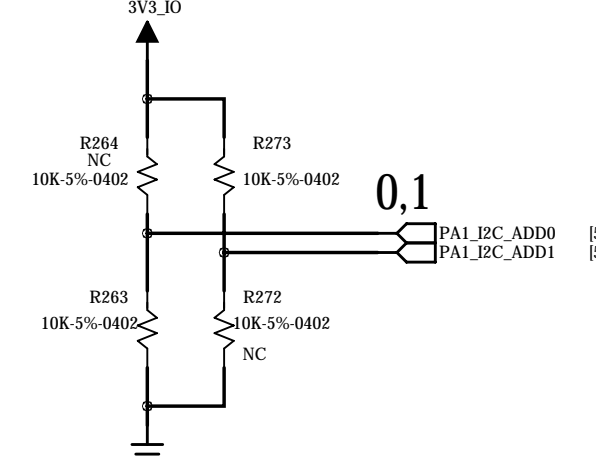
10A routing



3.3V logic

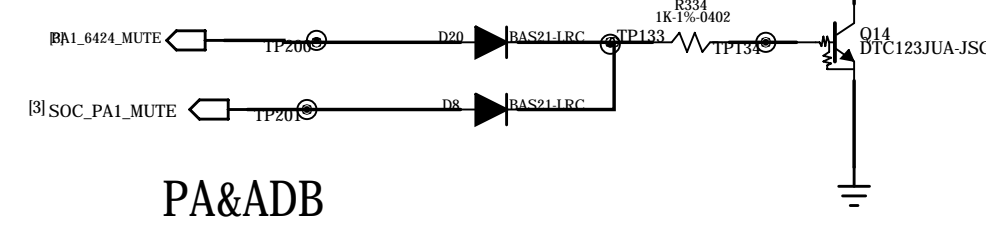
18mA

I2C ADDR:0XD6/0XD7



AP_TDM
AP_I2C

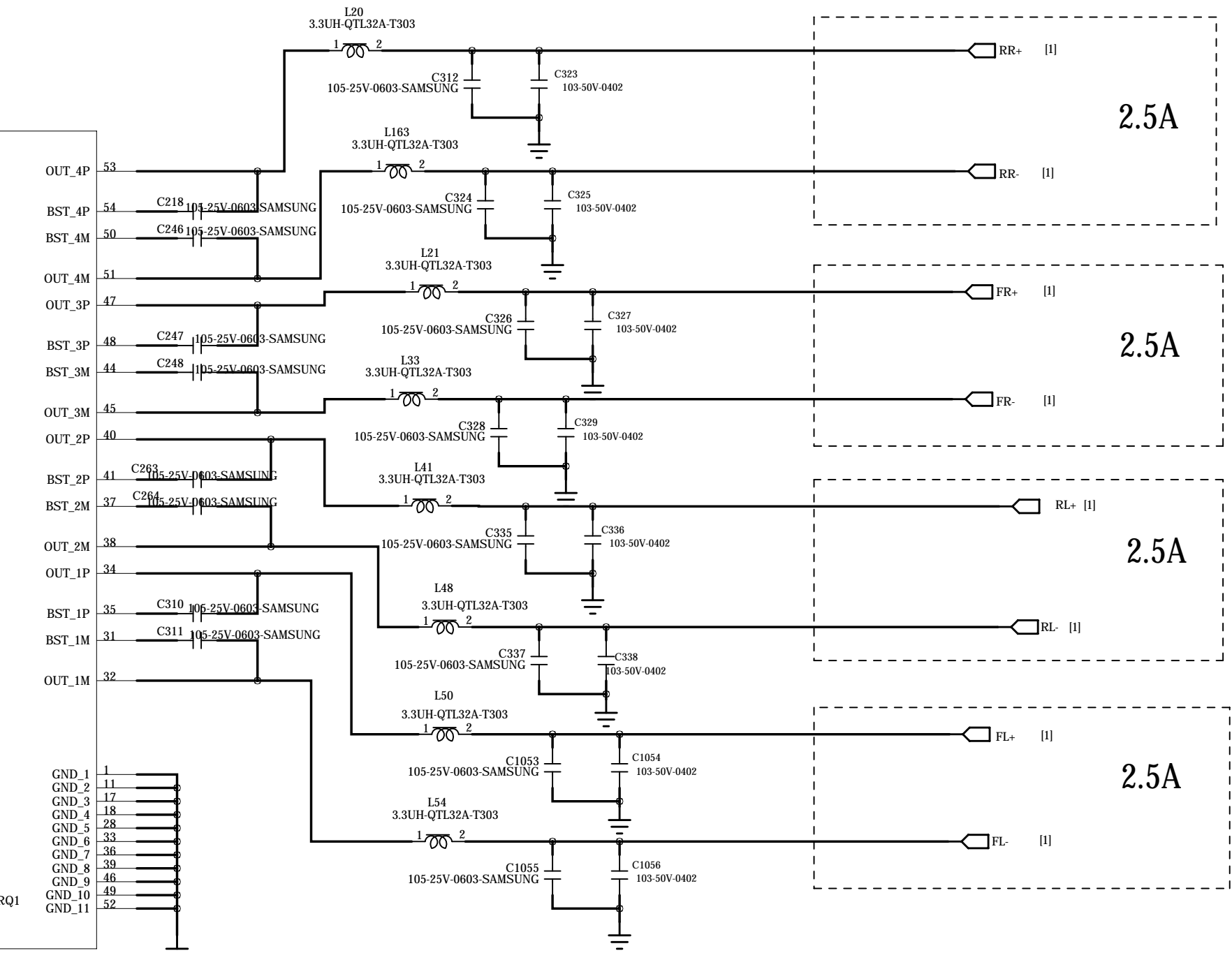
I2C ADDR



PA&ADB

close pin
fault
overtemperature warning

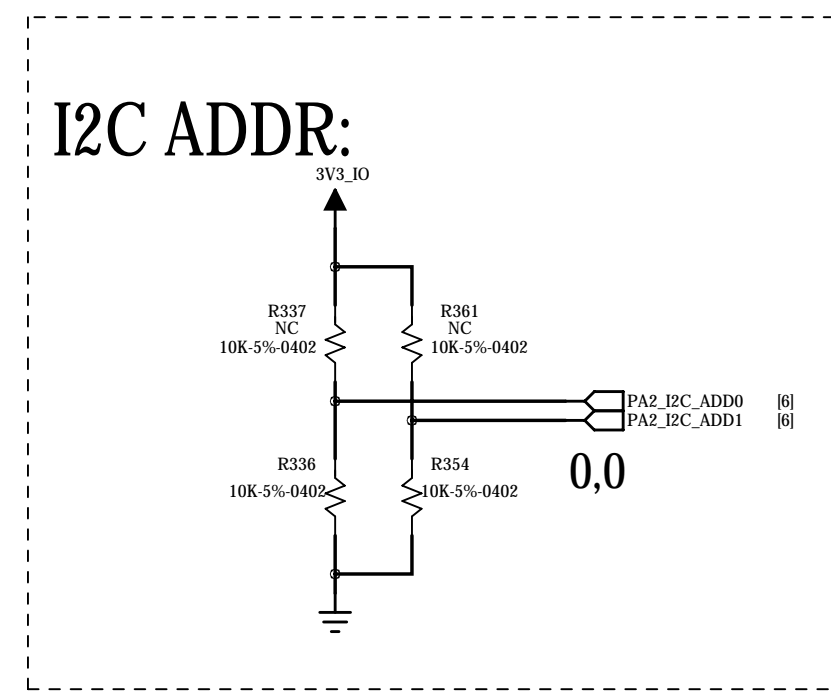
3.3UH-ASWPA4035S3R3MT QTL32A-T303-20230810



2.5A TDM8 CH4
2.5A TDM8 CH3
2.5A TDM8 CH2
2.5A TDM8 CH1

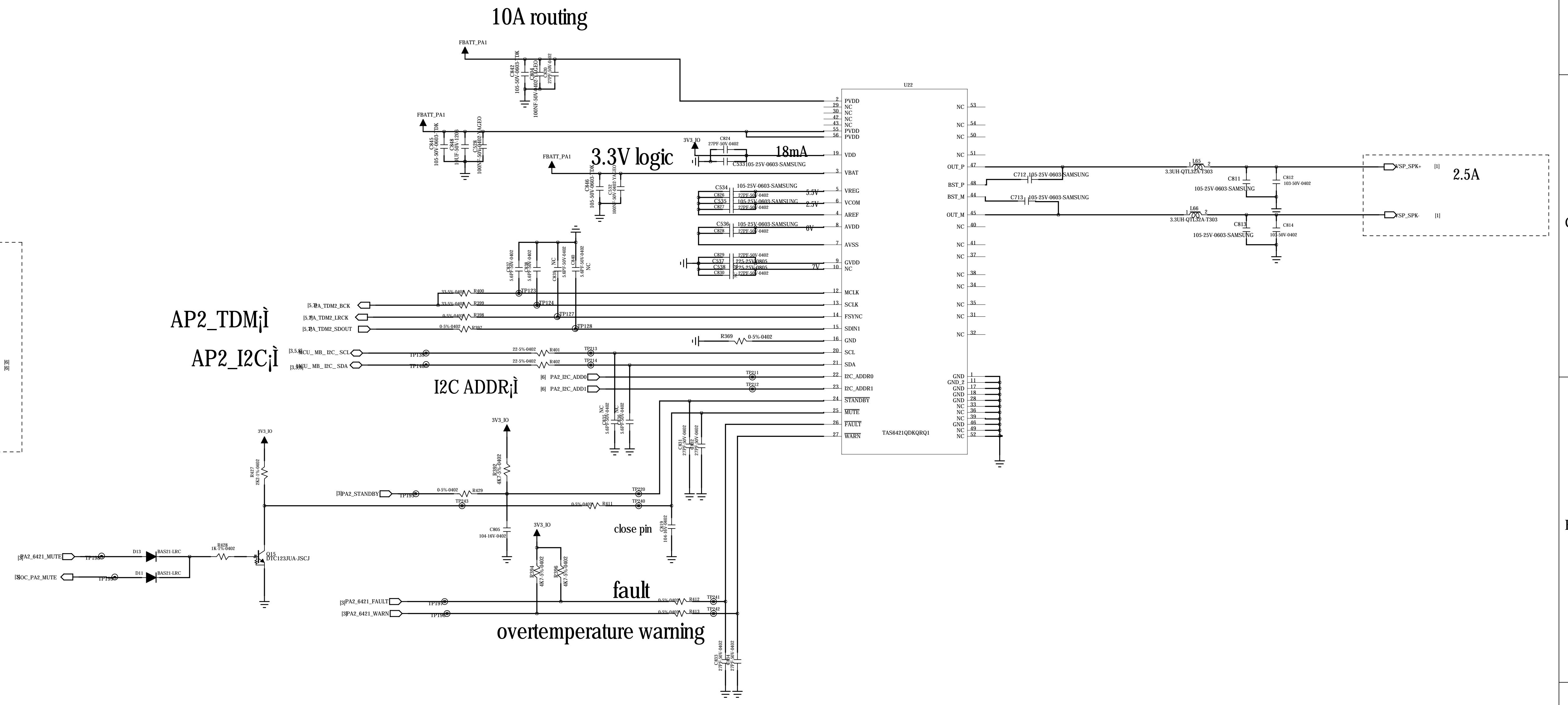
COMPANY:		PATEO		
TITLE:		M116 P9610A CDC		
DRAWN: Indahou	DATED: 2024-01-20	CODE:	SIZE: D	DRAWING NO: <Drawing Number>
CHECKED: <Checked By>	DATED: <Checked Date>	QUALITY CONTROL: <QC By>	DATED: <QC Date>	REV: V2.0
RELEASED: <Released By>	DATED: <Release Date>	SCALE: <Scale>	SHEET: 5 15	

REVISION RECORD			
LTR	ECO NO.	APPROVED:	DATE:



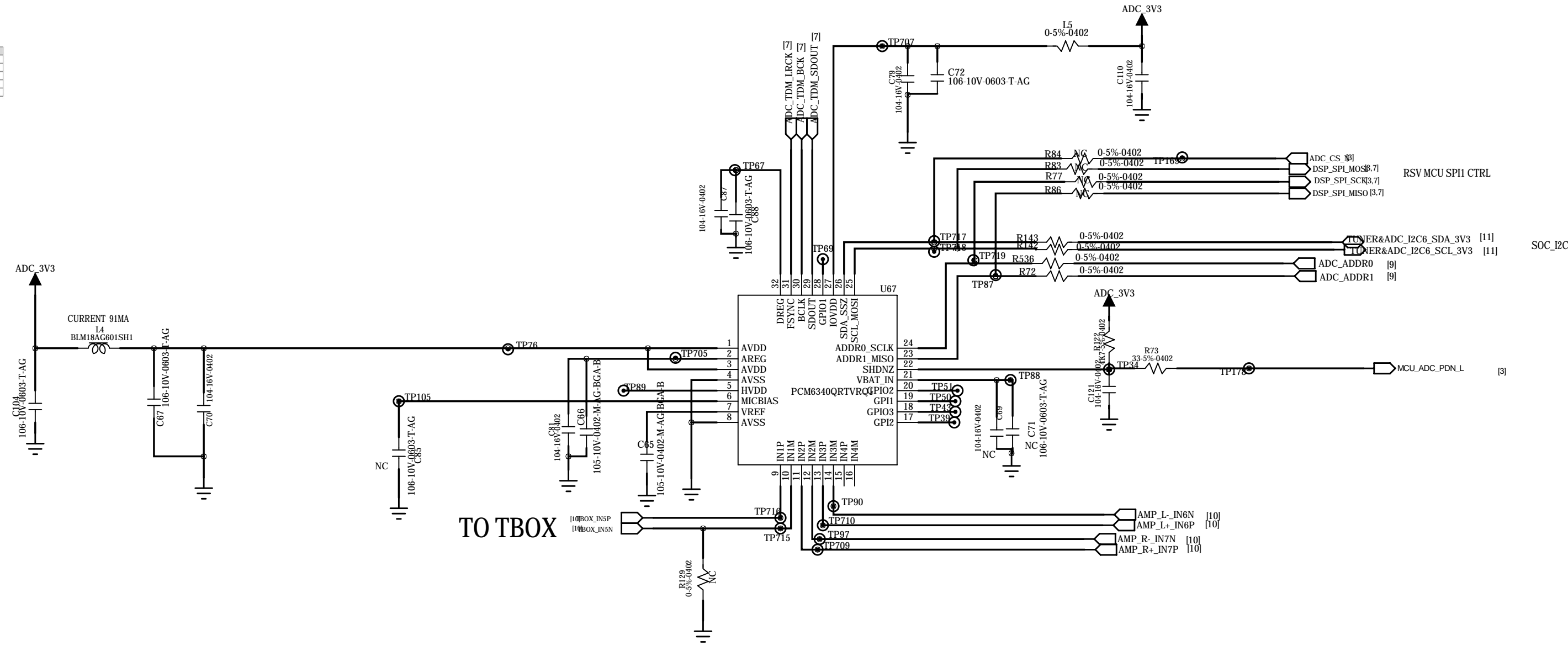
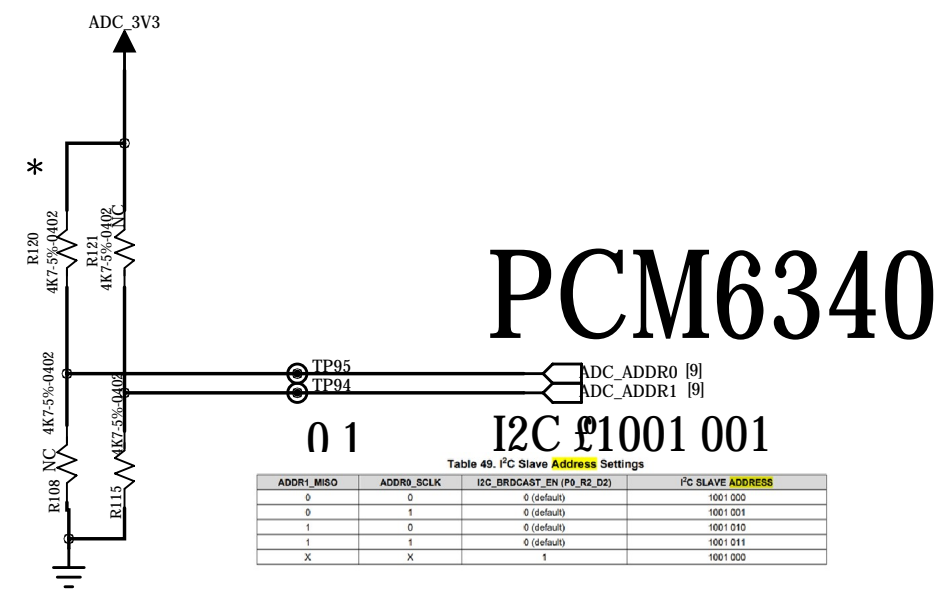
AP2_TDM;ì
AP2_I2C;ì

I2C ADDR;ì

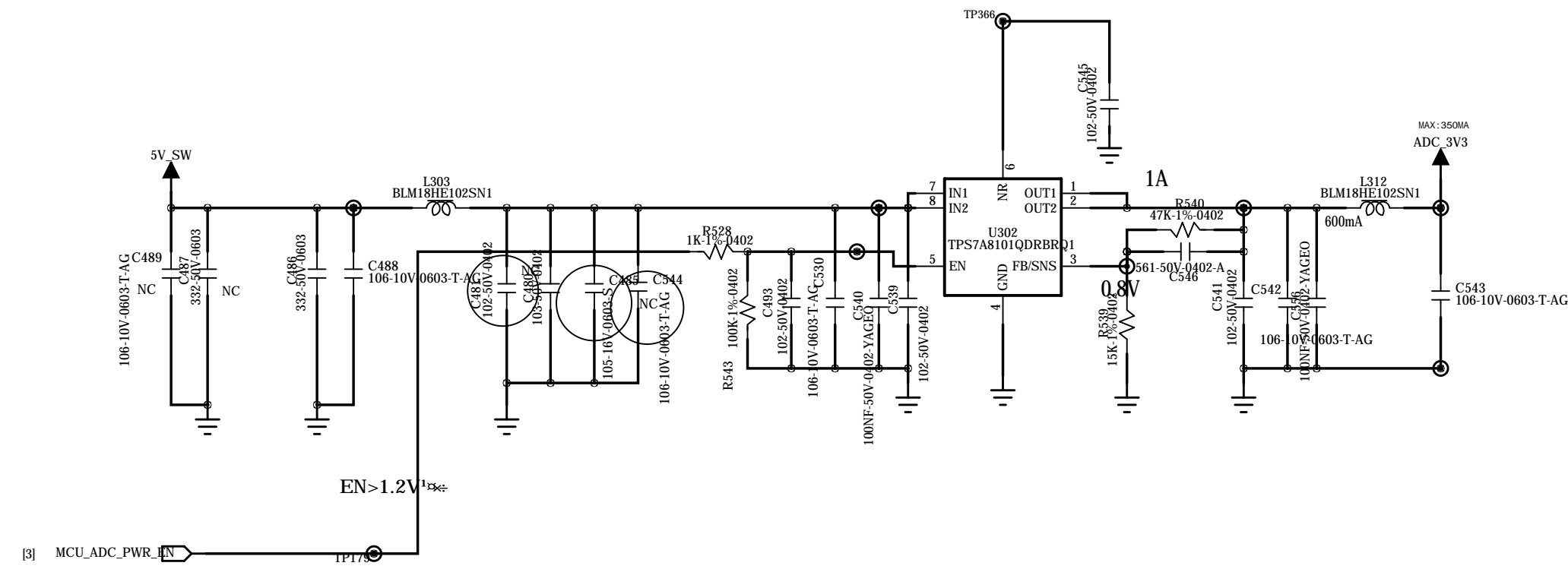


COMPANY: PATEO			
TITLE: 1/2 M116 P9610A CDC			
DRAWN: Indahou	DATED: 2024-01-20	CODE: <Code>	SIZE: D
CHECKED: <Checked By>	DATED: <Checked Date>	DRAWING NO: <Drawing Number>	REV: V2.0
QUALITY CONTROL: <QC By>	DATED: <QC Date>	SCALE: <Scale>	
RELEASED: <Released By>	DATED: <Release Date>	SHEET: 6 15	

REVISION RECORD			
LTR	ECO NO.	APPROVED:	DATE:



POWER 3V3@350mA



COMPANY: PATEO			
TITLE: 1/2 M116 P9610A CDC			
DRAWN: Indahou	DATED: 2024-01-20	CODE: <Code>	SIZE: D
CHECKED: <Checked By>	DATED: <Checked Date>	DRAWING NO: <Drawing Number>	
QUALITY CONTROL: <QC By>	DATED: <QC Date>	REV: V2.0	SCALE: <Scale>
RELEASED: <Released By>	DATED: <Release Date>	SHEET: 9 15	

