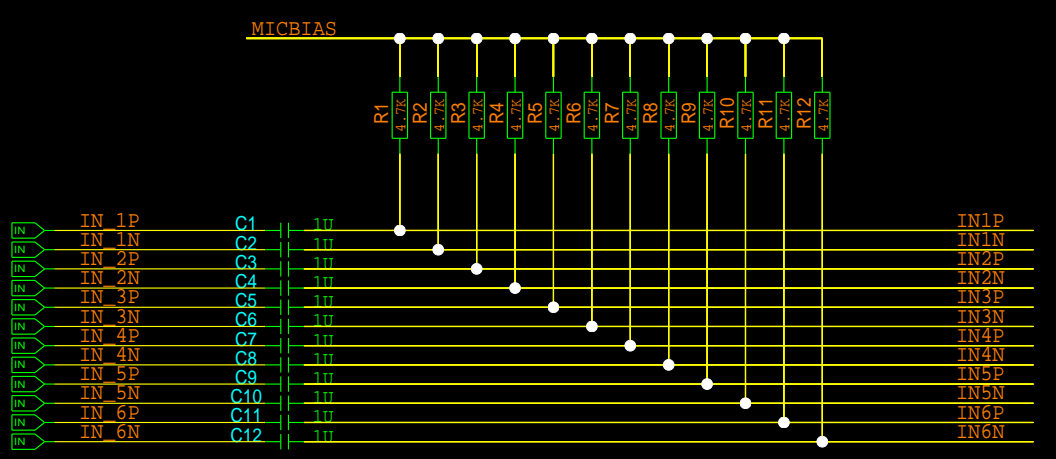


THIS DOCUMENT CONTAINS INFORMATION PROPRIETARY TO ZTE CORPORATION (ZTE). USE OR DISCLOSURE WITHOUT THE WRITTEN PERMISSION OF AN OFFICER OF ZTE IS EXPRESSLY FORBIDDEN.

1 2 3 4 5 6 7 8 9

A  
B  
C  
D  
E  
F  
G  
H



VIH(MIN)=2V, FOR SHDNZ&I2S&GPIO1

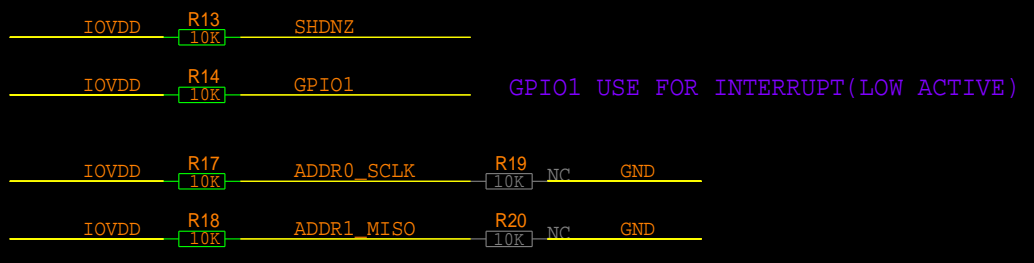
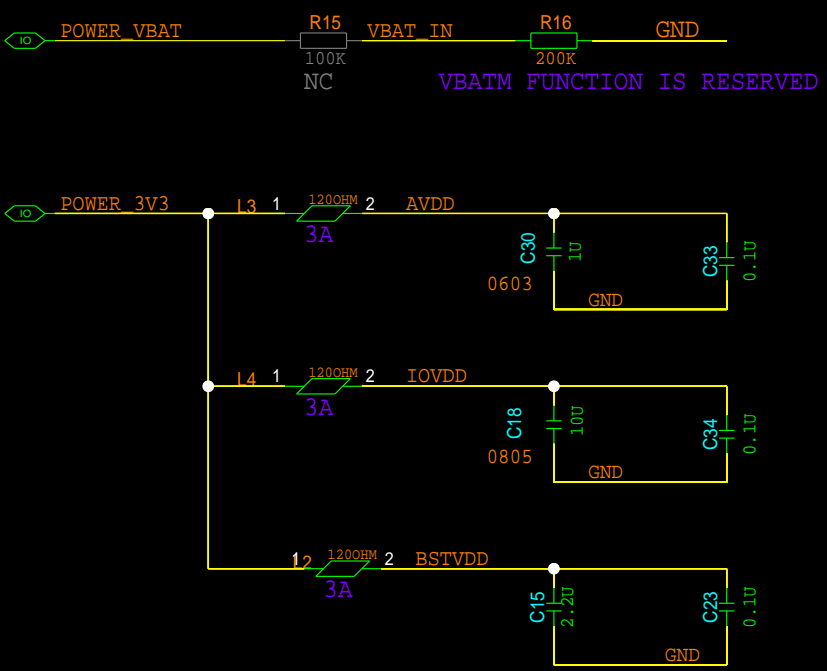
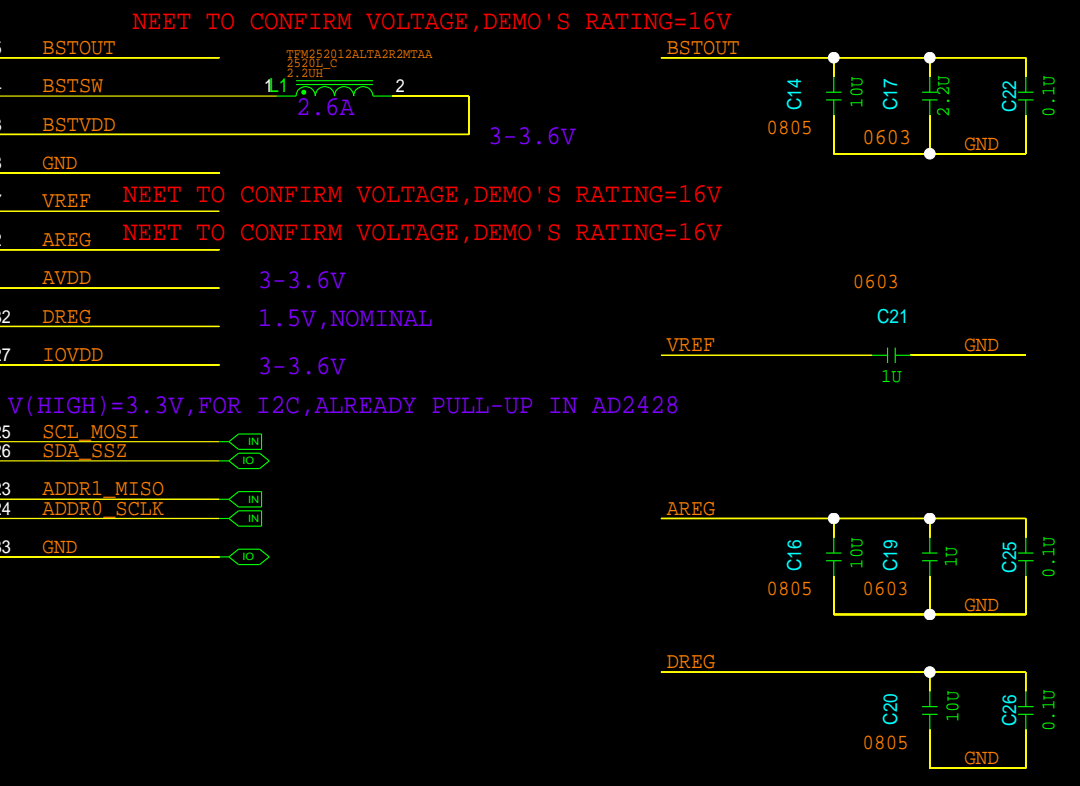
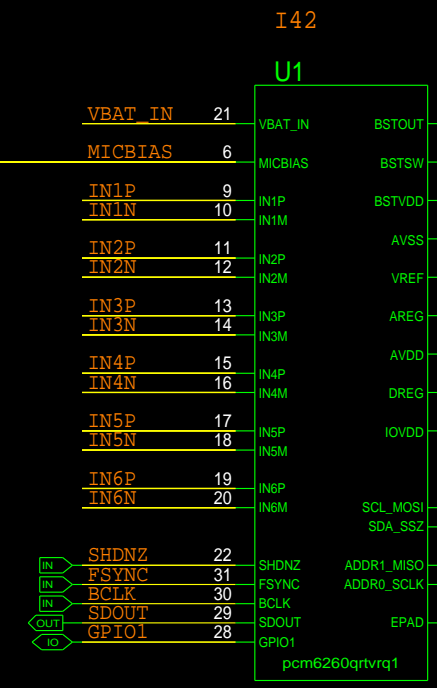


表 49. I<sup>2</sup>C Slave Address Settings

ADDR1_MISO	ADDR0_SCLK	I2C_BRDCAST_EN (P0_R2_D2)	I <sup>2</sup> C SLAVE ADDRESS
0	0	0 (default)	1001 000
0	1	0 (default)	1001 001
1	0	0 (default)	1001 010
1	1	0 (default)	1001 011
X	X	1	1001 000



SIZE:A3