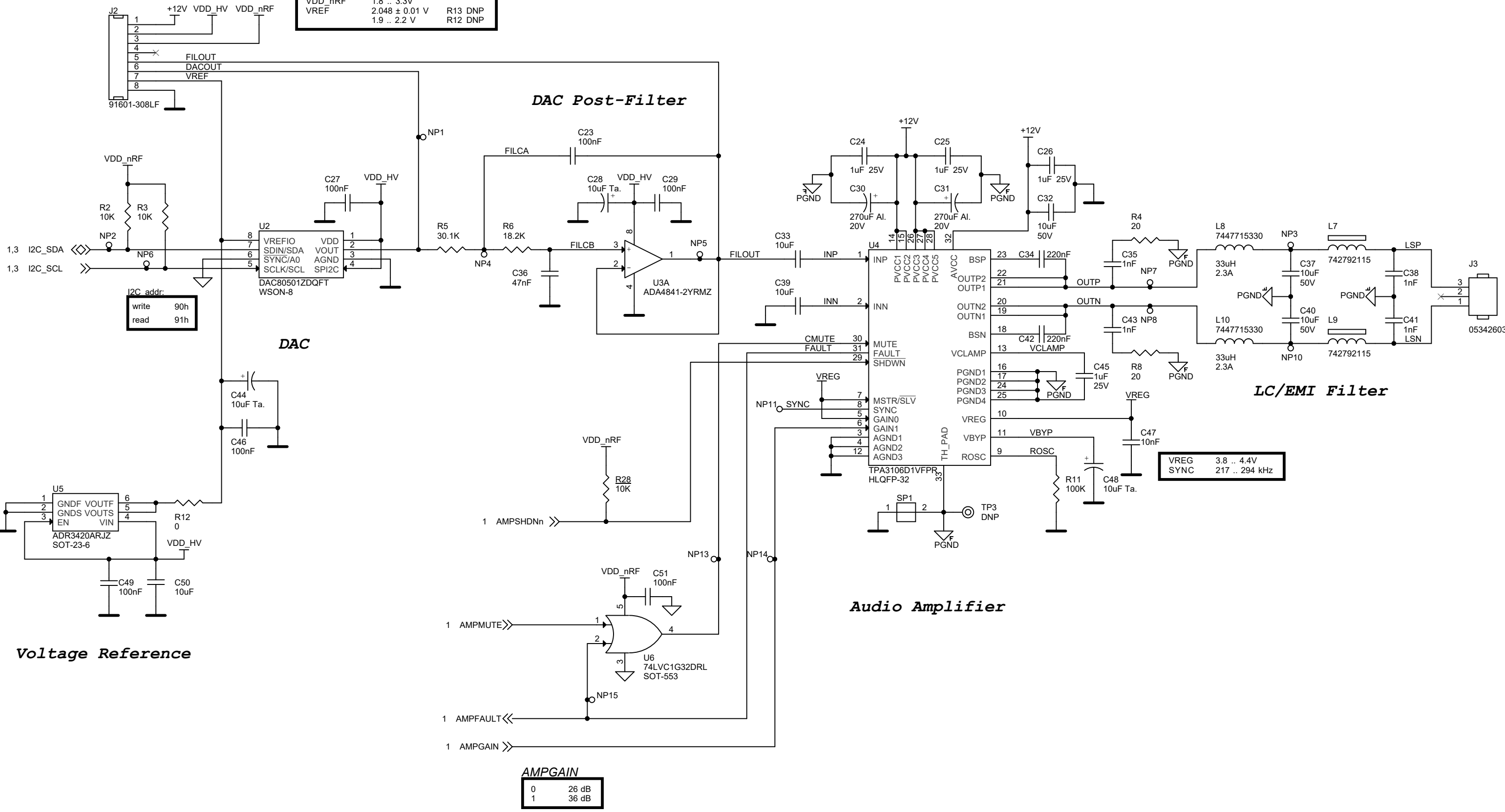


J2 - TEST VOLTAGE

+12V	11.4..12.6V	
VDD_HV	4.8 .. 5.2 V	
VDD_nRF	1.8 .. 3.3V	
VREF	2.048 ± 0.01 V	R13 DNP
	1.9 .. 2.2 V	R12 DNP



I2C addr:
write 90h
read 91h

VREG 3.8 .. 4.4V
SYNC 217 .. 294 kHz

AMPGAIN
0 26 dB
1 36 dB

Author G.Filosofi		Title	
Checked			
Rev.	ECN	Page Size A3	Code
File		Page Modify Date Wednesday, October 14, 2020	Sheet 2 of 3