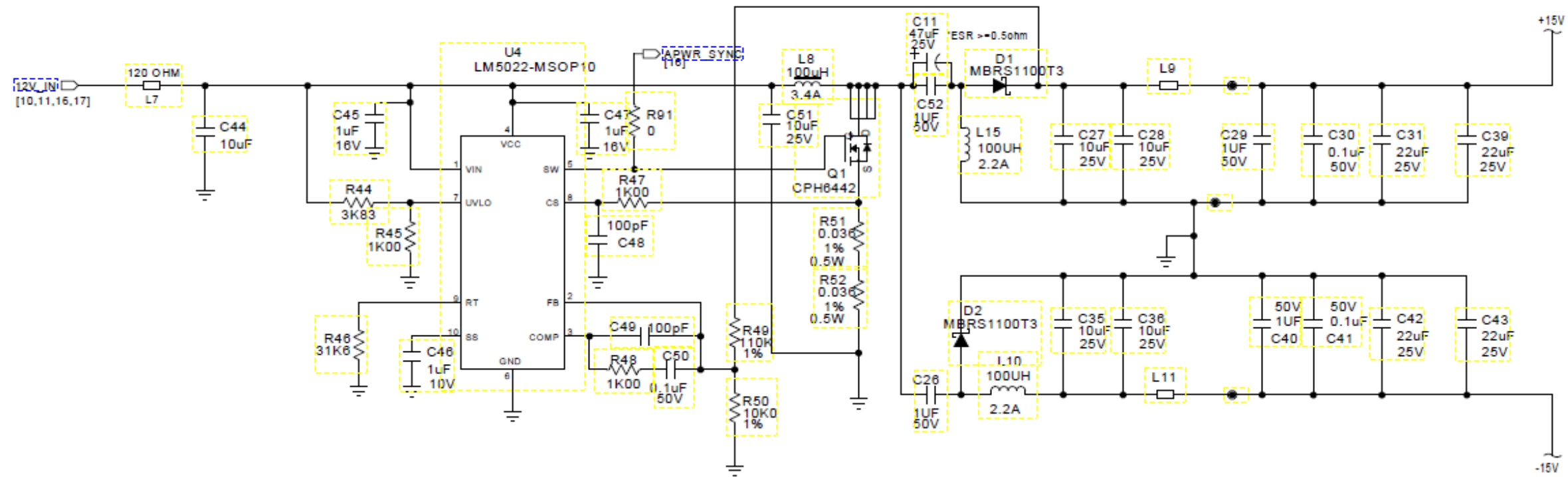


Vin = 12V, Vout = +/-15V @ 800mA



Vin = 12V, Vout = 48V @ 160mA

