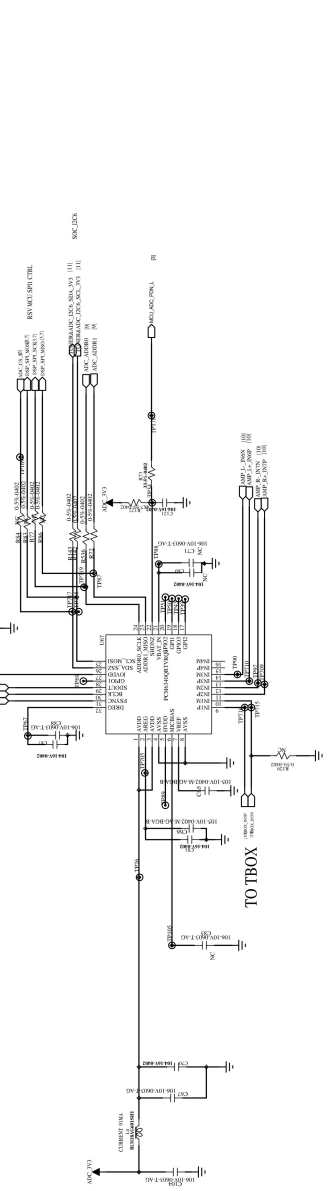
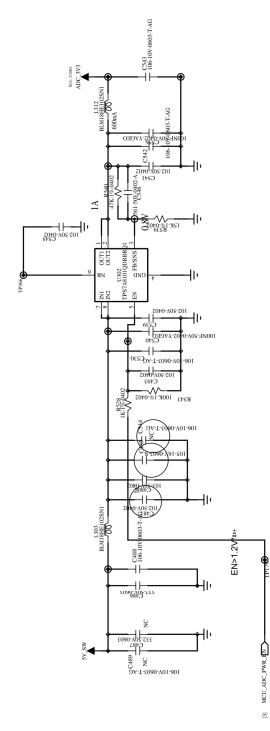


**PCM6340**

01	PCM6340	DC 1.0001.0001
REV.	DATE	BY



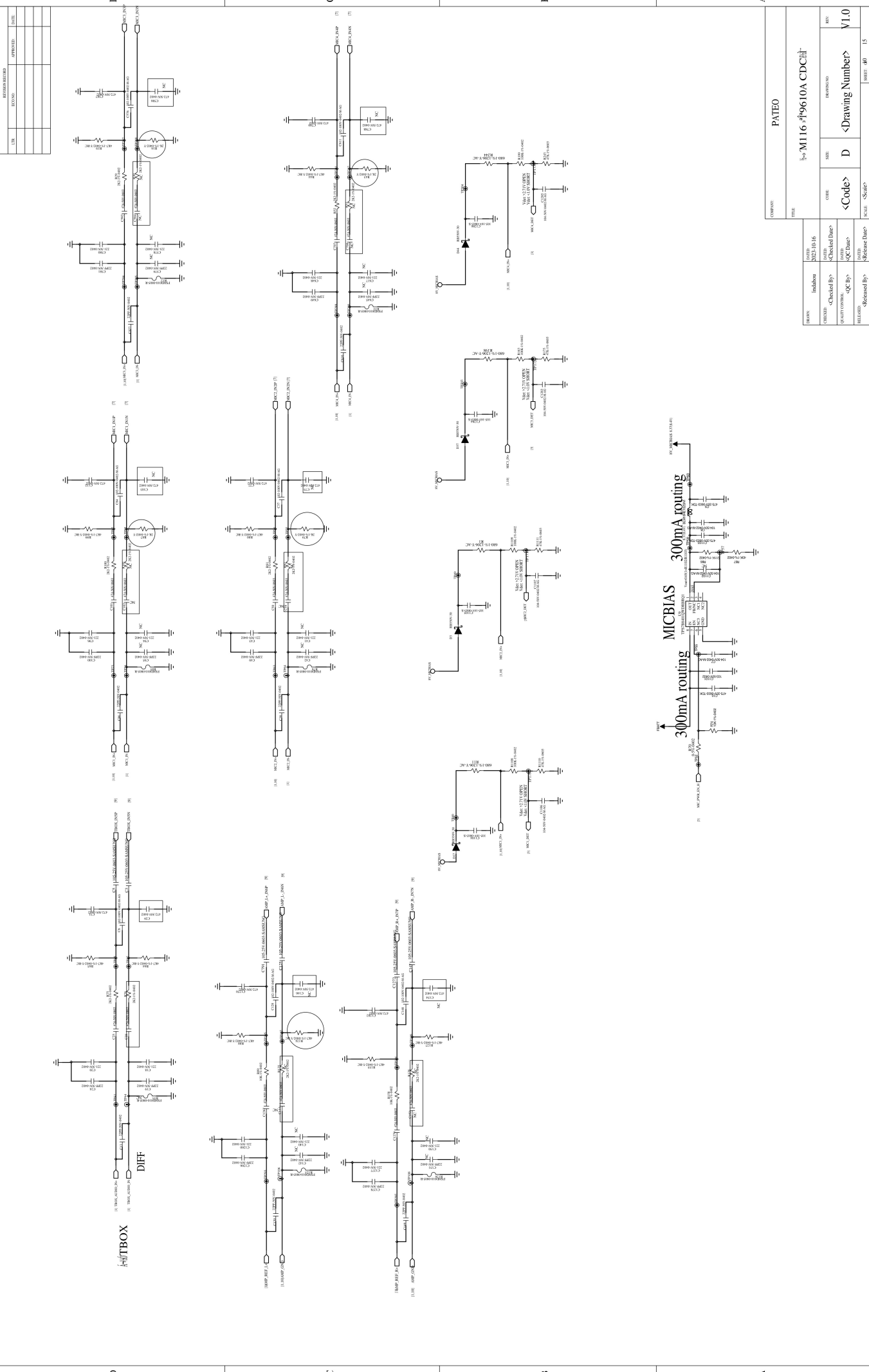
**POWER 3V2 @ 350mA**



1

REV.	DATE

COMPANY: PATEO	
TITLE: M116 #90610A CDC	
REVISED: 2012.10.16	DATE: 2012.10.16
DESIGNED: <Checked By>	CHECKED: <Checked Date>
DRAWN: <QC Base>	QC: <QC Date>
REVISION: <QC By>	SCALE: <Scale>
APPROVED: <Received By>	SHEET: 09 OF 15



REVISION RECORD	
NO.	DATE

COMPANY: PATEO	
TITLE: 1- MI116-#9610A CDC	
DESIGN: 2023.10.16	DATE:
DESIGNED BY: <Checked By>	CHECKED BY: <Checked Date>
DRAWN BY: <QC Base>	QC BY: <QC Date>
REVISION: <QC Base>	REVISION DATE: <QC Date>
REVISION BY: <QC Base>	REVISION DATE: <QC Date>

REV:	DATE:	BY:

CODE: <Code>	SCALE: <Scale>
DRWING NUMBER: <Drawing Number>	SHEET: 40 / 15