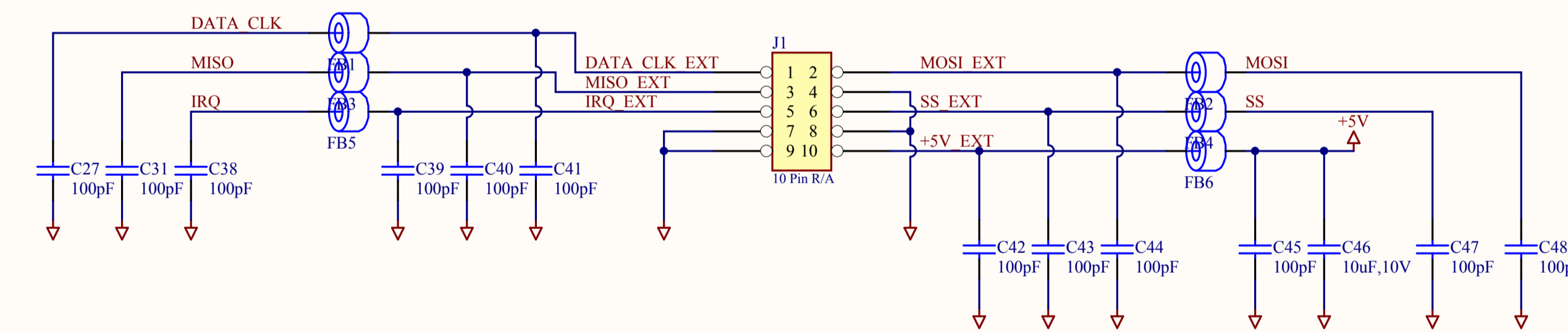
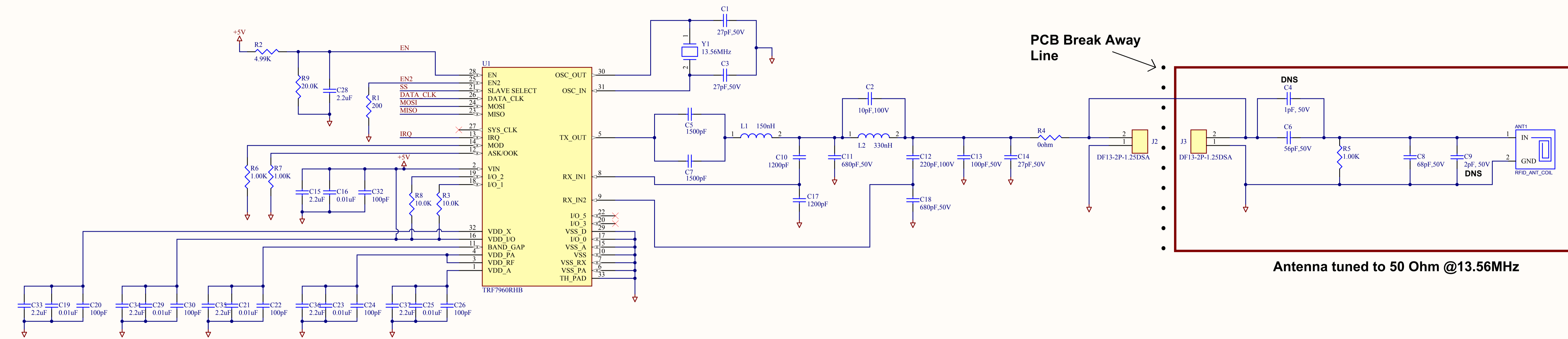
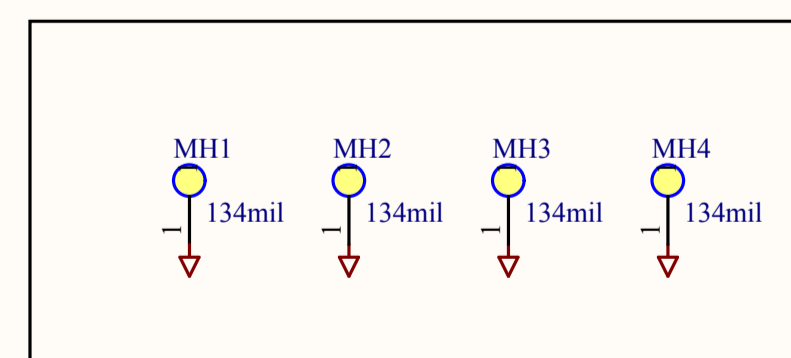


# RFID READER BOARD



## Mounting Holes



## ASSEMBLY VARIANTS

	15029628 Chiller	15029977 PR2	15029978 Flow Cell
C6	56 pF	56 pF	75 pF
C8	68 pF	100 pF	130 pF
J2	Not Inserted	Not Inserted	Inserted
J3	Not Inserted	Not Inserted	Inserted

15029628 PCA, RFID READER BOARD, CHILLER  
 15029977 PCA, RFID READER BOARD, PR2  
 15029978 PCA, RFID READER BOARD, FLOW CELL

15029630 SCH, RFID READER BOARD  
 15029629 PCB, RFID READER BOARD

<small>THIS DOCUMENT CONTAINS PROPRIETARY INFORMATION OF ILLUMINA. ANY DISCLOSURE TO OTHERS WITHOUT THE EXPRESS WRITTEN PERMISSION OF ILLUMINA, INC. IS PROHIBITED.</small>		<b>PROJECT NAME</b> RFID READER BOARD	
<b>BOLT</b>		<b>TITLE</b> RFID READER BOARD	
DRAWN I. FAJR	DATE 09/20/11	DESIGNED I. FAJR	DATE 09/20/11
CHECKED TEAM	DATE 09/20/11	FILE NAME RFID Reader_SchDoc	REV B
		SHEET 1	OF 1