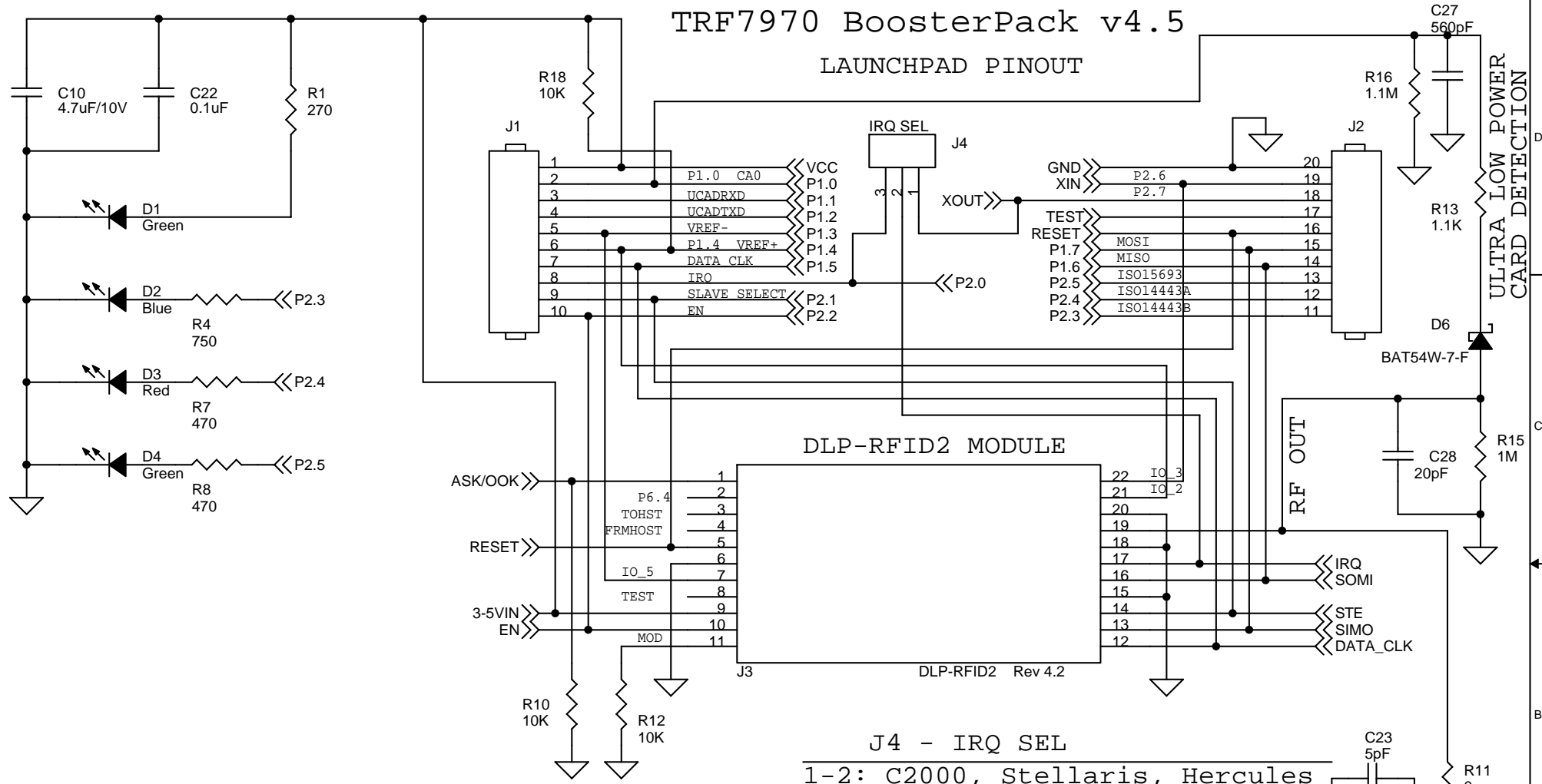
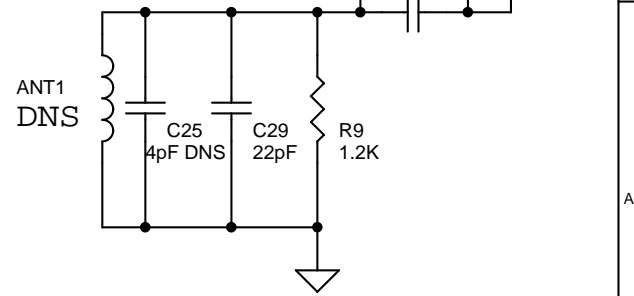
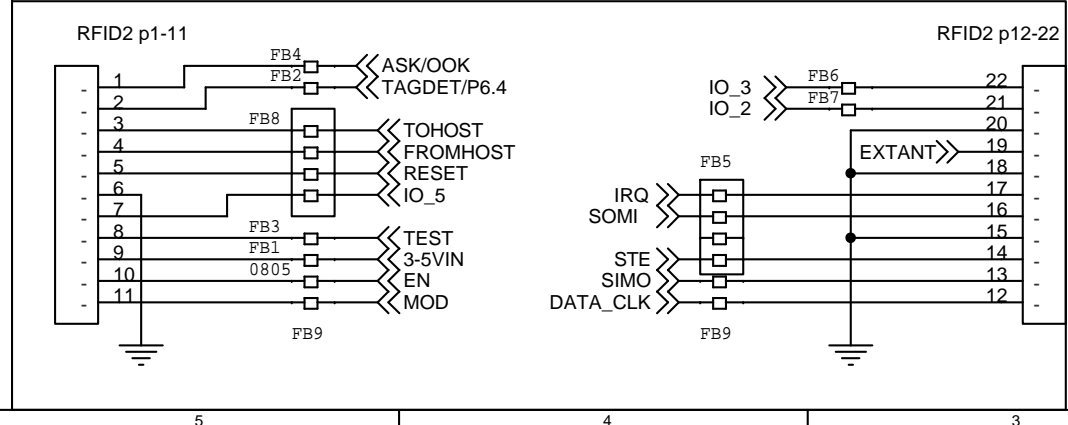


# TRF7970 BoosterPack v4.5

## LAUNCHPAD PINOUT

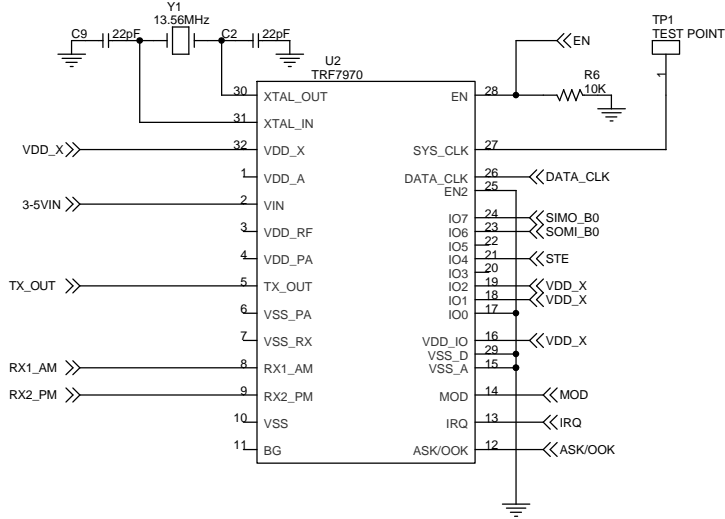
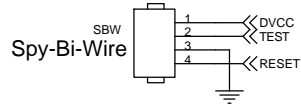
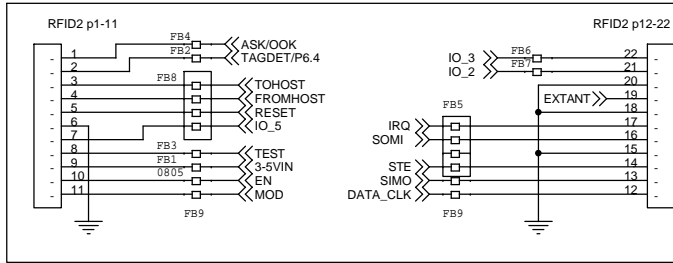


J4 - IRQ SEL  
 1-2: C2000, Stellaris, Hercules  
 2-3: MSP430

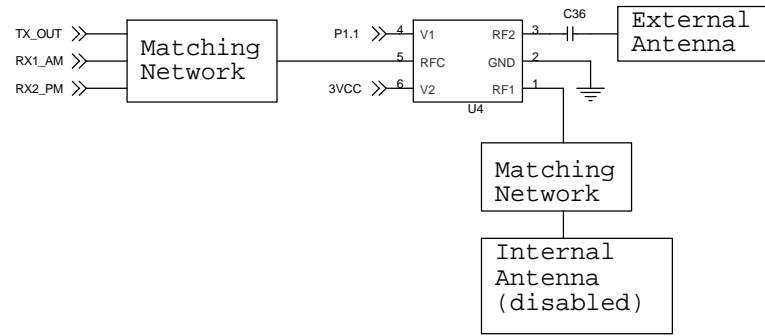


ULTRA LOW POWER  
CARD DETECTION

DLP-RFID2 v4.2 For  
BoosterPack



Port Pin P1.1:  
High = RF1 = Internal Antenna  
Low = RF2 = External Antenna



This micro is not installed for the DLP-7970ABP. The micro on the LaunchPad is used to operate the TRF7970A on the BoosterPack.

