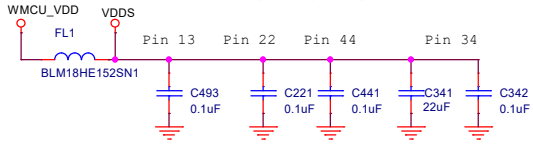


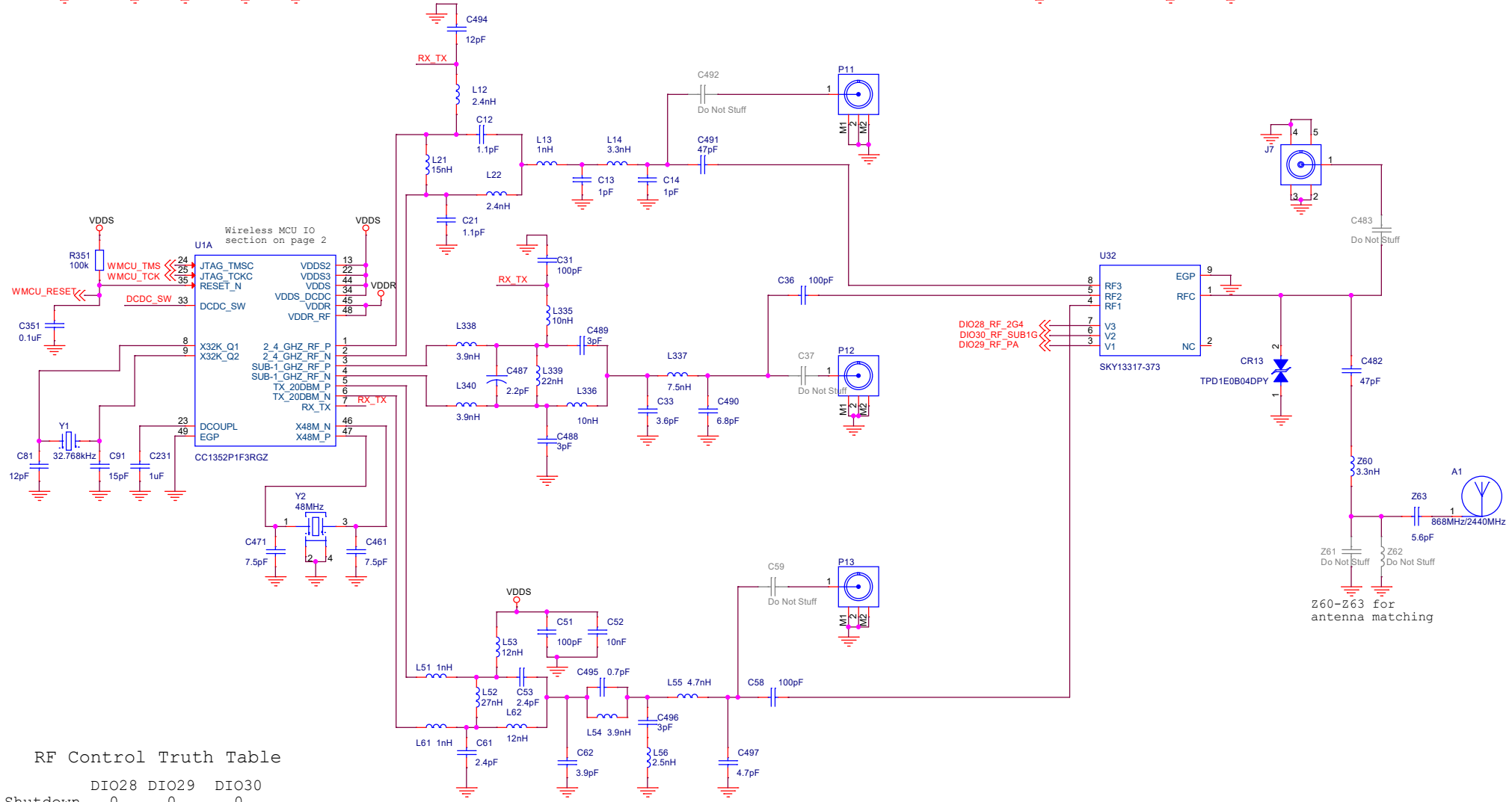
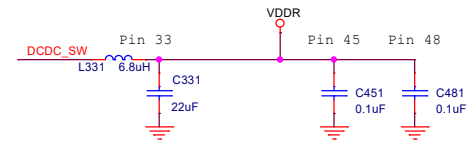
Wireless MCU RF

Wireless MCU IO block placed on page 2.

VDDS Decoupling Capacitors



VDDR Decoupling Capacitors



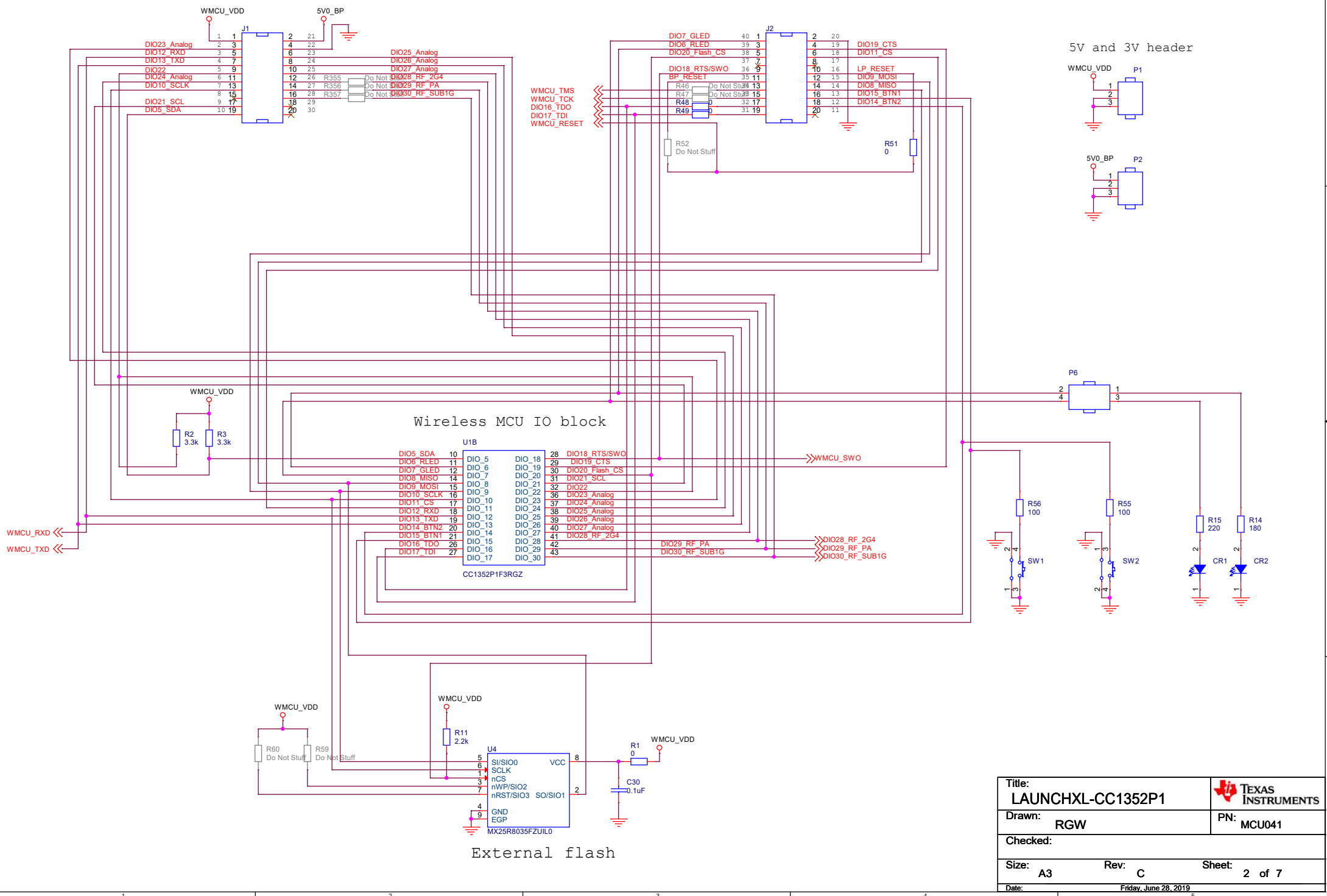
RF Control Truth Table

	DIO28	DIO29	DIO30
Shutdown	0	0	0
Sub 1 GHz	0	0	1
20 dBm PA	0	1	0
2.4 GHz	1	0	0

20 dBm BOM:
 FCC: 890-930 MHz, L52 = 27nH
 ETSI: 863-889 MHz, L52 = 18nH

Title: LAUNCHXL-CC1352P1		 TEXAS INSTRUMENTS
Drawn: RGW	PN: MCU041	
Checked:		
Size: A3	Rev: C	Sheet: 1 of 7
Date: Friday, June 28, 2019		

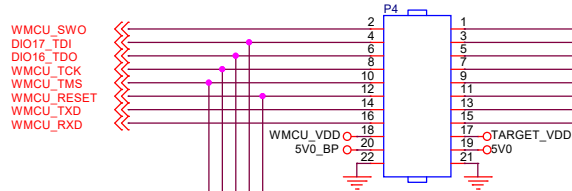
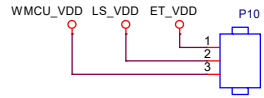
BoosterPack Headers and Peripherals



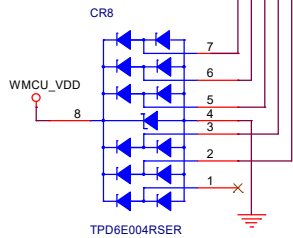
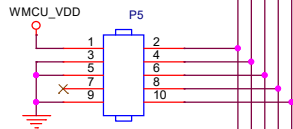
Title: LAUNCHXL-CC1352P1		TEXAS INSTRUMENTS	
Drawn: RGW		PN: MCU041	
Checked:			
Size: A3	Rev: C	Sheet: 2 of 7	
Date: Friday, June 28, 2019			

XDS110 Debugger Interface

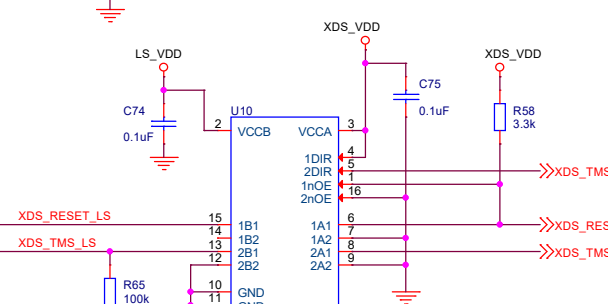
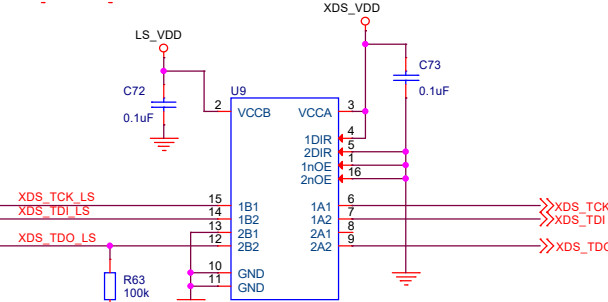
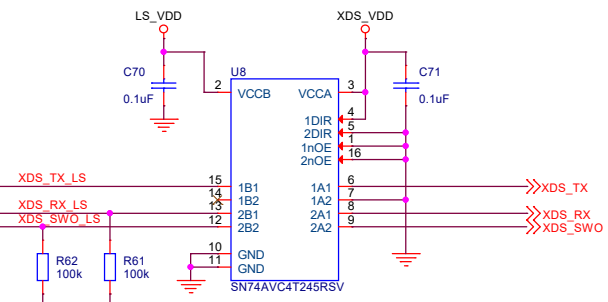
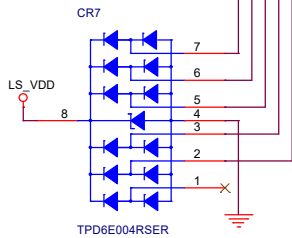
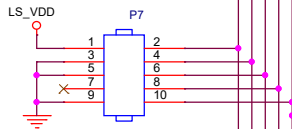
P10 selects the voltage source for the level shifters
 When powering the wireless MCU from the XDS supply, connect jumper between pins 1 and 2.
 When powering the wireless MCU from the external supply, connect jumper between pins 2 and 3.



Use P5 for debugging the wireless MCU with an external debugger (requires that all jumpers be removed)



Use P7 for debugging external targets (requires that all jumpers be removed)



XDS-RST = 0 -> output = 0
 XDS-RST = 1 -> output = Hi-Z

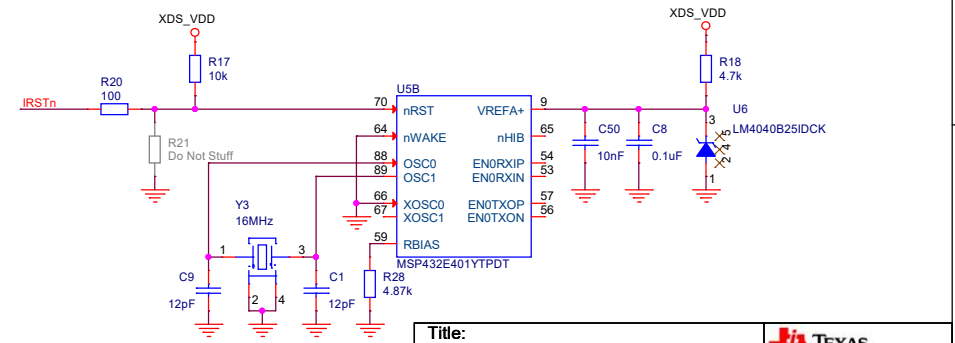
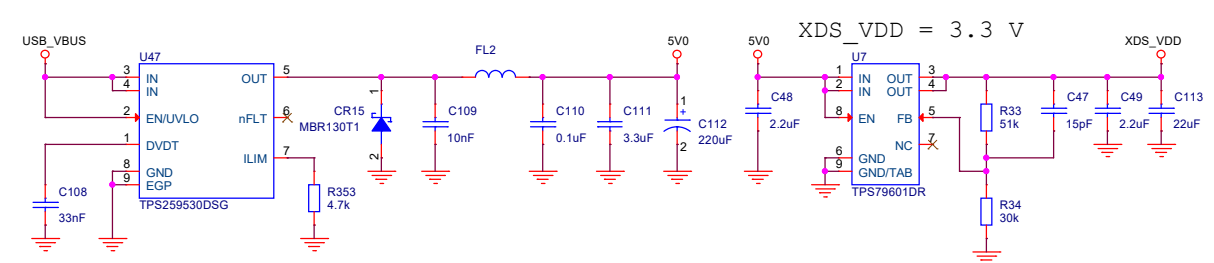
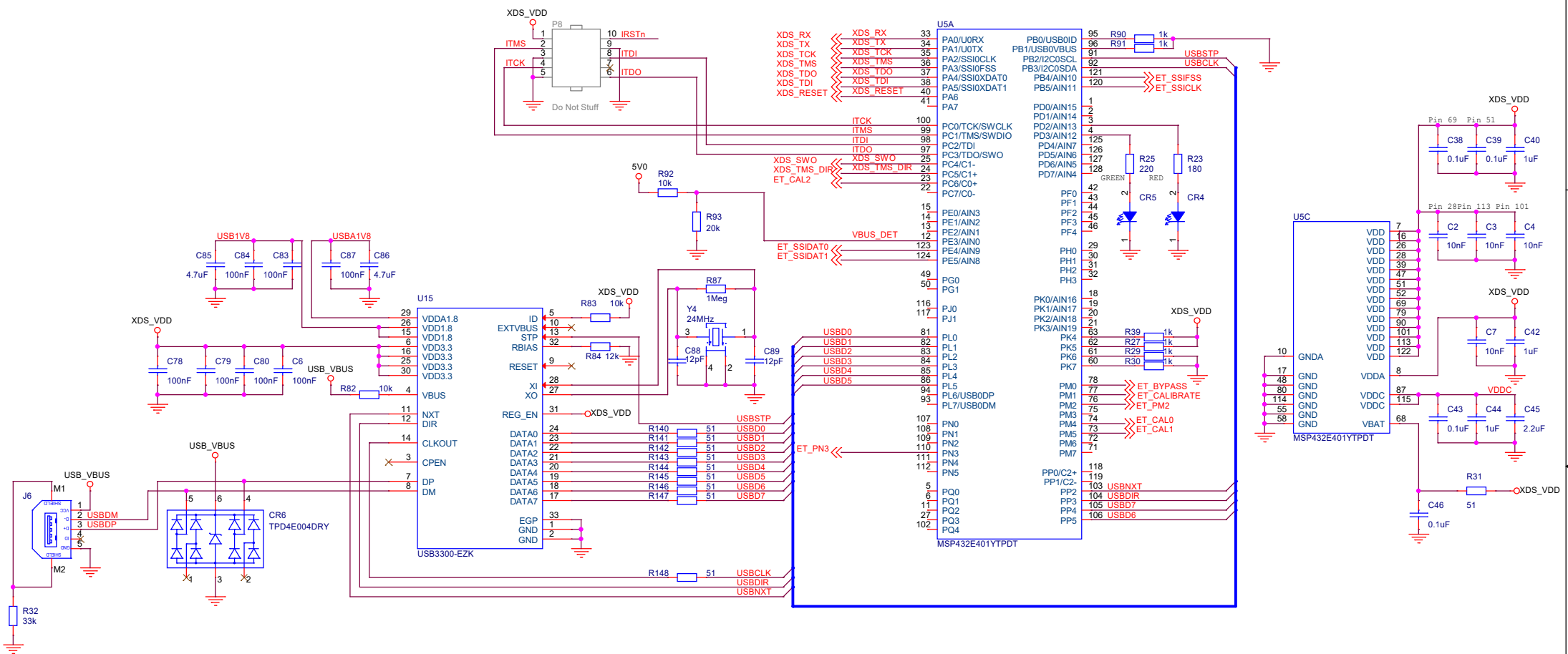
DIR = H: A -> B
 DIR = L: B -> A

OE = H: output = Hi-Z

TMS signal is bidirectional.
 TMS_DIR used to control direction of level shifter

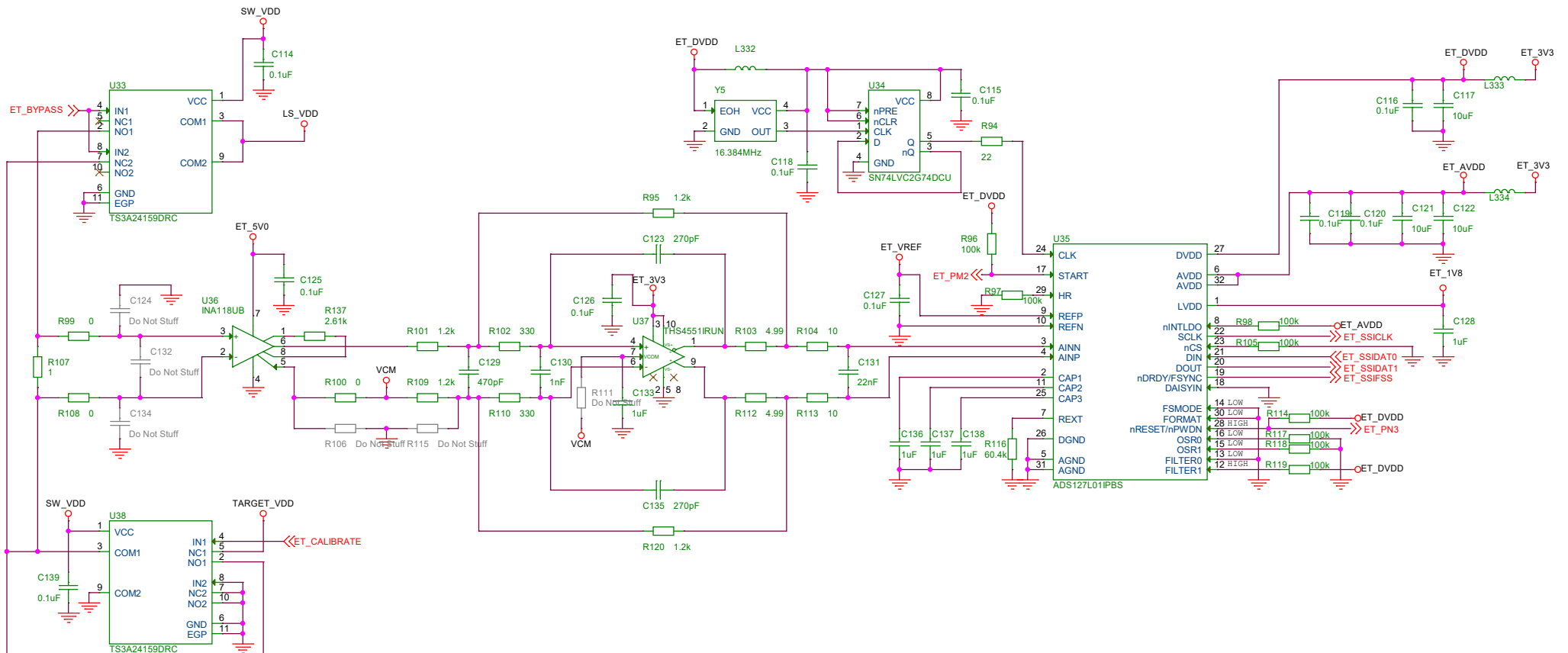
Title: LAUNCHXL-CC1352P1		TEXAS INSTRUMENTS	
Drawn: RGW		PN: MCU041	
Checked:			
Size: A3	Rev: C	Sheet: 3 of 7	
Date: Friday, June 28, 2019			

XDS110 Debugger

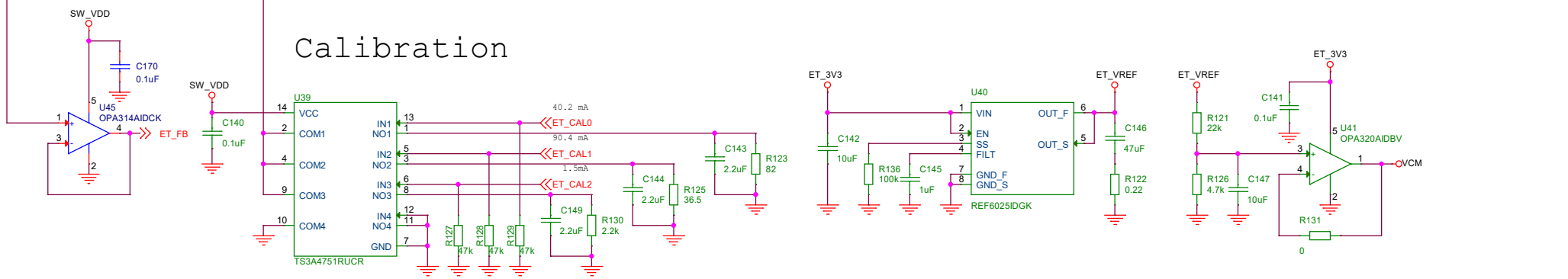


Title: LAUNCHXL-CC1352P1		 TEXAS INSTRUMENTS
Drawn: RGW	PN: MCU041	
Checked:		
Size: A3	Rev: C	Sheet: 4 of 7
Date: Friday, June 28, 2019		

EnergyTrace

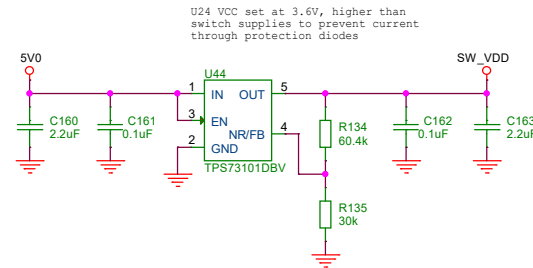
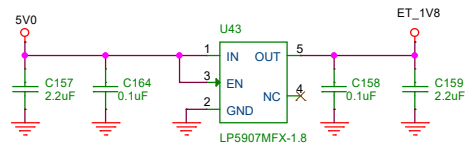
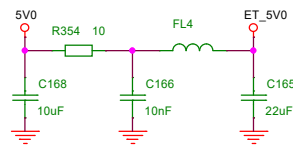
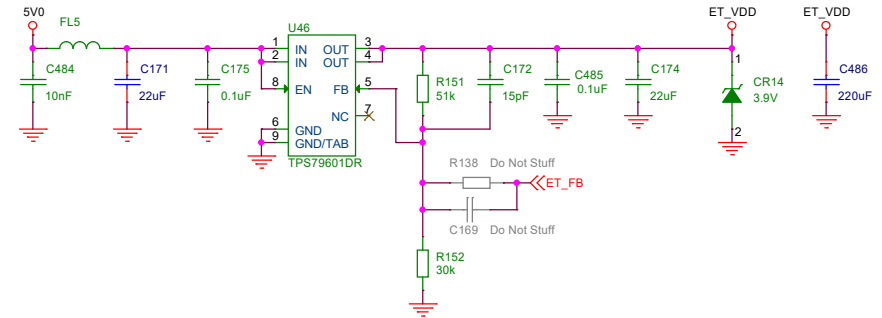
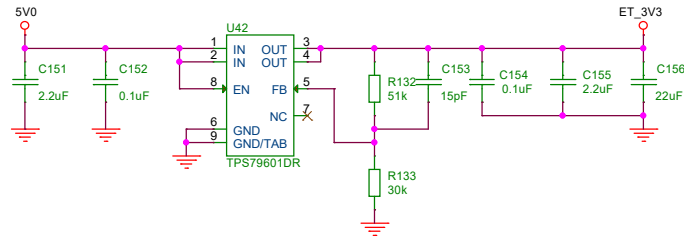



Calibration



Title: LAUNCHXL-CC1352P1		 TEXAS INSTRUMENTS
Drawn: RGW	PN: MCU041	
Checked:		
Size: A3	Rev: C	Sheet: 5 of 7
Date: Friday, June 28, 2019		

EnergyTrace Power Supply



Title: LAUNCHXL-CC1352P1		 TEXAS INSTRUMENTS
Drawn: RGW	PN: MCU041	
Checked:		
Size: A3	Rev: C	Sheet: 6 of 7
Date: Friday, June 28, 2019		

Mechanical

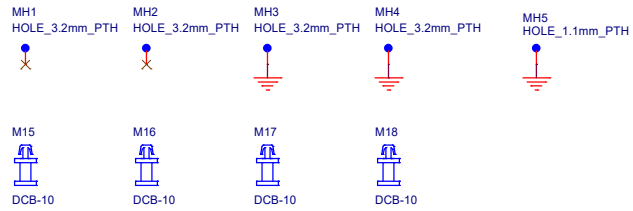
Jumpers

- P6:  
- P4:           
- P10: 

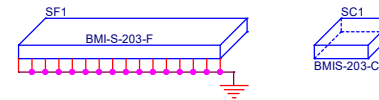
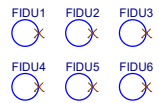
PCB



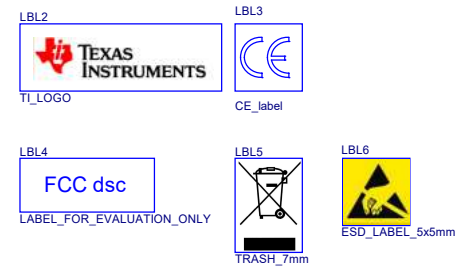
Mounting Holes



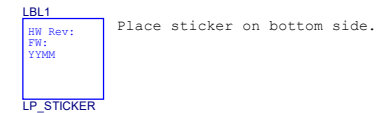
Fiducials




Labels



Stickers



Title: LAUNCHXL-CC1352P1		 TEXAS INSTRUMENTS	
Drawn: RGW		PN: MCU041	
Checked:			
Size: A3	Rev: C	Sheet: 7 of 7	
Date: Friday, June 28, 2019			