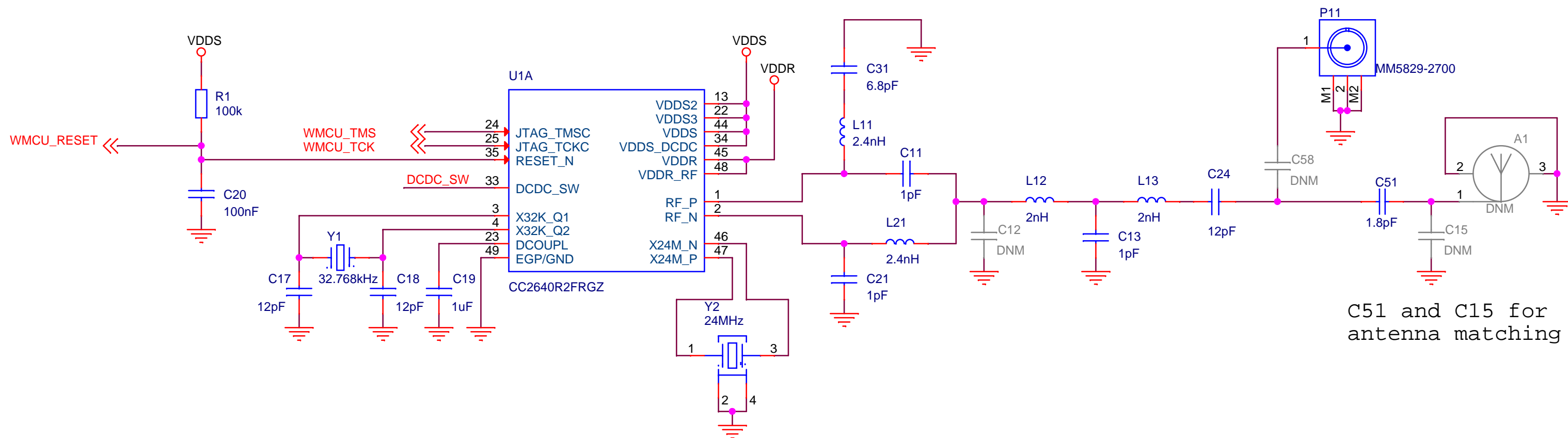
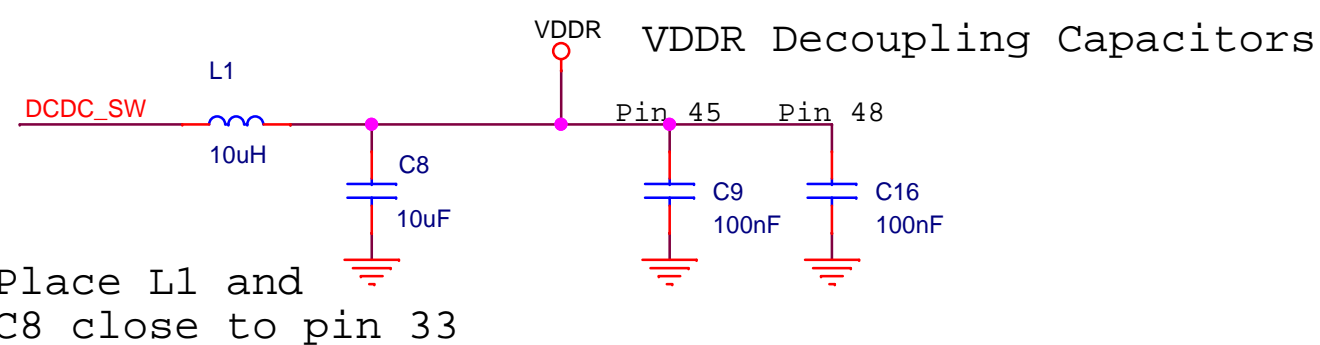
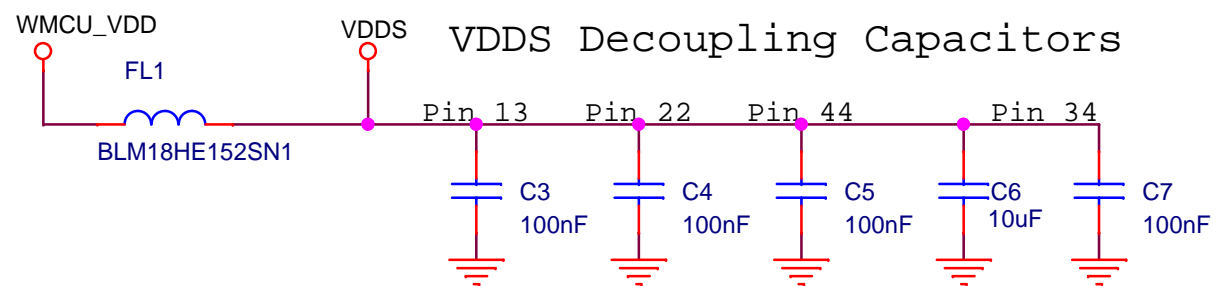


# Wireless MCU RF

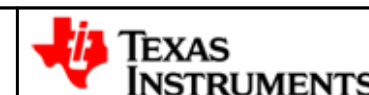


C51 and C15 for antenna matching

WCS030A

Standard

Title:  
**LAUNCHXL-CC2640R2**



Drawn:  
FGK, KHT

Checked:  
NN

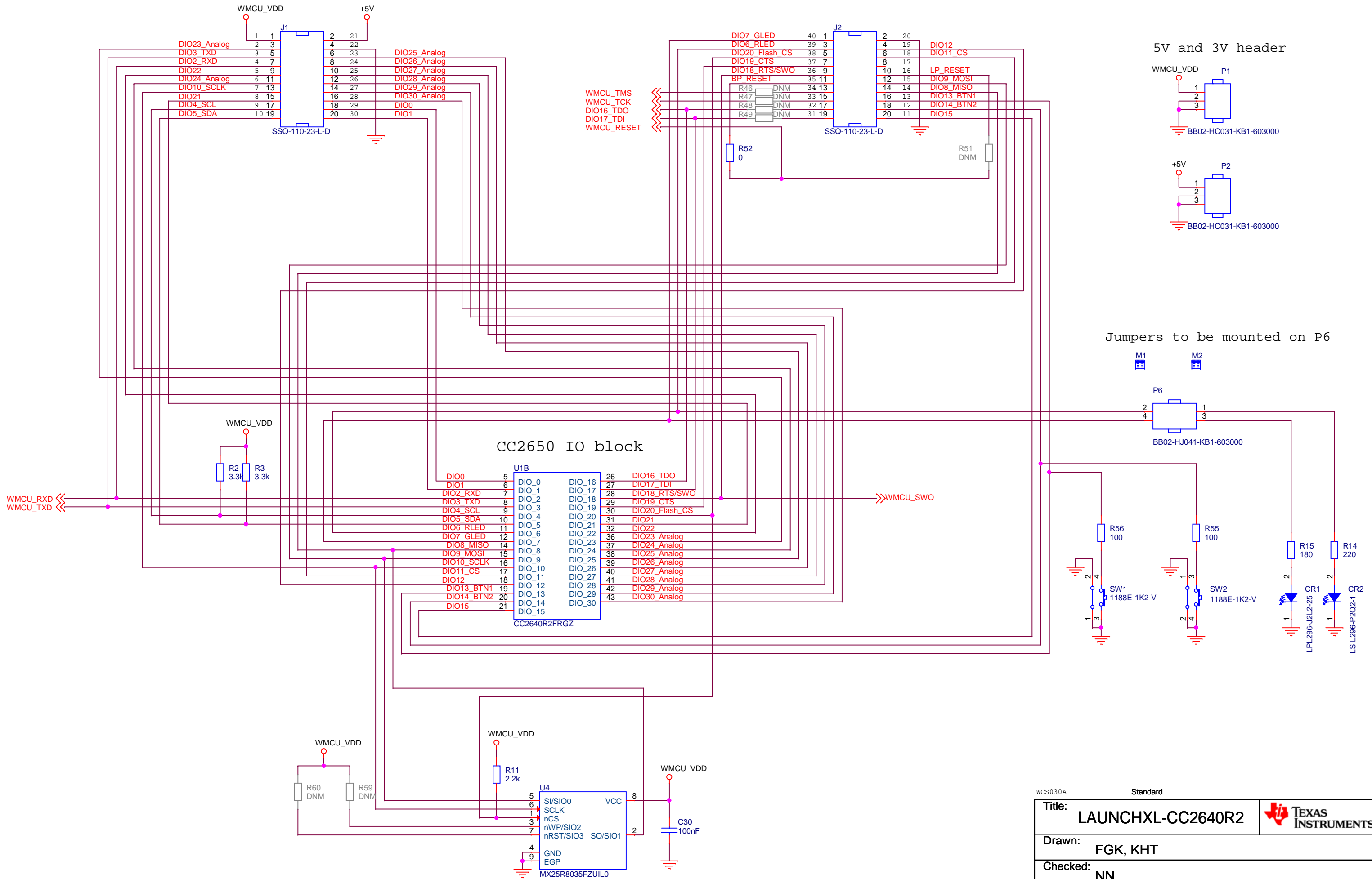
Size:  
A4

Rev:  
1.0.0

Sheet:  
1 of 5

Date: Monday, October 24, 2016

# BoosterPack Headers and Peripherals



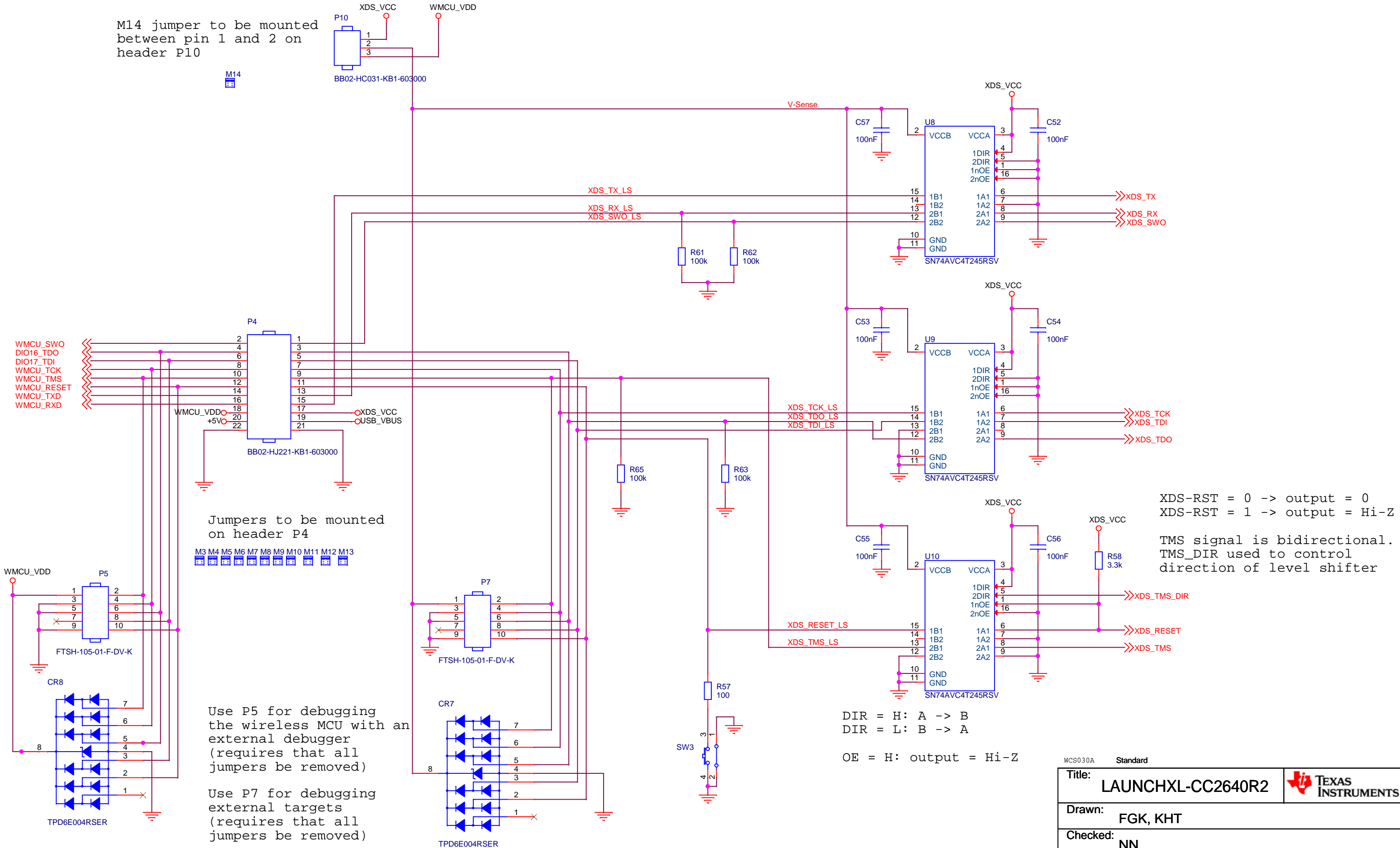
|          |    |                          |        |
|----------|----|--------------------------|--------|
| WCS030A  |    | Standard                 |        |
| Title:   |    | LAUNCHXL-CC2640R2        |        |
| Drawn:   |    | FGK, KHT                 |        |
| Checked: |    | NN                       |        |
| Size:    | A3 | Rev:                     | 1.0.0  |
|          |    | Sheet:                   | 2 of 5 |
| Date:    |    | Monday, October 24, 2016 |        |



# XDS110 Debugger Interface

P10 selects the voltage source for the level shifters  
 When powering the wireless MCU from the XDS supply, connect jumper between pins 1 and 2.  
 When powering the wireless MCU from the external supply, connect jumper between pins 2 and 3.

M14 jumper to be mounted between pin 1 and 2 on header P10



XDS-RST = 0 -> output = 0  
 XDS-RST = 1 -> output = Hi-Z

TMS signal is bidirectional.  
 TMS\_DIR used to control direction of level shifter

DIR = H: A -> B  
 DIR = L: B -> A

OE = H: output = Hi-Z

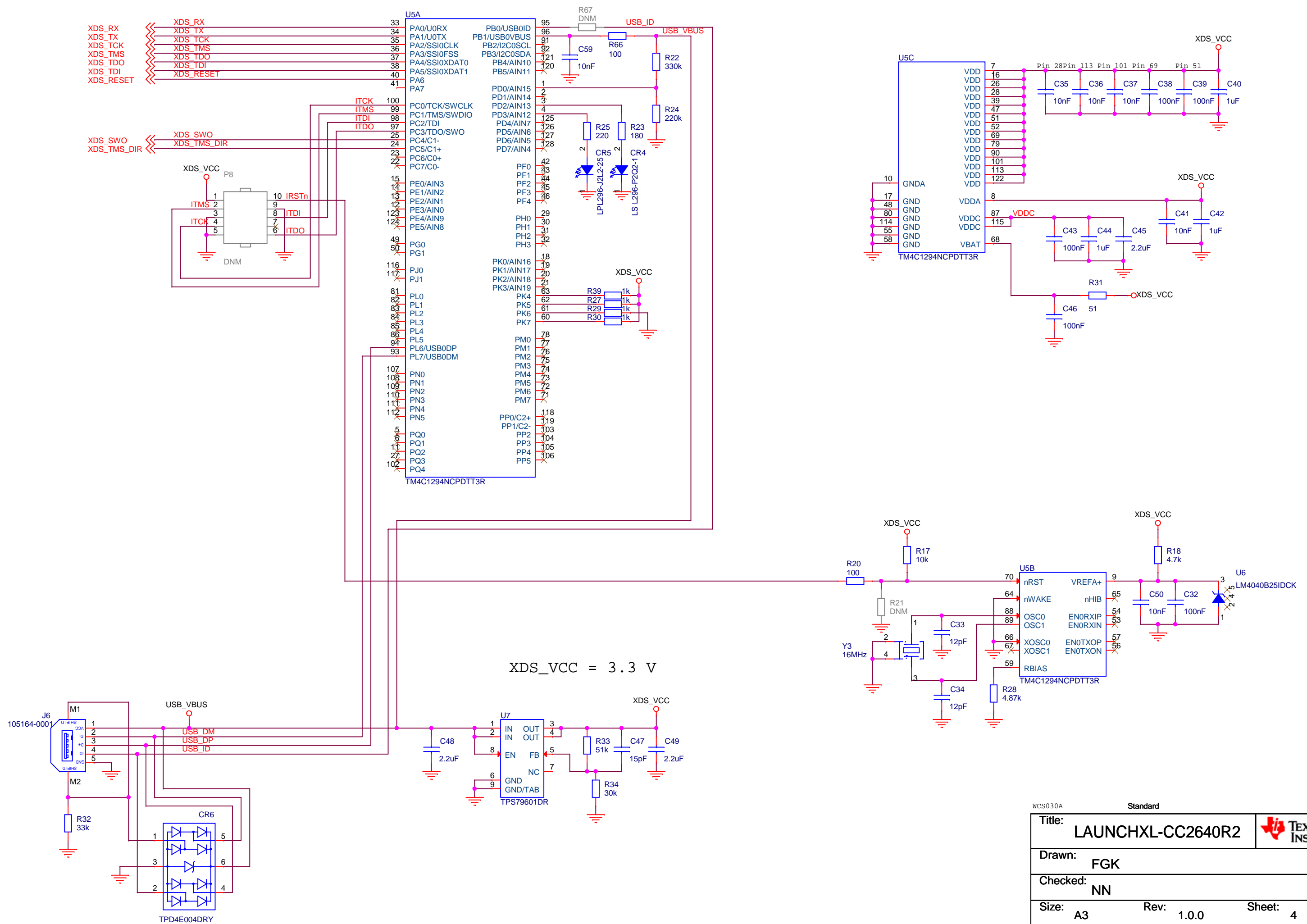
Jumpers to be mounted on header P4

Use P5 for debugging the wireless MCU with an external debugger (requires that all jumpers be removed)

Use P7 for debugging external targets (requires that all jumpers be removed)

|                  |                          |               |
|------------------|--------------------------|---------------|
| WCS030A Standard |                          |               |
| Title:           | LAUNCHXL-CC2640R2        |               |
| Drawn:           | FGK, KHT                 |               |
| Checked:         | NN                       |               |
| Size: A3         | Rev: 1.0.0               | Sheet: 3 of 5 |
| Date:            | Monday, October 24, 2016 |               |

# XDS110 Debugger



|                  |                          |
|------------------|--------------------------|
| WCS030A Standard |                          |
| Title:           | <b>LAUNCHXL-CC2640R2</b> |
| Drawn:           | FGK                      |
| Checked:         | NN                       |
| Size:            | A3                       |
| Rev:             | 1.0.0                    |
| Sheet:           | 4 of 5                   |
| Date:            | Monday, October 24, 2016 |



# Mechanical

MH5  
DNM



MH1  
DNM



MH2  
DNM



MH3  
DNM



MH4  
DNM



FIDU1



FIDU2



FIDU3



FIDU4



FIDU5



FIDU6



WCS030A

Standard

|                                |            |               |
|--------------------------------|------------|---------------|
| Title: LAUNCHXL-CC2640R2       |            |               |
| Drawn: KHT                     |            |               |
| Checked: NN                    |            |               |
| Size: A3                       | Rev: 1.0.0 | Sheet: 5 of 5 |
| Date: Monday, October 24, 2016 |            |               |